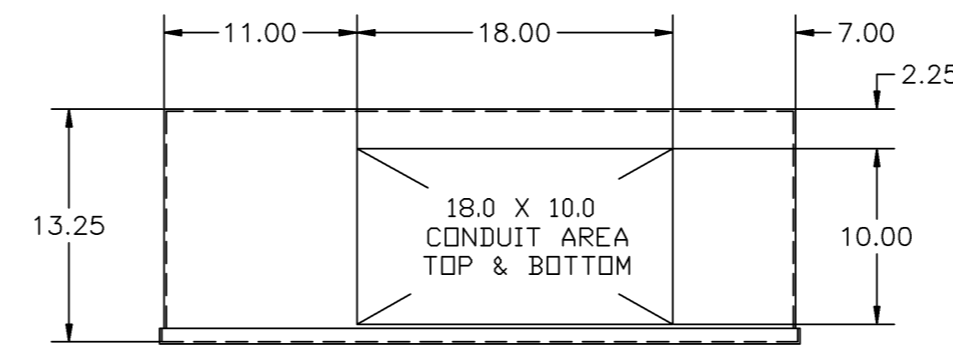
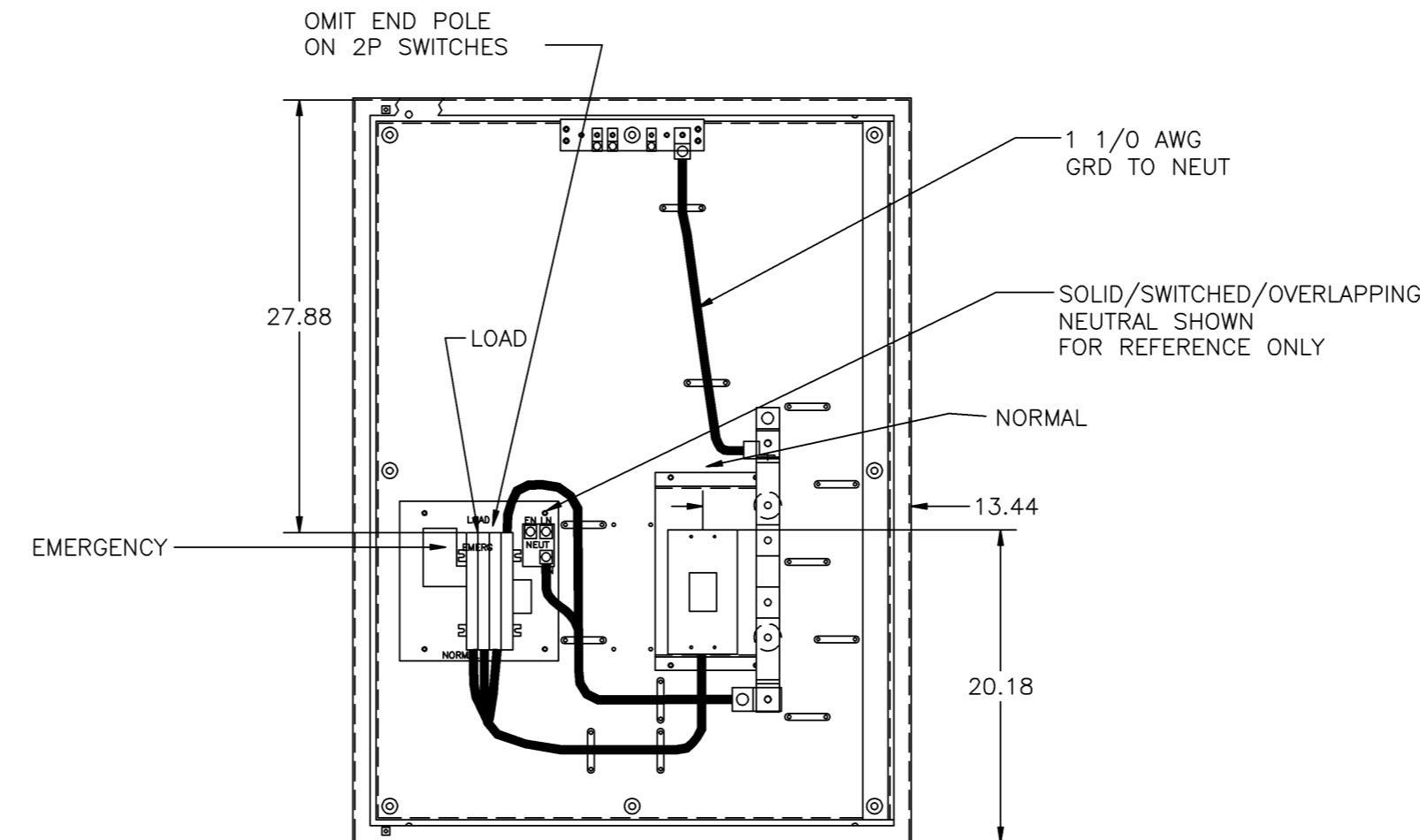


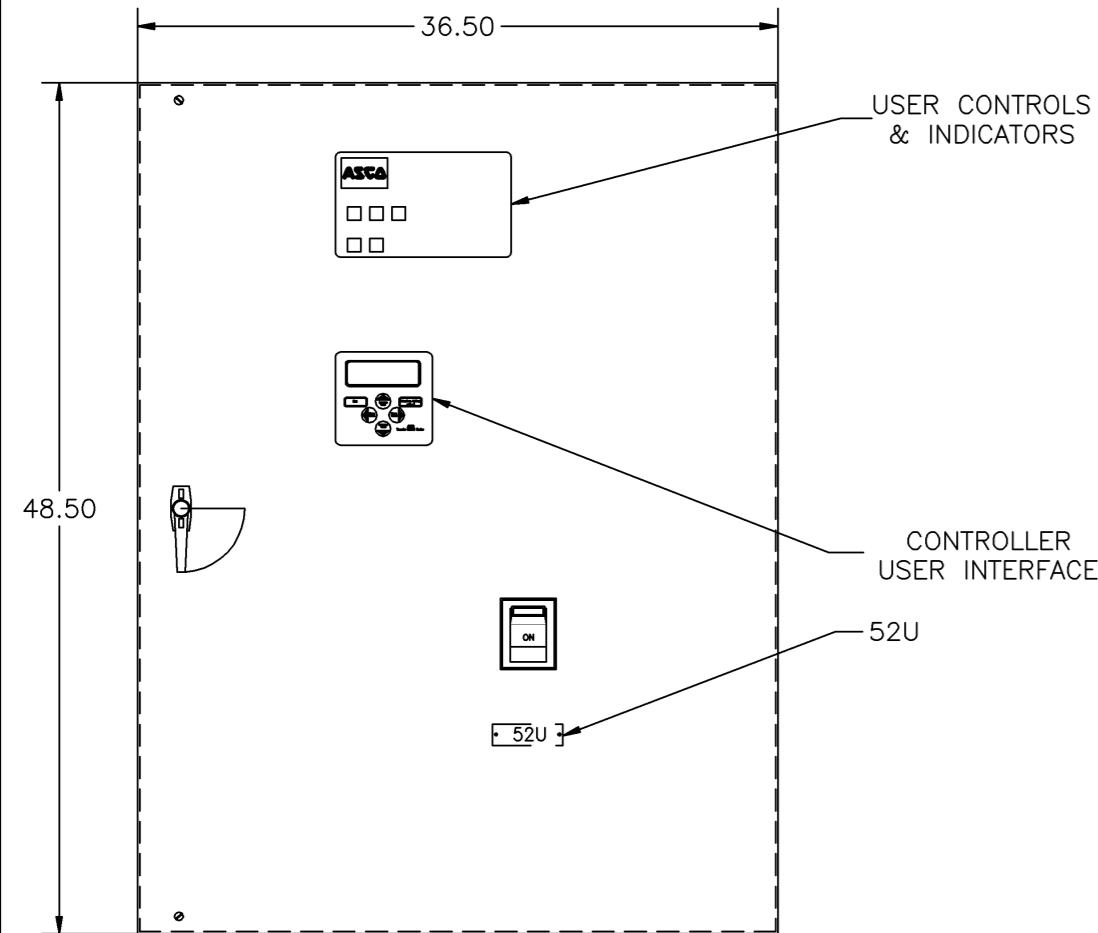
COMPOSITE OUTLINE FOR **ASCO** 7000 SERIES (D7AUS) & 300 SERIES (D3AUS) 70-225 AMPERE WITH SERVICE ENTRANCE BREAKER



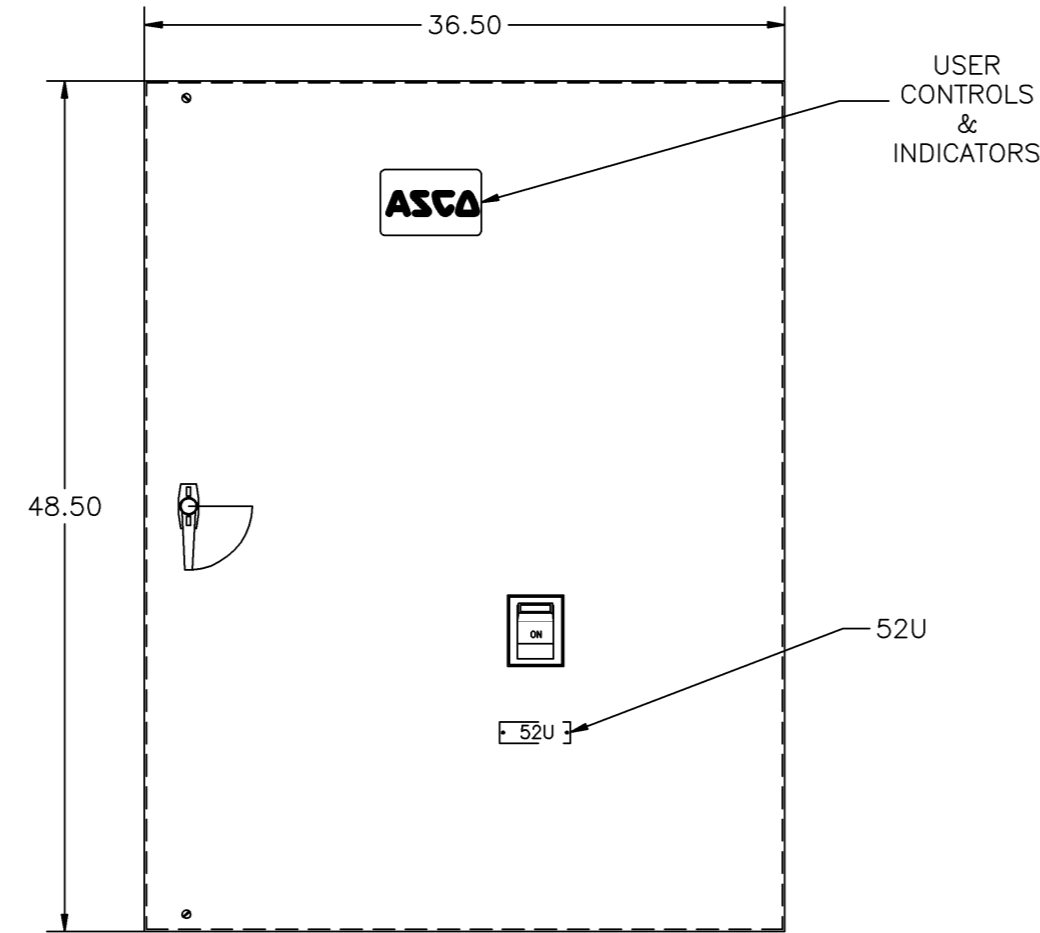
TOP VIEW



FRONT VIEW WITHOUT DOOR



FRONT VIEW 7000 SERIES



FRONT VIEW 300 SERIES

GENERAL NOTES

- TYPE 1 WALL MOUNTED ENCLOSURE.
- DOOR HAS KEY LOCKABLE HANDLE AND CAPTIVE SCREWS AS REQUIRED.
- FINISH: ANSI 61 GRAY POLYESTER SEMI GLOSS ELECTROSTATIC POWDER.
- RECOMMENDED CLEARANCES:  
FRONT: 36 INCHES
- ALL BUS IS SILVER-PLATED COPPER, BASED ON 1000A PER SQ. IN. DENSITY.
- A FULL RATED NEUTRAL CONNECTION FOR EACH SOURCE AND THE LOAD IS OPTIONAL. WHEN PROVIDED IT IS IN ONE OF THE FOLLOWING FORMATS AS SPECIFIED BY THE CATALOG NO. NEUTRAL TYPE:  
A. SOLID (COPPER BUS) NEUTRAL (PROVIDED STANDARD ON D3AUS)  
B. SWITCHED NEUTRAL POLE  
C. OVERLAPPING NEUTRAL POLE
- DESIGNED FOR FRONT ACCESS ONLY.
- FOR SPECIFIED TRANSFER SWITCH, REFER TO OPERATOR'S MANUAL PROVIDED WITH UNIT.

SPECIFICATIONS

- SERVICE VOLTAGE:  
SYSTEM RATING: 70 AMPS, 80 AMPS, 90 AMPS, 100 AMPS, 110 AMPS, 125 AMPS, 150 AMPS, 175 AMPS, 200 AMPS, 225 AMPS 3ø, 4W OR 1ø, 3W.  
GROUND BUS- 100 AMPS  
SHORT CIRCUIT RATING- 22,000 RMS SYM AMPERES @ 480V.  
THE EMERGENCY SOURCE INPUT MUST BE PROTECTED BY A REMOTE OVERCURRENT PROTECTION DEVICE AS LISTED ON THE MARKINGS ON THE TRANSFER SWITCH.
- BATTERY VOLTAGE: N/A
- NEUTRAL BUS: A FULL RATED NEUTRAL IS PROVIDED.
- APPLICABLE LABELS: U.L. 1008- SUITABLE ONLY FOR USE AS SERVICE EQUIPMENT.

NOTES 70-150 AMPS

- SUPPLIED WITH STANDARD MECHANICAL (SCREW TYPE) LUGS ON THE EMERGENCY & LOAD BUS STABS. ONE (1) LUG PER PHASE AND NEUTRAL EACH SUITABLE FOR CONNECTION OF (1) #14 TO 4/0 AWG CU/AL CABLE (SEE NOTE "A" BELOW).  
A. SUITABLE WIRE BENDING SPACE IS PROVIDED FOR UP TO ONE (1) 4/0 AWG CABLE PER TERMINAL PER NEC.
- FACTORY WIRING: (1) 1/0 AWG PER PHASE AND NEUTRAL
- GROUND LUGS ARE PROVIDED STANDARD AS FOLLOWS:  
70-100 AMPS: (3) #14- 1/0 AWG CU/AL CABLE  
150 AMPS: (3) #6 AWG- 250 MCM CU/AL CABLE
- NORMAL CABLE CONNECTIONS SUITABLE FOR (1) #4 AWG TO 350 MCM PER ø AND NEUTRAL.

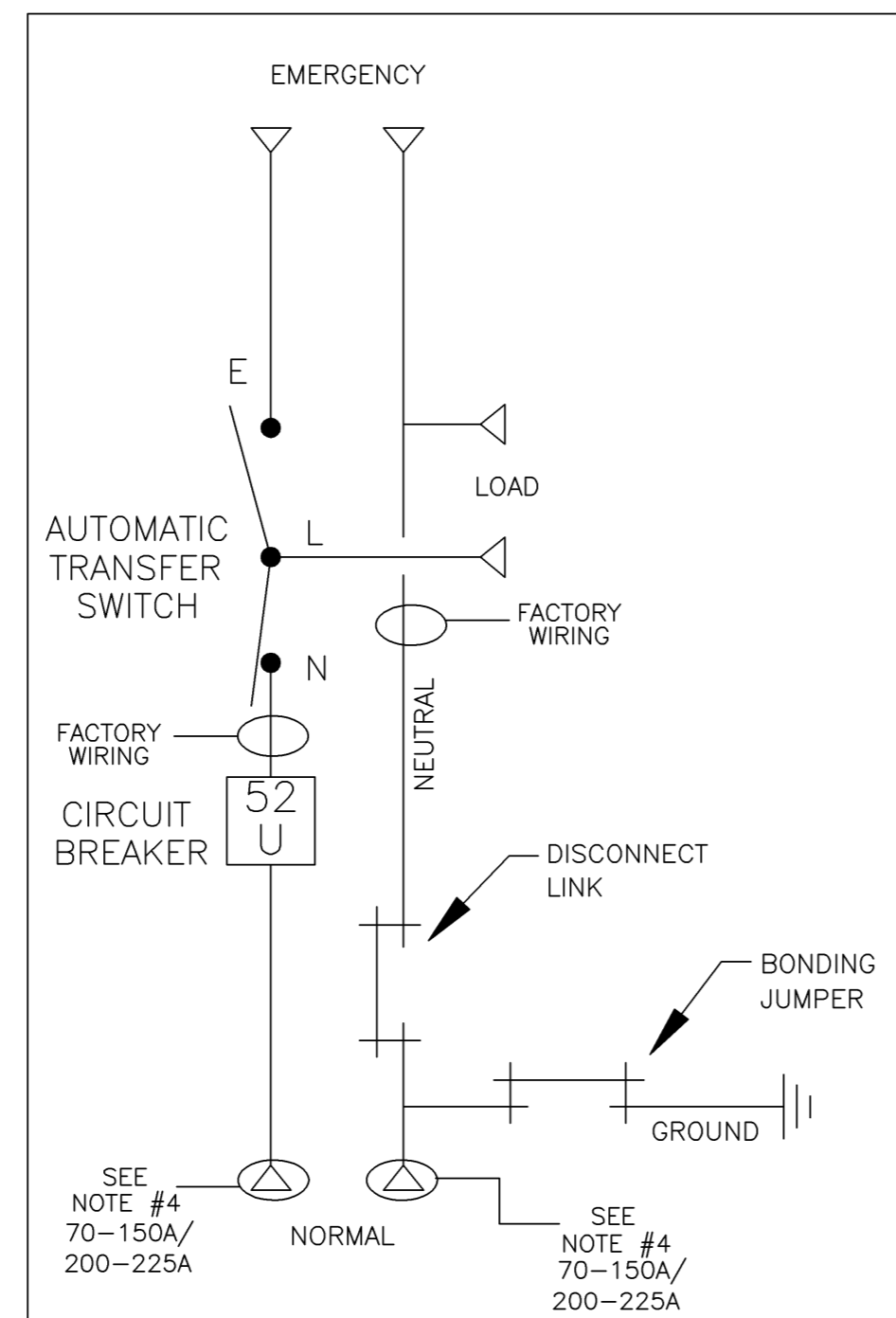
NOTES 175-225 AMPS

- SUPPLIED WITH STANDARD MECHANICAL (SCREW TYPE) LUGS ON THE EMERGENCY & LOAD BUS STABS. ONE (1) LUG PER PHASE AND NEUTRAL EACH SUITABLE FOR CONNECTION OF (1) #14 TO 4/0 AWG CU/AL CABLE (SEE NOTE "A" BELOW).  
A. SUITABLE WIRE BENDING SPACE IS PROVIDED FOR UP TO ONE (1) 4/0 AWG CABLE PER TERMINAL PER NEC.
- FACTORY WIRING: (1) 4/0 AWG PER PHASE AND NEUTRAL
- GROUND LUGS ARE PROVIDED STANDARD AS FOLLOWS:  
(3) #6 AWG- 250 MCM CU/AL CABLE
- NORMAL CABLE CONNECTIONS SUITABLE FOR (1) #4 AWG TO 350 MCM PER ø AND NEUTRAL.

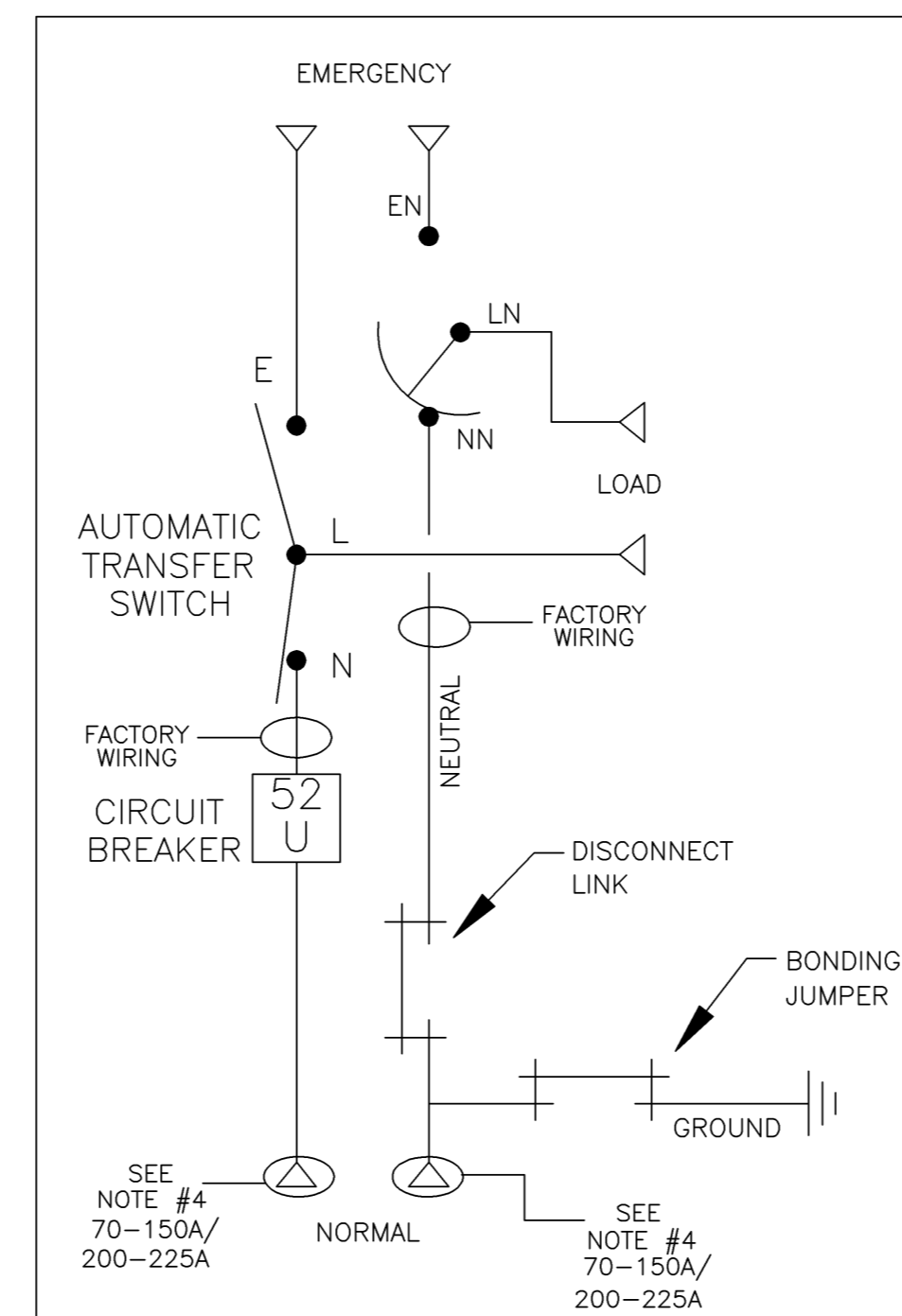
CIRCUIT BREAKER: ITEM 52U

SQUARE "D" TYPE 'KAL', 250AF/70AT, 250AF/80AT, 250AF/90AT, 250AF/100AT, 250AF/110AT, 250AF/125AT, 250AF/150AT, 250AF/175AT, 250AF/200AT, OR 250AF/225AT THERMAL-MAGNETIC MOLDED CASE CIRCUIT BREAKER.

ONE LINE DIAGRAMS



(WITH SOLID NEUTRAL)



(WITH SWITCHED/OVERLAPPING NEUTRAL)

H	217983	AE	WK	4/16/08
	SEE ECN			
G	217983	AE	WK	4/16/08
	SEE ECN			
F	216641	AE	WK	1/10/08
	SEE ECN			
E	209449	KH	WK	8/1/06
	SEE ECN			
D	203757	KH	BK	3/14/05
	SEE ECN			
C	203477	CC	BK	02/05
	SEE ECN			
B	201381	TR	WK	8/11/04
	SEE ECN			
A	167505	AE	WK	7/02/04
	SEE ECN			
-	166839	AMS	WK	4/16/04
	ISSUED			

PROJECT NAME: SERVICE ENTRANCE 70-225A, TYPE 1 ENCLOSURE		REV. TO SHEET	ECN NO.	BY	APP.	DATE
OUTLINE MOUNTING						
SERVICE ENTRANCE 70-225A						
D7AUS/D3AUS						
DRAWN BY	AMS	DATE	4/16/04	MANUFACTURING TOLERANCES TO BE IN ACCORDANCE WITH ASCO PROCEDURE MP-1-003. FOR PLASTIC PARTS SEE MP-1-005.	ASSEM. REF. NO.	COMPUTER GENERATED DRAWING
CHECKED	BK	DATE	4/16/04	PROPERTY OF ASCO POWER TECHNOLOGIES. USE PERMITTED FOR OUR WORK ONLY. ALL RIGHTS OF DESIGN OR INVENTION ARE RESERVED.		SCALE 1:1 SIZE DS
PROJECT APPROVAL	WK	DATE	4/16/04			DWG. NO. 754575
FINAL APPROVAL						DRAWING H NO. 217983 SHEET H OF 1

**ASCO** ASCO POWER TECHNOLOGIES, L.P.  
FLORHAM PARK, NEW JERSEY 07932 U.S.A.