

PIO44F
Winding 06

STAMFORD

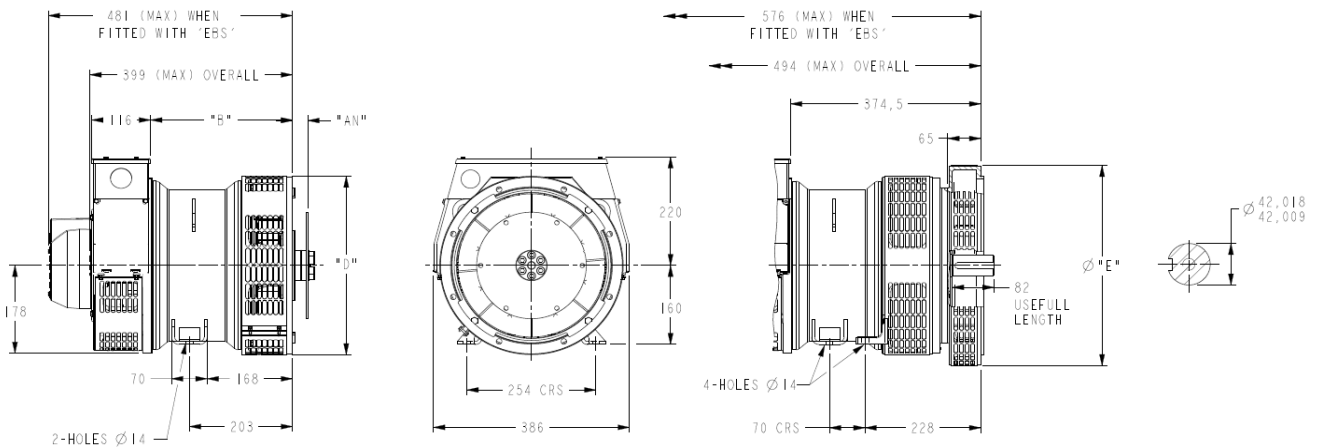
60Hz

RATINGS

Class - Temp Rise	Cont. F - 105/40°C 0.8pf			Cont. H - 125/40°C 0.8pf			Standby - 150/40°C 0.8pf			Standby - 163/27°C 0.8pf		
	Series (V)	220	230	240	220	230	240	220	230	240	220	230
Parallel (V)	110	115	120	110	115	120	110	115	120	110	115	120
kVA	8.8	9.2	9.5	9.6	10.1	10.5	10.4	10.9	11.3	10.6	11.1	11.5
kW	7.0	7.4	7.6	7.7	8.1	8.4	8.3	8.7	9.0	8.5	8.9	9.2
Efficiency (%)	71.9	72.1	72.3	71.8	72.0	72.2	71.6	71.8	72.1	71.6	71.8	72.0
kW Input	9.7	10.3	10.5	10.7	11.3	11.6	11.6	12.1	12.5	11.9	12.4	12.8

Class - Temp Rise	Cont. F - 105/40°C 1.0pf			Cont. H - 125/40°C 1.0pf			Standby - 150/40°C 1.0pf			Standby - 163/27°C 1.0pf		
	Series (V)	220	230	240	220	230	240	220	230	240	220	230
Parallel (V)	110	115	120	110	115	120	110	115	120	110	115	120
kVA	11.3	11.3	11.3	12.5	12.5	12.5	13.5	13.5	13.5	13.8	13.8	13.8
kW	11.3	11.3	11.3	12.5	12.5	12.5	13.5	13.5	13.5	13.8	13.8	13.8
Efficiency (%)	76.8	77.3	77.6	76.4	76.9	77.3	75.9	76.5	77.0	75.8	76.4	76.9
kW Input	14.7	14.6	14.6	16.4	16.3	16.2	17.8	17.6	17.5	18.2	18.1	17.9

DIMENSIONS



COUPLING DISC	
SAE	"AN"
6.5	30.2
7.5	30.2
8	62
10	53.8
11.5	39.6

1-BRG ADAPTORS	
SAE	"D"
5	361
4	405
3	451
2	489

8-HOLES SPACED AS 12
8-HOLES SPACED AS 12

2-BRG ADAPTORS	
SAE	Ø "E"
5	359
4	406
3	455
2	493