

FOR INDIVIDUAL GEN-SET MODEL TYPES
SEE BORADCROWN LITERATURE

ENGINE TYPE: YANMAR 4TNV88

ALTERNATOR: PI 144 D SAE 4 (Illustrated)

USEABLE FUEL CAPACITY:

SHIPPING WEIGHT WITH OIL:

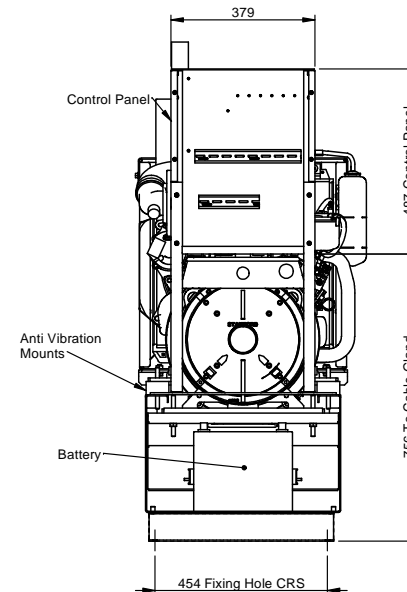
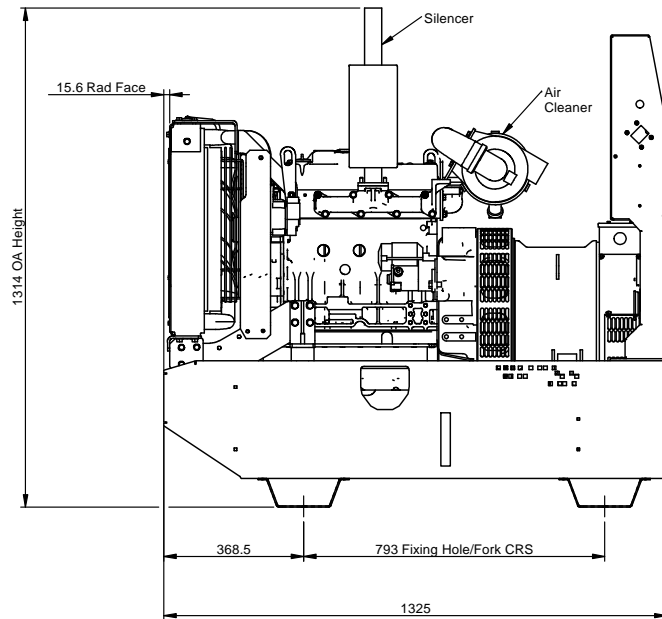
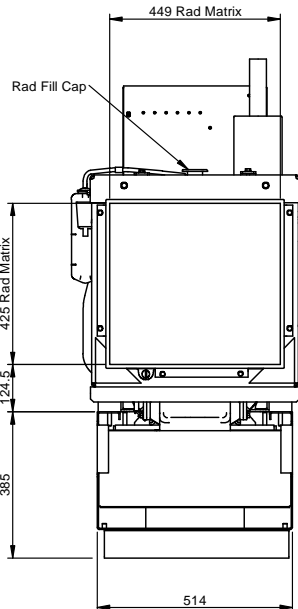
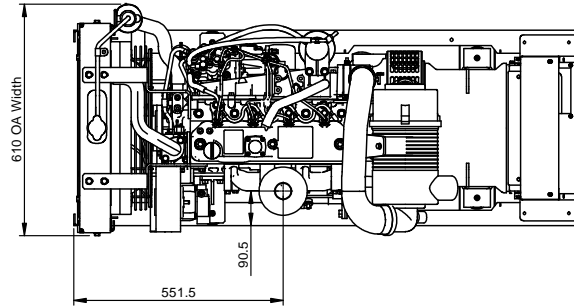
WET WEIGHT 50/50 GLYCOL & FUEL:

OIL CAPACITY: 7.4L

COOLING CAPACITY: 4.9L

GENERATOR IS TO BE PLACED ON A FLAT
FLOOR OR CONCRETE BASE

PLEASE NOTE WEIGHTS MAY VARY
DEPENDING ON ALTERNATOR COMBINATION



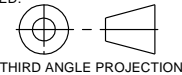
| | | | |
|---|-------------|-----|---------|
| A | New Drawing | SJB | 22/6/10 |
|---|-------------|-----|---------|

| REV | DETAILS | APP'D | DATE |
|-----|---------|-------|------|
|-----|---------|-------|------|

NOTES - MECHANICAL

TOLERANCES:
GENERAL TOLERANCES: +/- 5mm
FABRICATION: +/- 3mm
HOLE CENTRES: +/- 1mm
OTHER TOLERANCES AS OTHERWISE
STATED WHERE REQUIRED

GEOMETRICAL AND OTHER TOLERANCES
AS STATED.



DESCRIPTION

Yanmar 3TNV MOF1 Open Set Sales GA

SHEET 1 of 1

CREATED BY: P RUTTER

DATE: 04/02/08

MODIFIED BY: S BEAN

DATE: 24/1/12

CHECKED BY: P RUTTER

DATE: 24/1/12

ISSUE: A

DRAWING No:

YGA020

broadcrown
Broadcrown Limited (Group Headquarters)
Airfield Industrial Estate, Hixon, Stafford,
ST18 0PF, United Kingdom.
tels: +44 (0) 1889 272200
www.broadcrown.com

| | |
|-----------|--|
| MATERIAL: | |
| FINISH: | |