

FOR INDIVIDUAL GEN SET MODEL TYPES SEE BROADCAST LITERATURE

USEABLE FUEL CAPACITY:

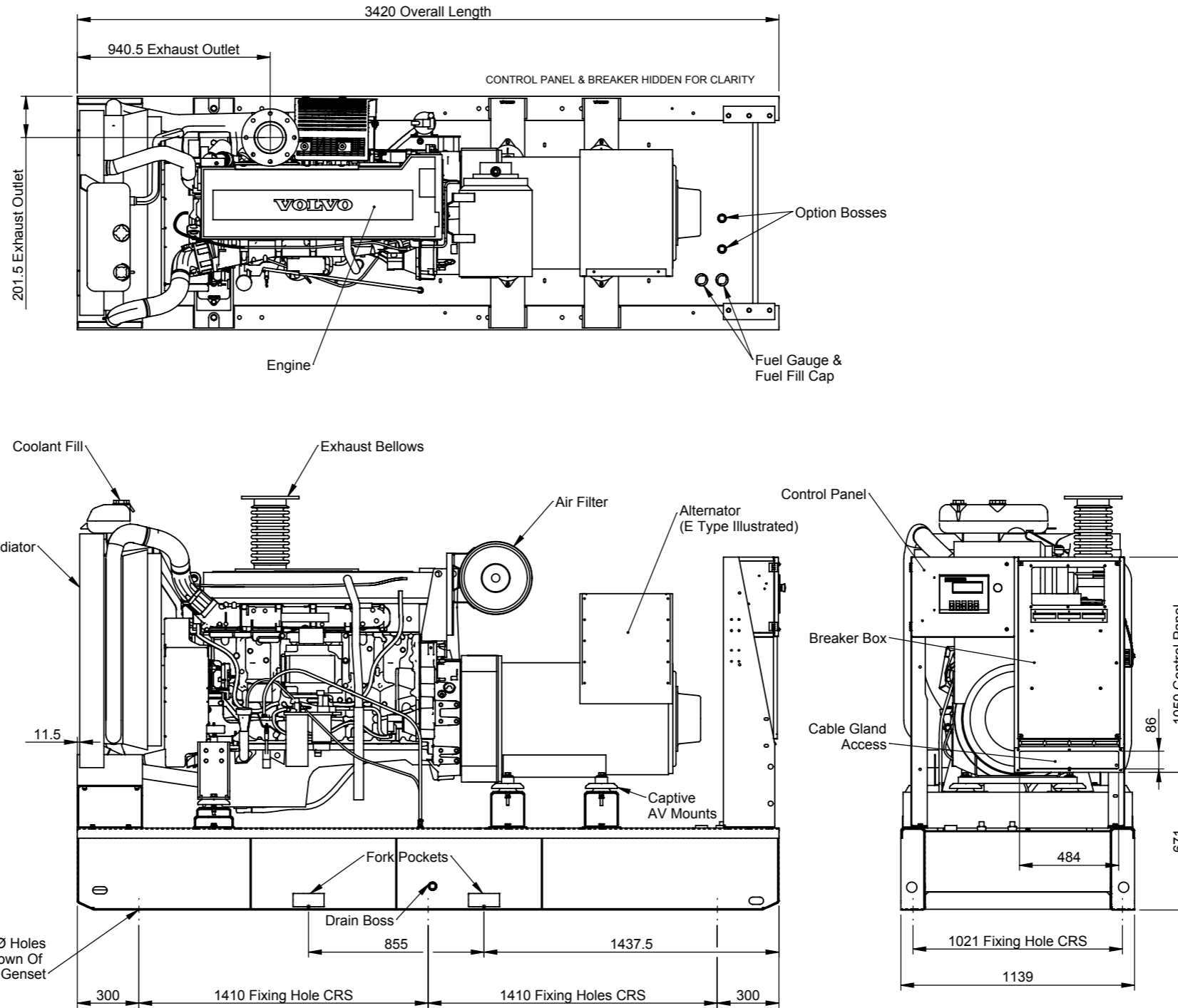
INTEGRAL = 711L
 BUNDED = 642L

OIL CAPACITY = 36L

COOLING CAPACITY = 44L

GENERATOR IS TO BE PLACED ON A FLAT FLOOR OR CONCRETE BASE

Gen Set Model	Engine	Alternator	Weight (Dry)	Weight (Wet)
BCV350-60	TAD1352GE	HCI 444 E	3657Kg	4241Kg
BCV250-60 T3 (F)	TAD1350GE	HCI 444 C	3483Kg	4067Kg
BCV300-60 T3 (F)	TAD1351GE	HCI 444 D	3573Kg	4157Kg



B	REVISED TO REFLECT OF6 EXTENSION	IWR	23/04/12
---	----------------------------------	-----	----------

REV	DETAILS	APP'D	DATE
-----	---------	-------	------

NOTES - MECHANICAL

TOLERANCES:

GENERAL TOLERANCES: +/- 5mm
 FABRICATION: +/- 3mm
 HOLE CENTRES: +/- 1mm
 OTHER TOLERANCES AS OTHERWISE STATED WHERE REQUIRED

GEOMETRICAL AND OTHER TOLERANCES AS STATED.

THIRD ANGLE PROJECTION

DESCRIPTION:
 TAD1350/51/52-HCI444 C/D/E
 60Hz Sales Assy Drawings

SHEET 1 of 1

CREATED BY:	S BEAN
DATE:	15/2/12
MODIFIED BY:	I RUTTER
DATE:	23/04/12
CHECKED BY:	P RUTTER
DATE:	15/2/12
ISSUE:	B

DRAWING No
VGA025

broadcrown

Broadcrown Limited (Newtown Production Facility)
 Unit 38, Mochdre Industrial Park, Newtown,
 Powys, SY16 4LE, United Kingdom.
 tel: +44 (0) 1686 629888
 www.broadcrown.com

MATERIAL:	
FINISH:	