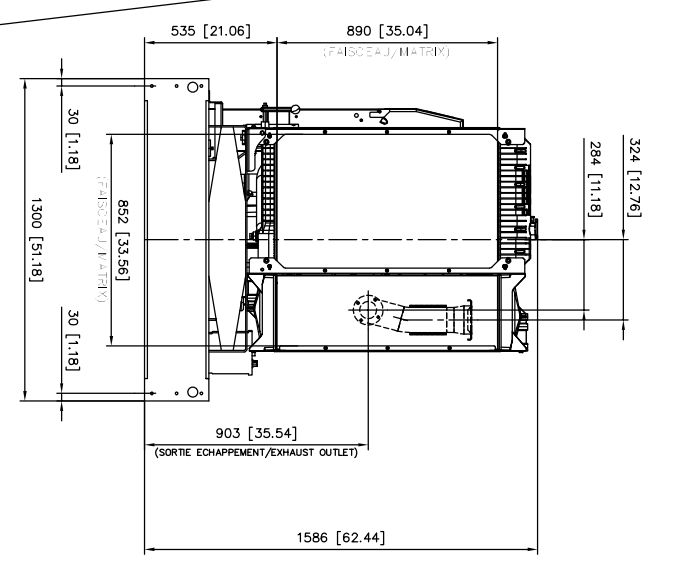
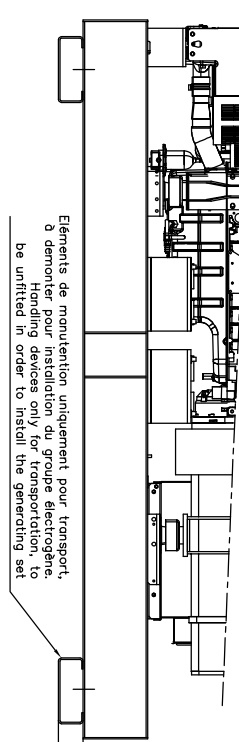
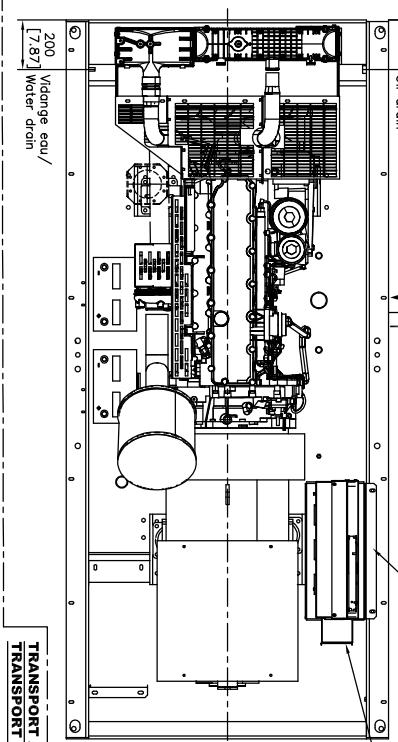
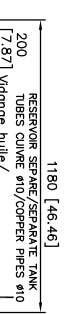
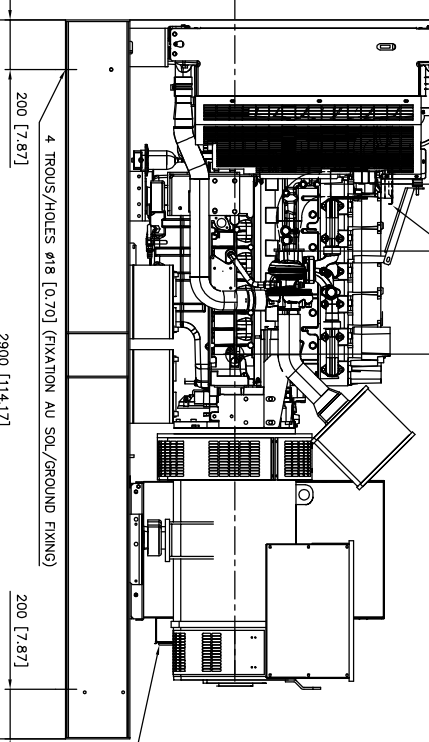
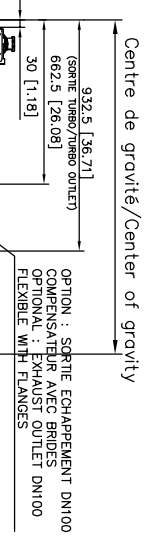


Ce plan vous est remis à titre indicatif et peut être révisé sans préavis
This drawing is for informational purposes only and maybe changed without notice



MOTEUR/ENGINE		MASSSE/WEIGHT (Kg/Lbs)	
TA0734G	LSA 462 L6	2200/4950	2130/4695
TA0734G	LSA 462 L6	2200/4950	2130/4695
TA0734G	LSA 462 L9	2650/5842	2190/4828

MOTEUR/ENGINE		MASSSE/WEIGHT (Kg/Lbs)	
TA0734G	LSA462L6	1348/53.07	1491/58.7
TA0734G	LSA462L9	1387/54.6	1537/60.51

MOTEUR/ENGINE		MASSSE/WEIGHT (Kg/Lbs)	
TA0734G	LSA462L6	1348/53.07	1491/58.7
TA0734G	LSA462L9	1387/54.6	1537/60.51

MOTEUR/ENGINE		MASSSE/WEIGHT (Kg/Lbs)	
TA0734G	LSA462L6	1348/53.07	1491/58.7
TA0734G	LSA462L9	1387/54.6	1537/60.51