

REV	DATE	ON COMPOSITE DWGS. SEE PART NO. FOR REVISION LEVEL	BY	UNLESS OTHERWISE SPECIFIED - 1) DIMENSIONS ARE IN MILLIMETERS 2) TOLERANCES ARE: X.XX ± X.X ± ANGLES ±	SURFACE FINISH MAX.
-	12-22-14	NEW DRAWING [CT101550]	BGW		

**KOHLER CO.** METRIC PRO-E  
 POWER SYSTEMS, KOHLER, WI 53044 U.S.A.  
 THIS DRAWING IN DESIGN AND DETAIL IS KOHLER CO. PROPERTY AND MUST NOT BE USED EXCEPT IN CONNECTION WITH KOHLER CO. WORK. ALL RIGHTS OF DESIGN OR INVENTION ARE RESERVED.

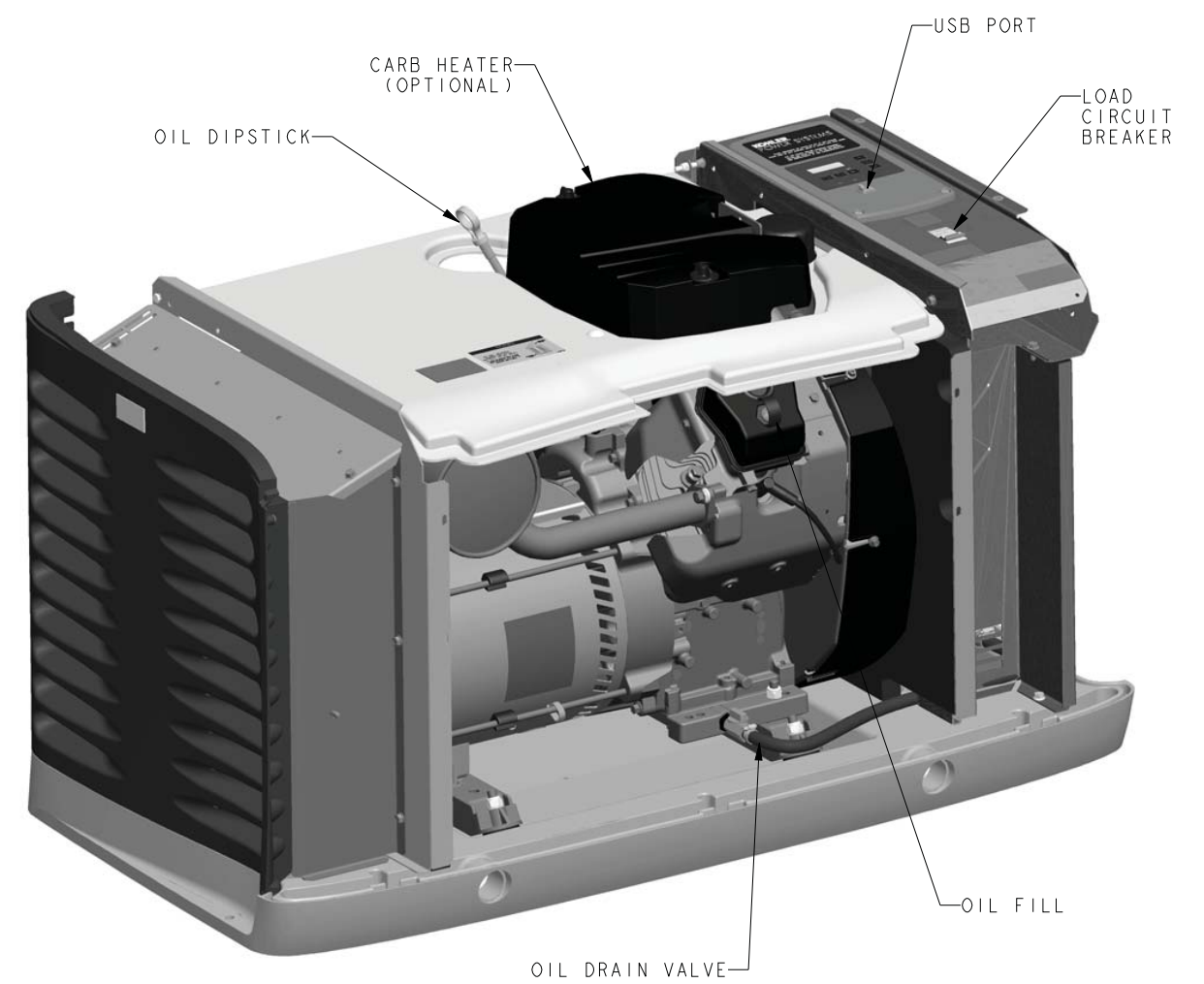
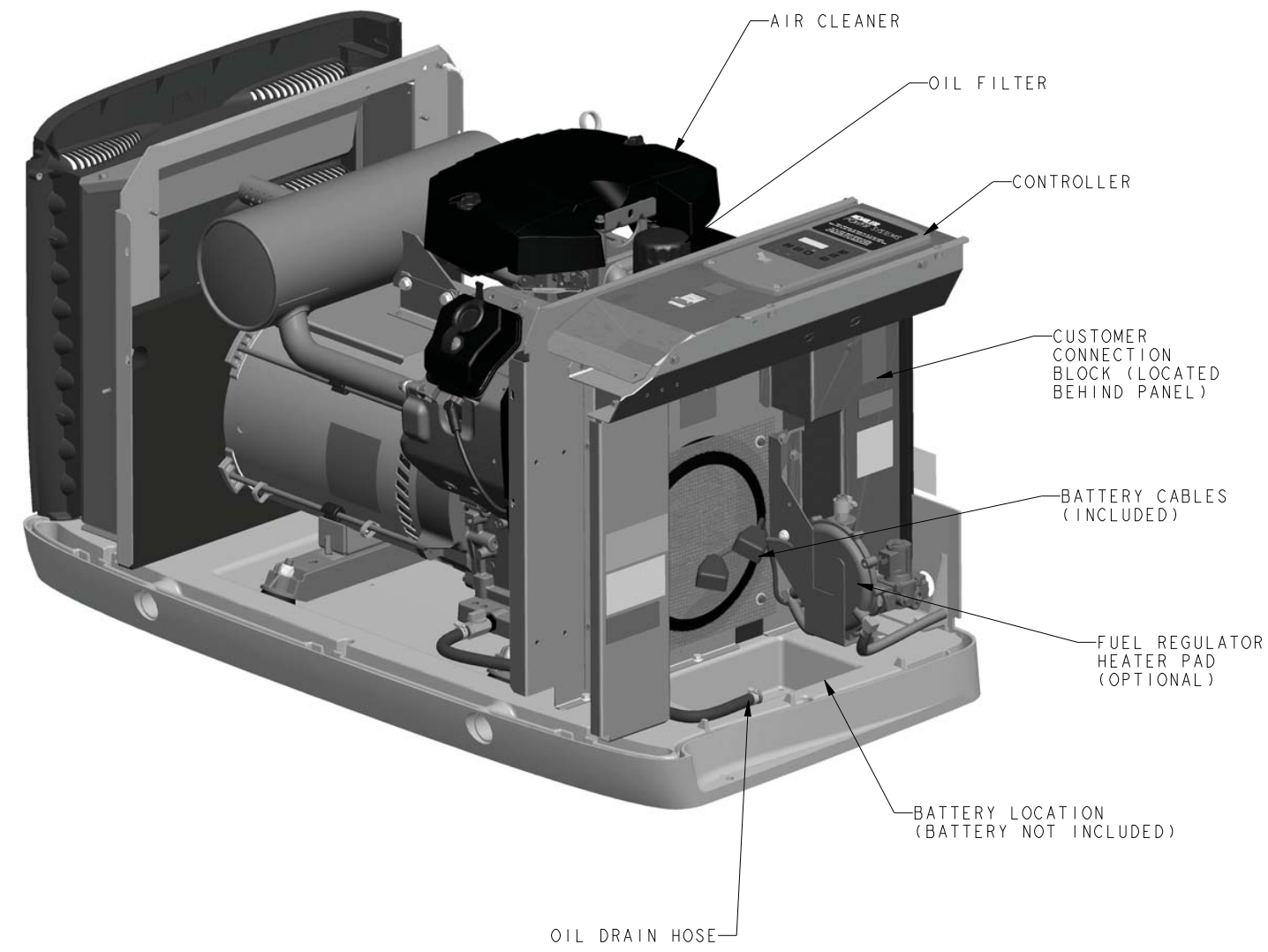
**TITLE**  
 DIMENSION PRINT, 20RESC

SCALE 0.16 CAD NO. SHEET 1 of 4  
 DWG NO. ADV-8754 D

8 7 6 5 4 3 2 1

D  
C  
B  
A

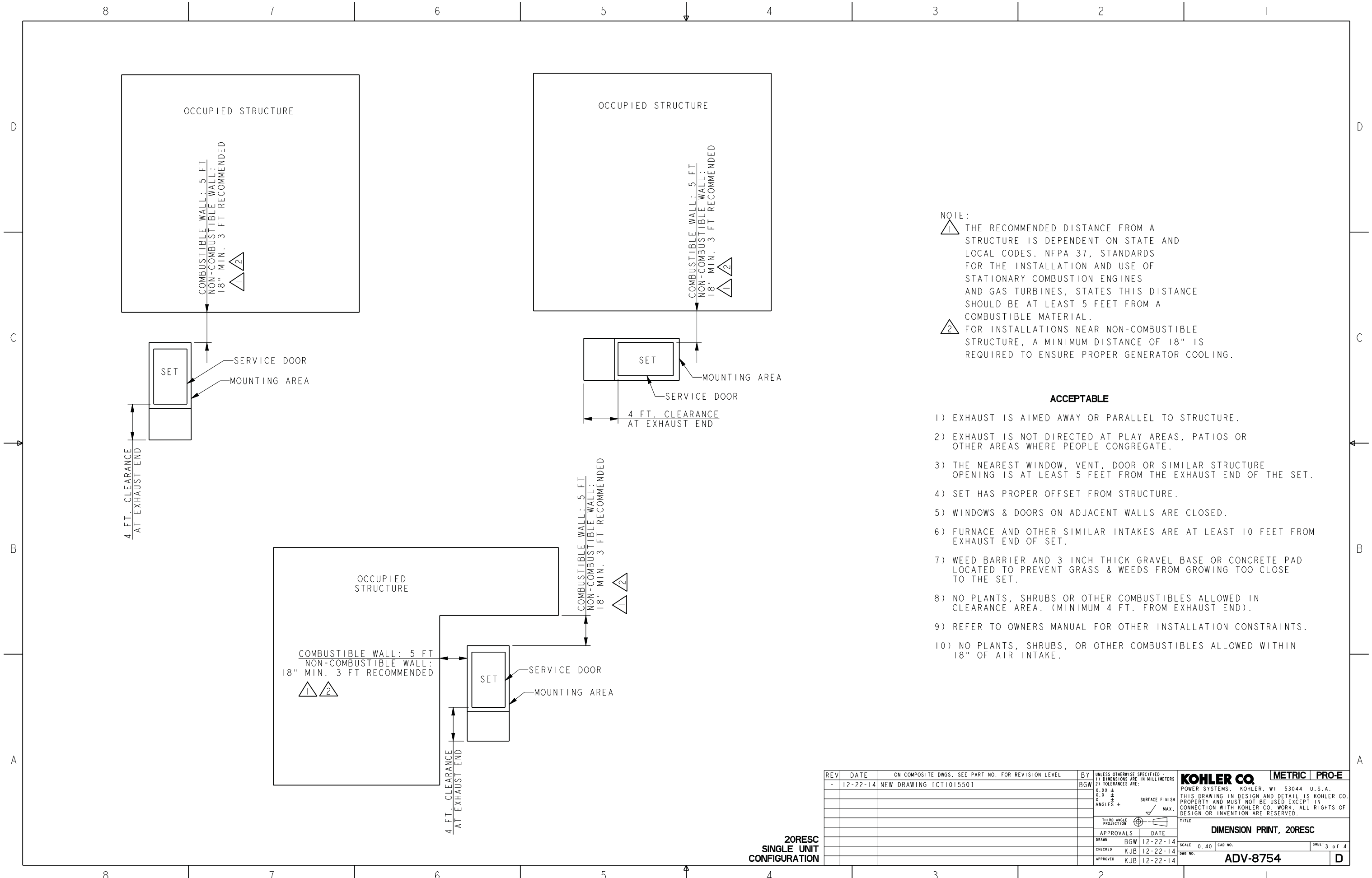
D  
C  
B  
A



20RESC

REV	DATE	ON COMPOSITE DWGS. SEE PART NO. FOR REVISION LEVEL	BY	UNLESS OTHERWISE SPECIFIED - 1) DIMENSIONS ARE IN MILLIMETERS 2) TOLERANCES ARE: X.XX ± X.X ± ANGLES ±	SURFACE FINISH MAX.	<b>KOHLER CO.</b> METRIC PRO-E POWER SYSTEMS, KOHLER, WI 53044 U.S.A. THIS DRAWING IN DESIGN AND DETAIL IS KOHLER CO. PROPERTY AND MUST NOT BE USED EXCEPT IN CONNECTION WITH KOHLER CO. WORK. ALL RIGHTS OF DESIGN OR INVENTION ARE RESERVED.
-	12-22-14	NEW DRAWING [CT101550]	BGW			TITLE <b>DIMENSION PRINT, 20RESC</b>
			THIRD ANGLE PROJECTION			SCALE 0.25 CAD NO. SHEET 2 of 4
			APPROVALS	DATE		
			DRAWN	BGW	12-22-14	
			CHECKED	KJB	12-22-14	
			APPROVED	KJB	12-22-14	
						DWG NO. <b>ADV-8754</b>

8 7 6 5 4 3 2 1



**NOTE:**

- 1) THE RECOMMENDED DISTANCE FROM A STRUCTURE IS DEPENDENT ON STATE AND LOCAL CODES. NFPA 37, STANDARDS FOR THE INSTALLATION AND USE OF STATIONARY COMBUSTION ENGINES AND GAS TURBINES, STATES THIS DISTANCE SHOULD BE AT LEAST 5 FEET FROM A COMBUSTIBLE MATERIAL.
- 2) FOR INSTALLATIONS NEAR NON-COMBUSTIBLE STRUCTURE, A MINIMUM DISTANCE OF 18" IS REQUIRED TO ENSURE PROPER GENERATOR COOLING.

**ACCEPTABLE**

- 1) EXHAUST IS AIMED AWAY OR PARALLEL TO STRUCTURE.
- 2) EXHAUST IS NOT DIRECTED AT PLAY AREAS, PATIOS OR OTHER AREAS WHERE PEOPLE CONGREGATE.
- 3) THE NEAREST WINDOW, VENT, DOOR OR SIMILAR STRUCTURE OPENING IS AT LEAST 5 FEET FROM THE EXHAUST END OF THE SET.
- 4) SET HAS PROPER OFFSET FROM STRUCTURE.
- 5) WINDOWS & DOORS ON ADJACENT WALLS ARE CLOSED.
- 6) FURNACE AND OTHER SIMILAR INTAKES ARE AT LEAST 10 FEET FROM EXHAUST END OF SET.
- 7) WEED BARRIER AND 3 INCH THICK GRAVEL BASE OR CONCRETE PAD LOCATED TO PREVENT GRASS & WEEDS FROM GROWING TOO CLOSE TO THE SET.
- 8) NO PLANTS, SHRUBS OR OTHER COMBUSTIBLES ALLOWED IN CLEARANCE AREA. (MINIMUM 4 FT. FROM EXHAUST END).
- 9) REFER TO OWNERS MANUAL FOR OTHER INSTALLATION CONSTRAINTS.
- 10) NO PLANTS, SHRUBS, OR OTHER COMBUSTIBLES ALLOWED WITHIN 18" OF AIR INTAKE.

**20RESC  
SINGLE UNIT  
CONFIGURATION**

REV	DATE	ON COMPOSITE DWGS. SEE PART NO. FOR REVISION LEVEL	BY	UNLESS OTHERWISE SPECIFIED - 1) DIMENSIONS ARE IN MILLIMETERS 2) TOLERANCES ARE: X.XX ± X.X ± ANGLES ±	SURFACE FINISH MAX.	<b>KOHLER CO. METRIC PRO-E</b> POWER SYSTEMS, KOHLER, WI 53044 U.S.A. THIS DRAWING IN DESIGN AND DETAIL IS KOHLER CO. PROPERTY AND MUST NOT BE USED EXCEPT IN CONNECTION WITH KOHLER CO. WORK. ALL RIGHTS OF DESIGN OR INVENTION ARE RESERVED. <b>TITLE</b> <b>DIMENSION PRINT, 20RESC</b>									
-	12-22-14	NEW DRAWING [CT101550]	BGW												
			THIRD ANGLE PROJECTION	<table border="1"> <tr> <td>APPROVALS</td> <td>DATE</td> </tr> <tr> <td>DRAWN</td> <td>BGW 12-22-14</td> </tr> <tr> <td>CHECKED</td> <td>KJB 12-22-14</td> </tr> <tr> <td>APPROVED</td> <td>KJB 12-22-14</td> </tr> </table>		APPROVALS	DATE	DRAWN	BGW 12-22-14	CHECKED	KJB 12-22-14	APPROVED	KJB 12-22-14	<b>SCALE</b> 0.40 <b>CAD NO.</b> <b>DWG NO.</b> <b>ADV-8754</b>	SHEET 3 of 4 <b>D</b>
APPROVALS	DATE														
DRAWN	BGW 12-22-14														
CHECKED	KJB 12-22-14														
APPROVED	KJB 12-22-14														

