

REV	DATE	ON COMPOSITE DWGS. SEE PART NO. FOR REVISION LEVEL	BY	UNLESS OTHERWISE SPECIFIED - 1) DIMENSIONS ARE IN MILLIMETERS 2) TOLERANCES ARE: X.XX ± ANGLES ±	THIRD ANGLE PROJECTION	TITLE
E	7-16-13	(C-2) HIGH VOLTAGE WAS LOW, (B-2) LOW VOLTAGE WAS HIGH. [CT52169]	BGW			<b>KOHLER CO.</b> METRIC PRO-E POWER SYSTEMS, KOHLER, WI 53044 U.S.A. THIS DRAWING IN DESIGN AND DETAIL IS KOHLER CO. PROPERTY AND MUST NOT BE USED EXCEPT IN CONNECTION WITH KOHLER CO. WORK. ALL RIGHTS OF DESIGN OR INVENTION ARE RESERVED.
F	1-2-14	(C-2) E-STOP NOTE ADDED, SEE SHEET 3 & 4 [CT65195]	KJB			<b>DIMENSION PRINT</b>
G	8-13-14	(A-4) 75 WAS 124.0, 156 WAS 210.5, 207 WAS 501.8, (B-2) 168 DIM DELETED, 62 WAS 66, 80 DIM DELETED, 80 WAS 76, SEE SHEET 4 OF 4 [CT90039]	DRA			SCALE 0.16 CAD NO. SHEET 1 of 5 DWG NO. <b>ADV-8424</b>
H	10-15-14	SEE SHEETS 4 AND 5 OF 5. [CT96198]	GFR			<b>ADV-8424</b> D

14/20RESA

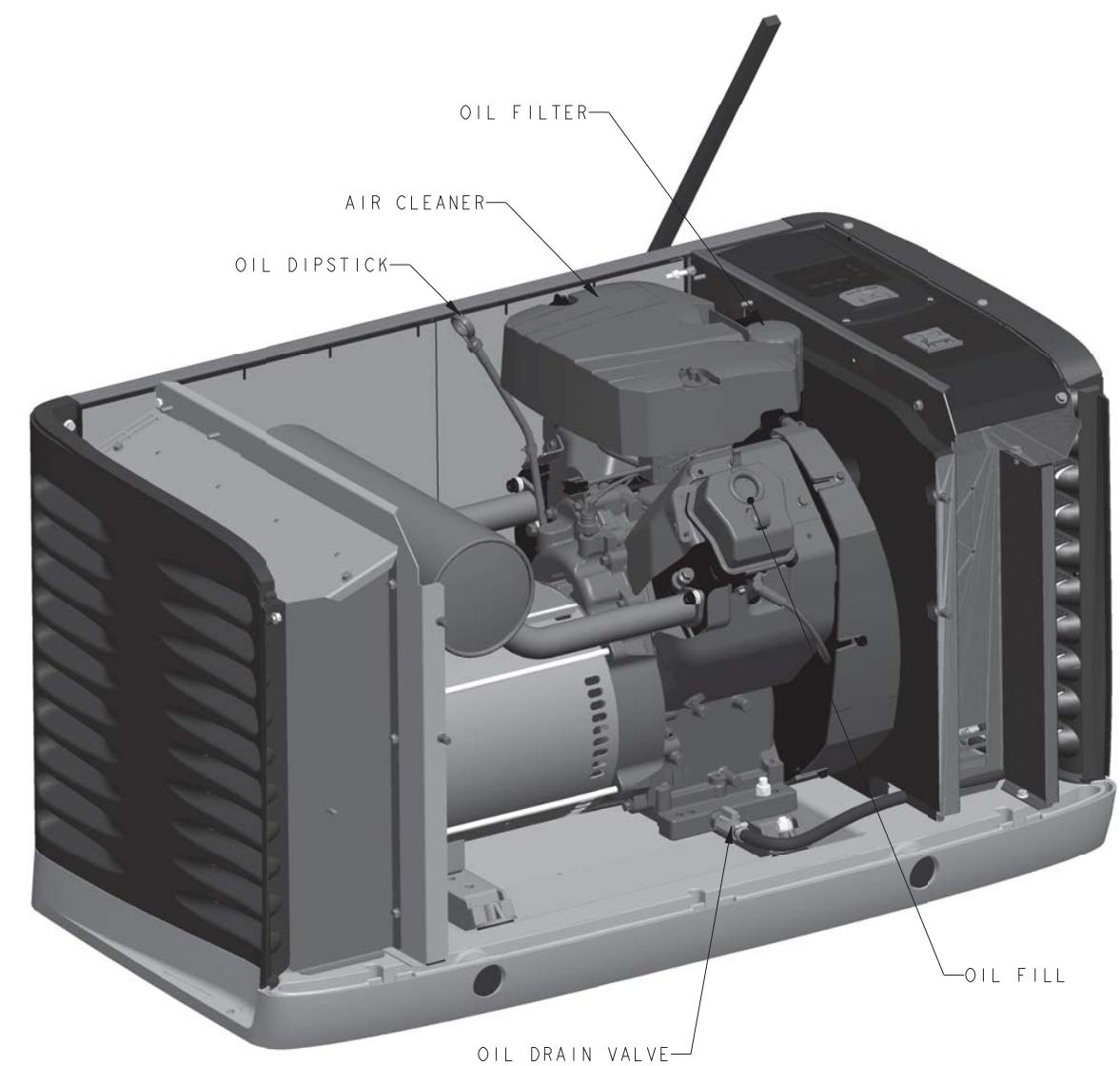
8 | 7 | 6 | 5 | 4 | 3 | 2 | 1

D  
C  
B  
A

D  
C  
B  
A



EXHAUST AIR OUTLET



OIL FILTER  
AIR CLEANER  
OIL DIPSTICK

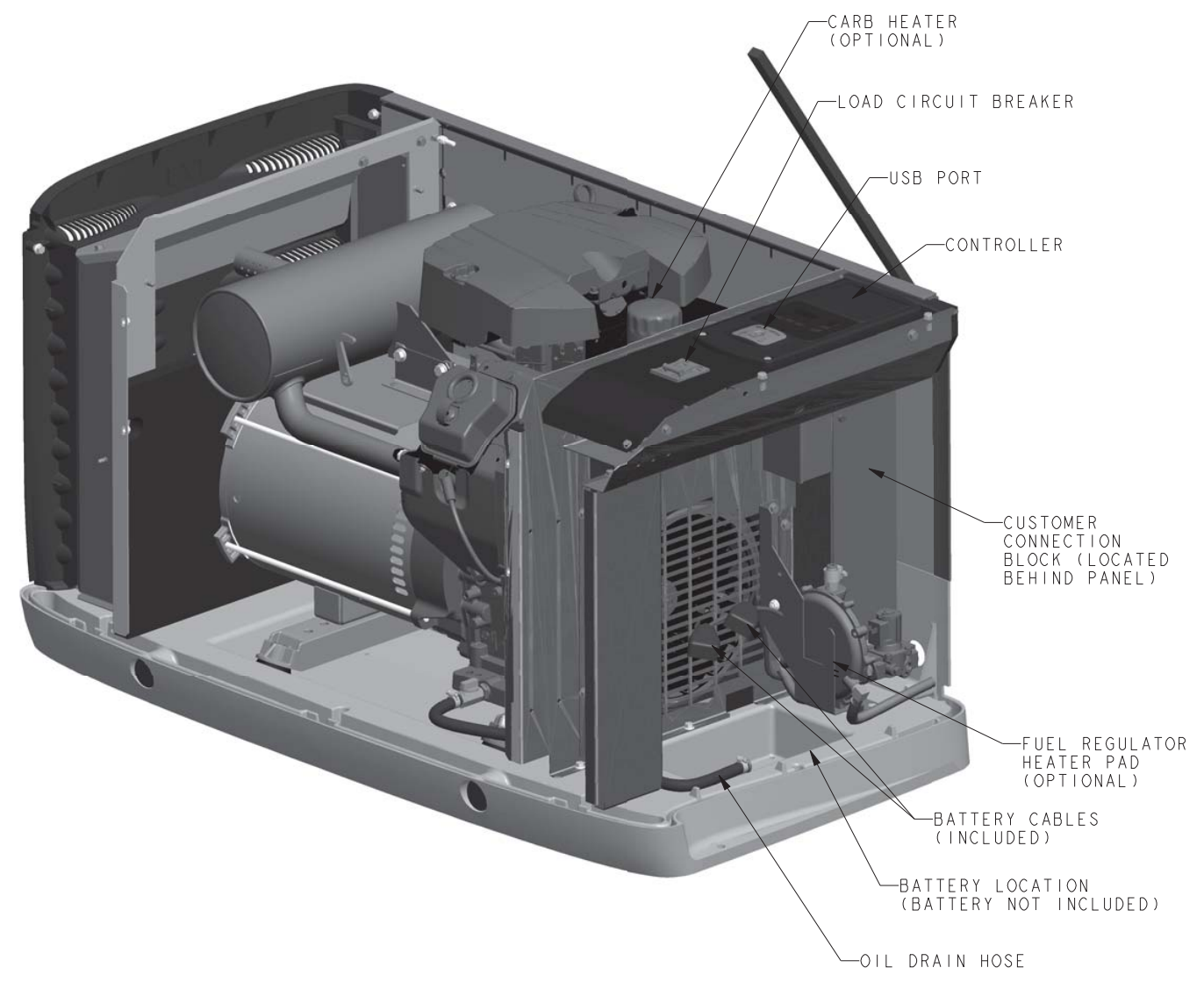
OIL FILL  
OIL DRAIN VALVE

14/20RESA

REV	DATE	ON COMPOSITE DWGS. SEE PART NO. FOR REVISION LEVEL	BY	UNLESS OTHERWISE SPECIFIED - 1) DIMENSIONS ARE IN MILLIMETERS 2) TOLERANCES ARE:	SURFACE FINISH		TITLE	
-	10-24-11	NEW DRAWING [92089-1]	DDH	X.XX ±	MAX.	THIRD ANGLE PROJECTION		<b>KOHLER CO.</b> METRIC PRO-E
A	3-1-12	SEE SHEET 1 [CT05555]	VPP	0.125 ±	MAX.	APPROVALS		POWER SYSTEMS, KOHLER, WI 53044 U.S.A. THIS DRAWING IN DESIGN AND DETAIL IS KOHLER CO. PROPERTY AND MUST NOT BE USED EXCEPT IN CONNECTION WITH KOHLER CO. WORK. ALL RIGHTS OF DESIGN OR INVENTION ARE RESERVED.
B	5-30-12	SEE SHEET 3 OF 4. [CT14992]	GFR	0.25 ±	MAX.	DATE	DATE	<b>DIMENSION PRINT</b>
C	3-1-13	SEE SHEET 4 [CT39030]	SVP	0.50 ±	MAX.	10-24-11	10-24-11	SCALE 0.25 CAD NO.
D	4-16-13	SEE SHEET 4 [CT43845]	BGW	1.00 ±	MAX.	10-24-11	10-24-11	SHEET 2 of 5
E	7-16-13	SEE SHEET 1 [CT52169]	KJB	2.00 ±	MAX.	10-24-11	10-24-11	DWG NO. <b>ADV-8424</b>
F	1-2-14	SEE SHEET 1, 3 & 4 [CT65195]	DRA	3.00 ±	MAX.	10-24-11	10-24-11	<b>D</b>
G	8-13-14	SEE SHEETS 1 AND 4 OF 4 [CT90039]	GFR	4.00 ±	MAX.	10-24-11	10-24-11	
H	10-15-14	SEE SHEETS 4 AND 5 OF 5. [CT96198]						

8 | 7 | 6 | 5 | 4 | 3 | 2 | 1

8 7 6 5 4 3 2 1

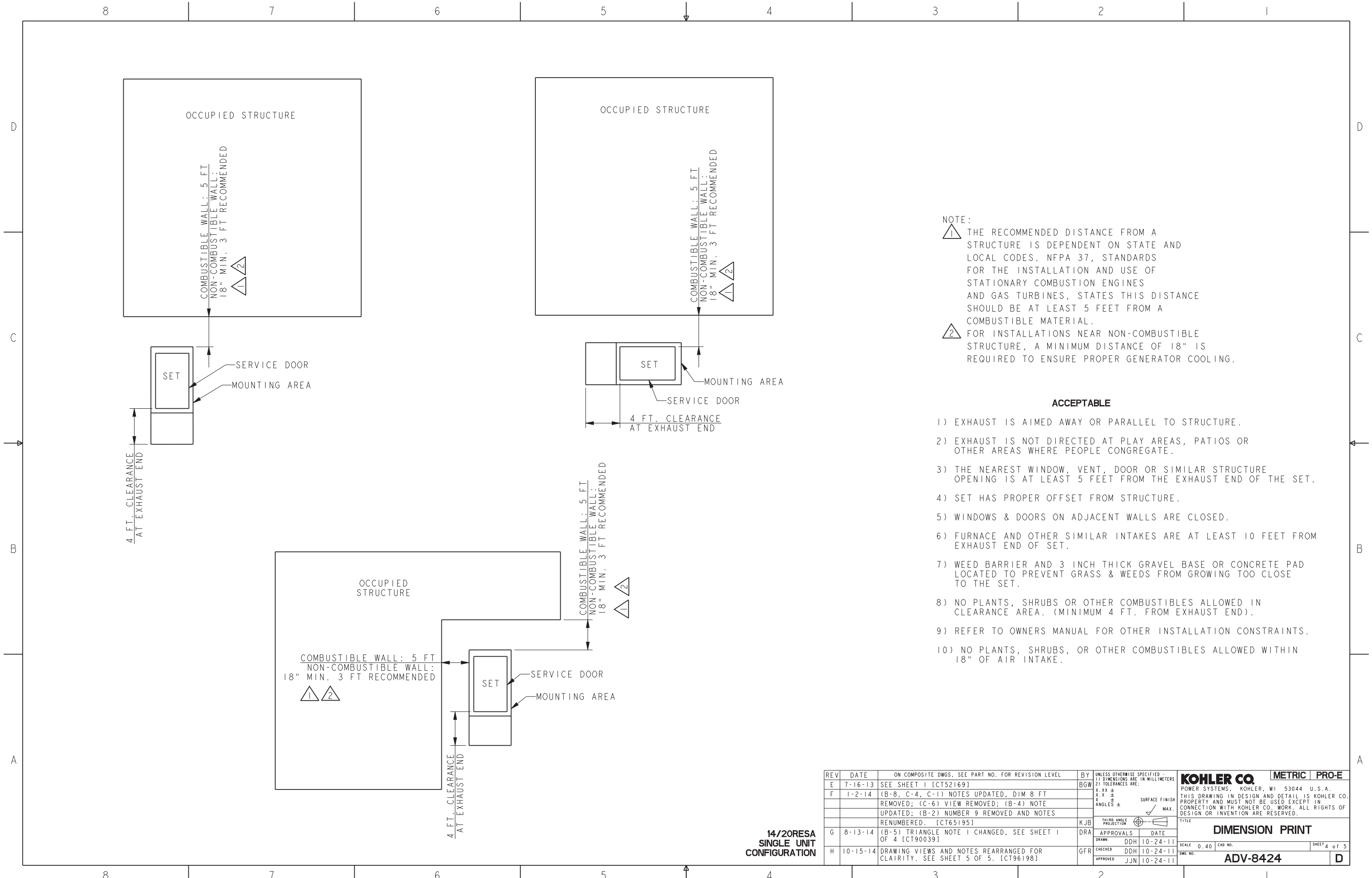


A

REV	DATE	ON COMPOSITE DWGS. SEE PART NO. FOR REVISION LEVEL	BY	UNLESS OTHERWISE SPECIFIED - 1) DIMENSIONS ARE IN MILLIMETERS 2) TOLERANCES ARE:	APPROVALS	DATE	<b>KOHLER CO. METRIC PRO-E</b> POWER SYSTEMS, KOHLER, WI 53044 U.S.A. THIS DRAWING IN DESIGN AND DETAIL IS KOHLER CO. PROPERTY AND MUST NOT BE USED EXCEPT IN CONNECTION WITH KOHLER CO. WORK. ALL RIGHTS OF DESIGN OR INVENTION ARE RESERVED.	
-	10-24-11	NEW DRAWING [92089-1]	DDH	$\pm .15$			TITLE: <b>DIMENSION PRINT</b> SCALE: 0.25 CAD NO. SHEET 3 of 5 DWG NO. <b>ADV-8424</b>	
A	3-1-12	SEE SHEET 1 [CT05555]	VPP	$\pm .15$			SURFACE FINISH: MAX.	
B	5-30-12	(C-2) USB PORT WAS FUSES & USB PORT. [CT14992]	GFR	ANGLES $\pm .15$			THIRD ANGLE PROJECTION	
C	3-1-13	SEE SHEET 4 [CT39030]	SVP				APPROVALS: [Signature]	
D	4-16-13	SEE SHEET 4 [CT43845]	BGW				DATE: 10-24-11	
E	7-16-13	SEE SHEET 1 [CT52169]	KJB				CHECKED: DDH 10-24-11	
F	1-2-14	SEE SHEET 1, 3 & 4 [CT65195]	DRA				APPROVED: JJN 10-24-11	
G	8-13-14	SEE SHEETS 1 AND 4 OF 4 [CT90039]					DRAWN: DDH 10-24-11	
H	10-15-14	SEE SHEETS 4 AND 5 OF 5. [CT96198]					APPROVED: JJN 10-24-11	

14/20RESA

8 7 6 5 4 3 2 1



**NOTE:**

1) THE RECOMMENDED DISTANCE FROM A STRUCTURE IS DEPENDENT ON STATE AND LOCAL CODES. NFPA 37, STANDARDS FOR THE INSTALLATION AND USE OF STATIONARY COMBUSTION ENGINES AND GAS TURBINES, STATES THIS DISTANCE SHOULD BE AT LEAST 5 FEET FROM A COMBUSTIBLE MATERIAL.

2) FOR INSTALLATIONS NEAR NON-COMBUSTIBLE STRUCTURE, A MINIMUM DISTANCE OF 18" IS REQUIRED TO ENSURE PROPER GENERATOR COOLING.

**ACCEPTABLE**

- 1) EXHAUST IS AIMED AWAY OR PARALLEL TO STRUCTURE.
- 2) EXHAUST IS NOT DIRECTED AT PLAY AREAS, PATIOS OR OTHER AREAS WHERE PEOPLE CONGREGATE.
- 3) THE NEAREST WINDOW, VENT, DOOR OR SIMILAR STRUCTURE OPENING IS AT LEAST 5 FEET FROM THE EXHAUST END OF THE SET.
- 4) SET HAS PROPER OFFSET FROM STRUCTURE.
- 5) WINDOWS & DOORS ON ADJACENT WALLS ARE CLOSED.
- 6) FURNACE AND OTHER SIMILAR INTAKES ARE AT LEAST 10 FEET FROM EXHAUST END OF SET.
- 7) WEED BARRIER AND 3 INCH THICK GRAVEL BASE OR CONCRETE PAD LOCATED TO PREVENT GRASS & WEEDS FROM GROWING TOO CLOSE TO THE SET.
- 8) NO PLANTS, SHRUBS OR OTHER COMBUSTIBLES ALLOWED IN CLEARANCE AREA. (MINIMUM 4 FT. FROM EXHAUST END).
- 9) REFER TO OWNERS MANUAL FOR OTHER INSTALLATION CONSTRAINTS.
- 10) NO PLANTS, SHRUBS, OR OTHER COMBUSTIBLES ALLOWED WITHIN 18" OF AIR INTAKE.

**14/20RESA  
SINGLE UNIT  
CONFIGURATION**

REV	DATE	ON COMPOSITE DWGS. SEE PART NO. FOR REVISION LEVEL	BY	UNLESS OTHERWISE SPECIFIED - 1) DIMENSIONS ARE IN MILLIMETERS 2) TOLERANCES ARE:	<b>KOHLER CO. METRIC PRO-E</b> POWER SYSTEMS, KOHLER, WI 53044 U.S.A. THIS DRAWING IN DESIGN AND DETAIL IS KOHLER CO. PROPERTY AND MUST NOT BE USED EXCEPT IN CONNECTION WITH KOHLER CO. WORK. ALL RIGHTS OF DESIGN OR INVENTION ARE RESERVED.
E	7-16-13	SEE SHEET 1 [CT52169]	BGW	±.XX ± X.XX ± ANGLES ±	
F	1-2-14	(B-8, C-4, C-1) NOTES UPDATED, DIM 8 FT REMOVED; (C-6) VIEW REMOVED; (B-4) NOTE UPDATED; (B-2) NUMBER 9 REMOVED AND NOTES RENUMBERED. [CT65195]		SURFACE FINISH MAX.	<b>TITLE</b> <b>DIMENSION PRINT</b>
G	8-13-14	(B-5) TRIANGLE NOTE 1 CHANGED, SEE SHEET 1 OF 4 [CT90039]	KJB	THIRD ANGLE PROJECTION	
H	10-15-14	DRAWING VIEWS AND NOTES REARRANGED FOR CLAIRITY. SEE SHEET 5 OF 5. [CT96198]	GFR	APPROVALS	SCALE 0.40 CAD NO. SHEET 4 of 5 <b>ADV-8424</b>
				DATE	DWG NO.
				DDH 10-24-11	
				DDH 10-24-11	
				JJN 10-24-11	

