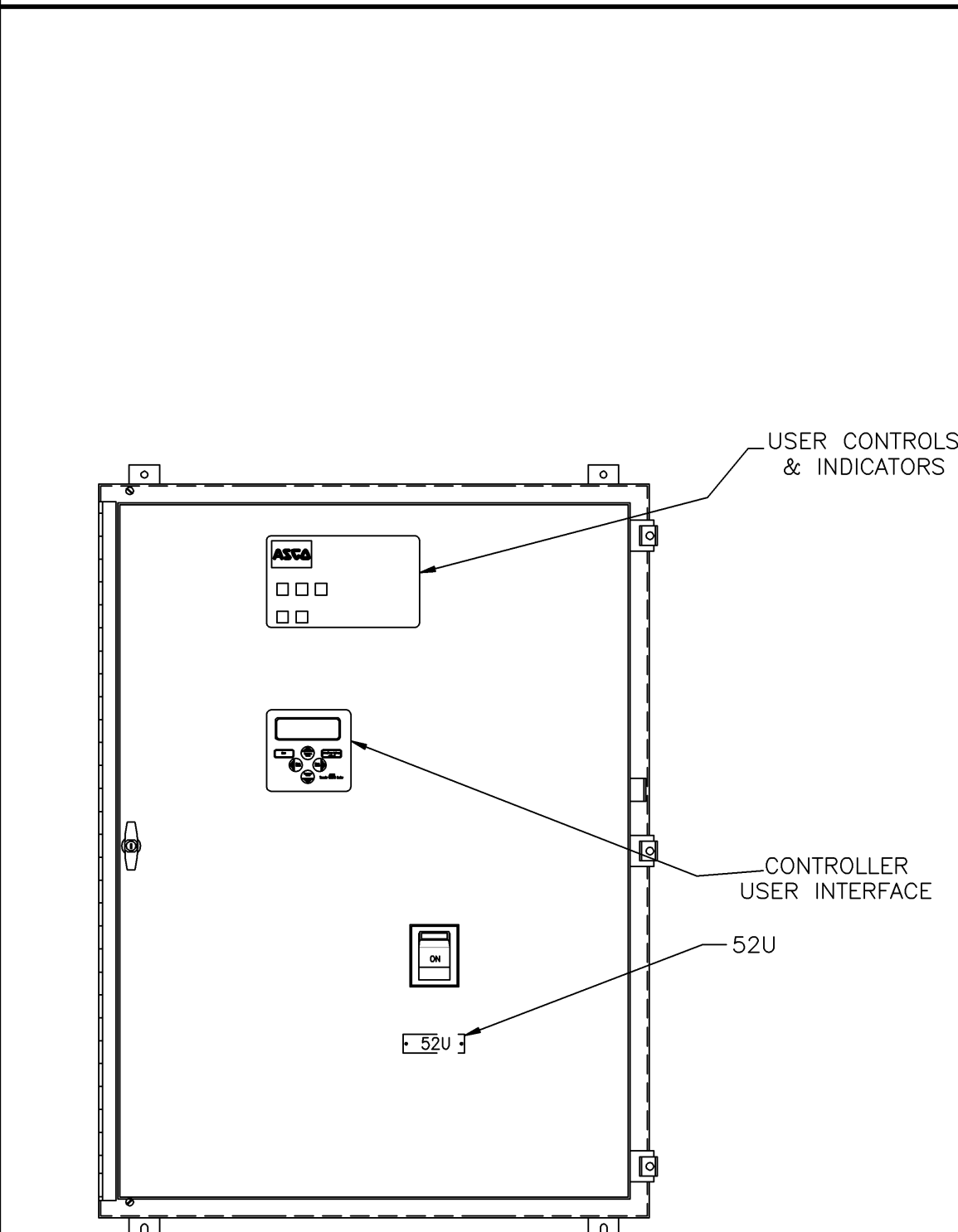
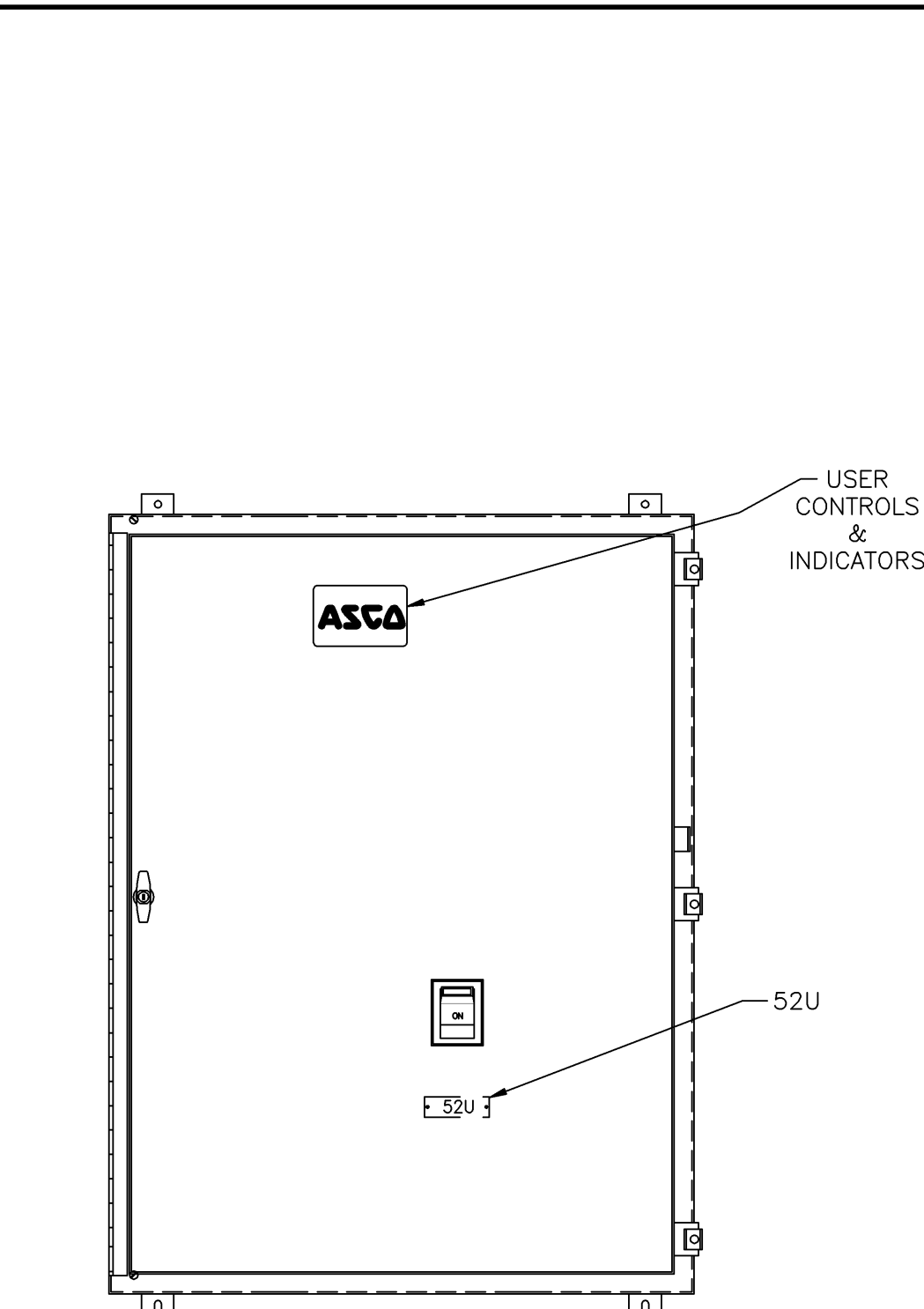


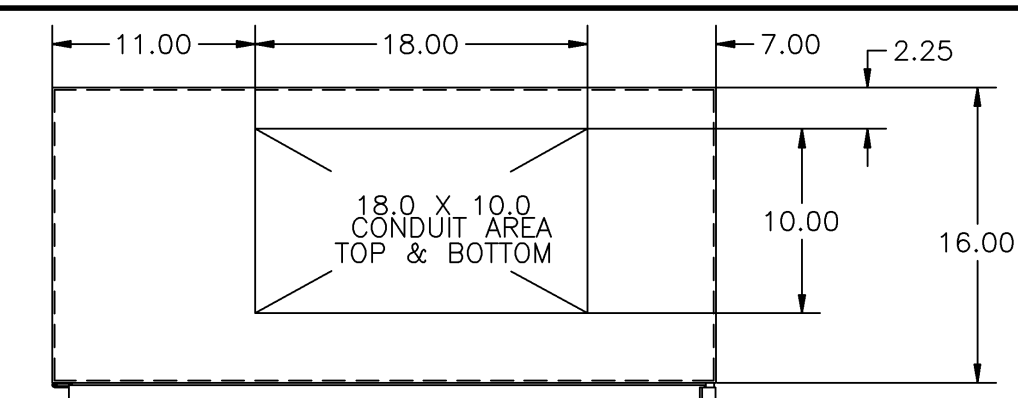
COMPOSITE OUTLINE FOR **ASCO** 7000 SERIES (D7AUS) & 300 SERIES (D3AUS) , 386 (D3NUS) 70-225 AMPERE WITH SERVICE ENTRANCE BREAKER



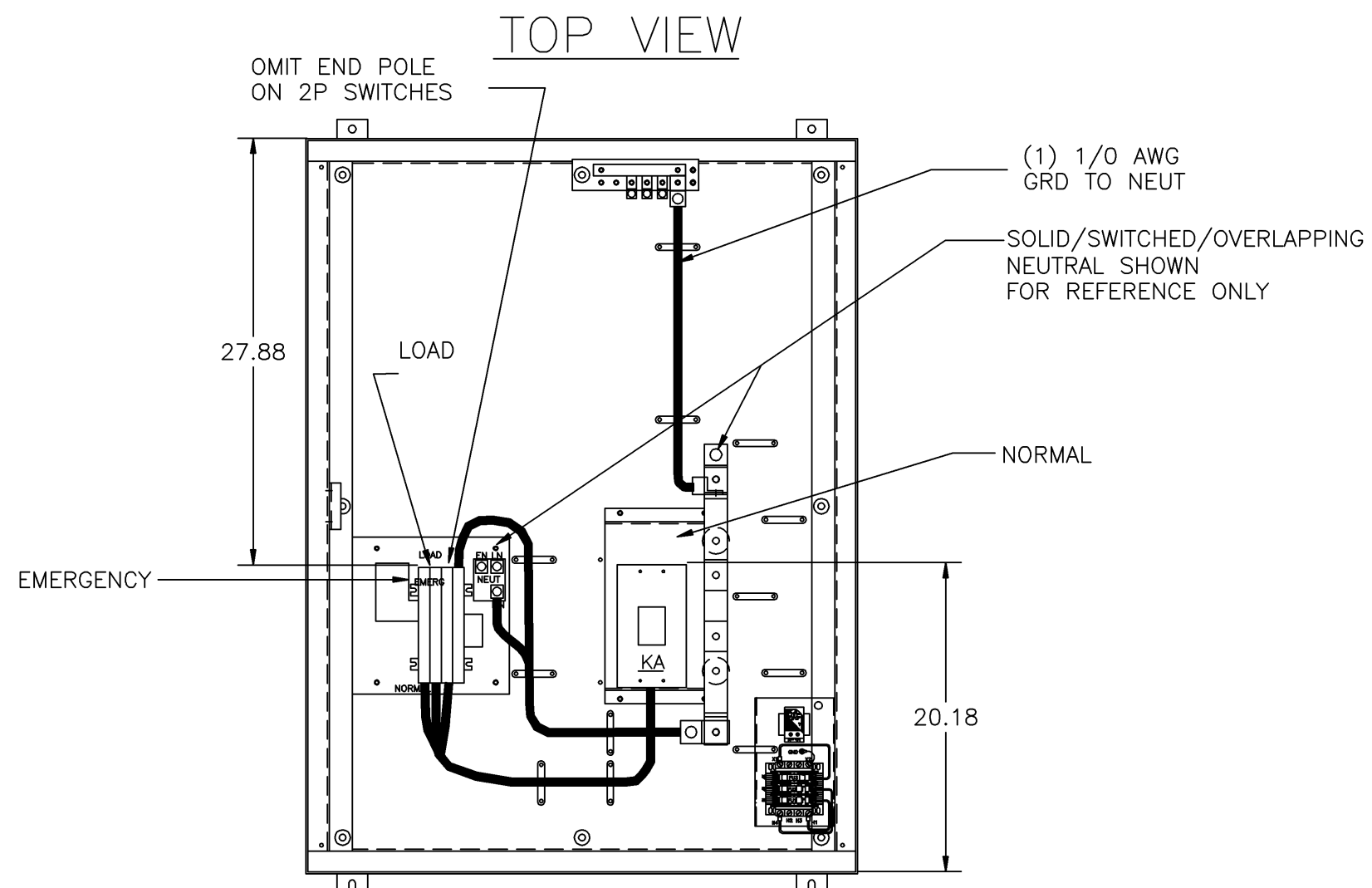
INNER DOOR FRONT VIEW  
7000 SERIES



INNER DOOR FRONT VIEW  
300/386 SERIES



TOP VIEW



FRONT VIEW WITHOUT INNER DOOR

GENERAL NOTES

- UL 508. TYPE 3R/12 WALL MOUNTED ENCLOSURE.
- DOOR HINGED ON LEFT SIDE. DOOR CLAMPS ON ONE SIDE, SEAL GASKETED DOOR. HASP AND STAPLE FOR PADLOCKING.
- FINISH: ANSI 61 GRAY POLYESTER SEMI GLOSS ELECTROSTATIC POWDER.
- RECOMMENDED CLEARANCES:  
FRONT: 36 INCHES
- ALL BUS IS SILVER-PLATED COPPER, BASED ON 1000A PER SQ. IN. DENSITY.
- A FULL RATED NEUTRAL CONNECTION FOR EACH SOURCE AND THE LOAD IS OPTIONAL. WHEN PROVIDED IT IS IN ONE OF THE FOLLOWING FORMATS AS SPECIFIED BY THE CATALOG NO. NEUTRAL TYPE;
  - SOLID (COPPER BUS) NEUTRAL (PROVIDED STANDARD ON D3AUS)
  - SWITCHED NEUTRAL POLE
  - OVERLAPPING NEUTRAL POLE
- DESIGNED FOR FRONT ACCESS ONLY.
- TO CONVERT FROM TYPE 12 ENCLOSURE INTO TYPE 3R ENCLOSURE, DRILL (2) .25 DIA HOLES AS SHOWN.
- FOR SPECIFIED TRANSFER SWITCH, REFER TO OPERATOR'S MANUAL PROVIDED WITH UNIT.

SPECIFICATIONS

- SERVICE VOLTAGE:  
SYSTEM RATING: 70 AMPS, 80 AMPS, 90 AMPS, 100 AMPS, 110 AMPS, 125 AMPS, 150 AMPS, 175 AMPS, 200 AMPS, 225 AMPS 3φ, 4W OR 1φ, 3W.  
  
GROUND BUS- 100 AMPS  
SHORT CIRCUIT RATING- 22,000 RMS SYM AMPERES @ 480V.  
THE EMERGENCY SOURCE INPUT MUST BE PROTECTED BY A REMOTE OVERCURRENT PROTECTION DEVICE AS LISTED ON THE MARKINGS ON THE TRANSFER SWITCH.
- BATTERY VOLTAGE: N/A
- NEUTRAL BUS: A FULL RATED NEUTRAL IS PROVIDED.
- APPLICABLE LABELS: U.L. 1008- SUITABLE ONLY FOR USE AS SERVICE EQUIPMENT.

NOTES 70-150 AMPS

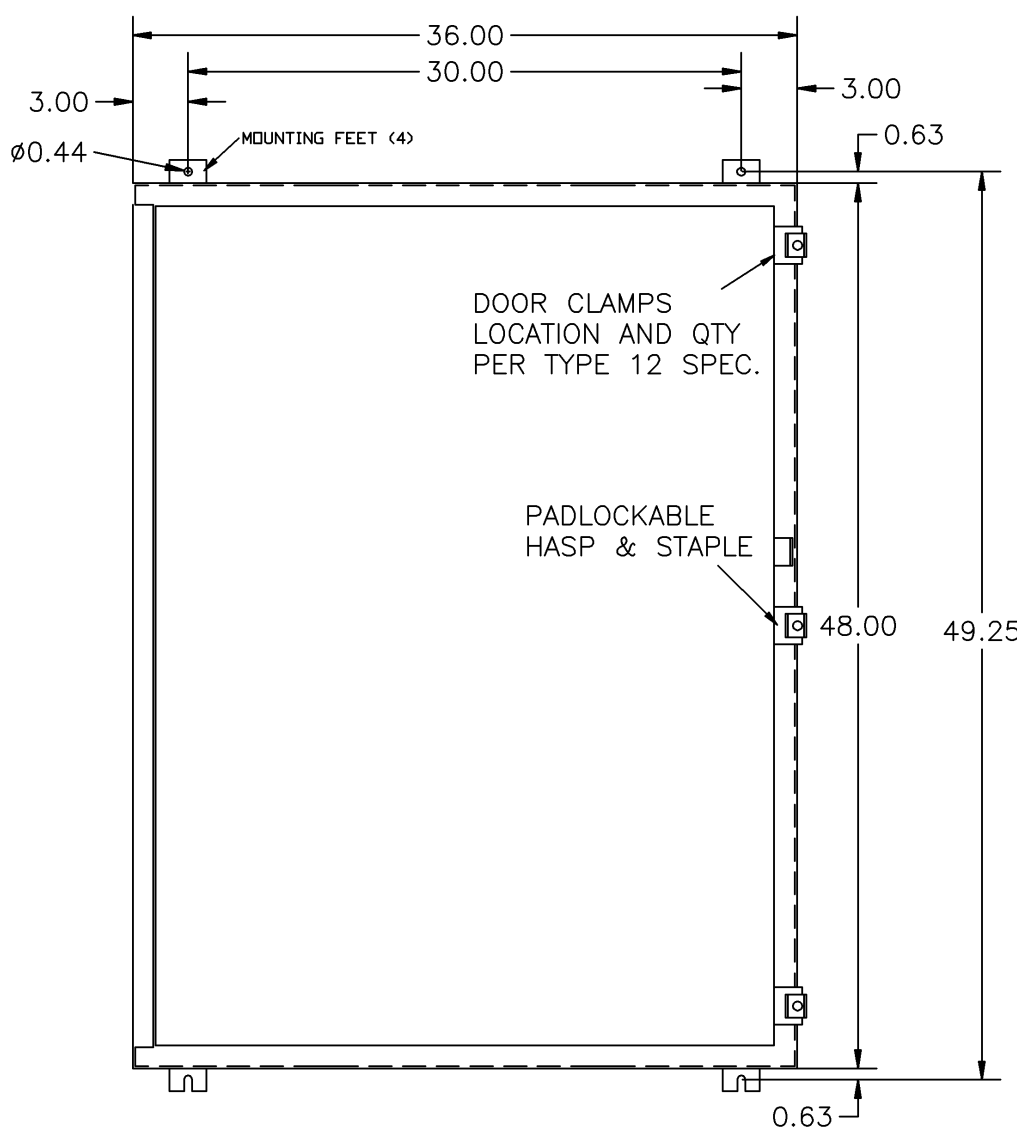
- SUPPLIED WITH STANDARD MECHANICAL (SCREW TYPE) LUGS ON THE EMERGENCY & LOAD BUS STABS. ONE (1) LUG PER PHASE AND NEUTRAL EACH SUITABLE FOR CONNECTION OF (1) #14 TO 4/0 AWG CU/AL CABLE (SEE NOTE "A" BELOW).
  - SUITABLE WIRE BENDING SPACE IS PROVIDED FOR UP TO ONE (1) 4/0 AWG CABLE PER TERMINAL PER NEC.
- FACTORY WIRING: (1) 1/0 AWG PER PHASE AND NEUTRAL
- GROUND LUGS ARE PROVIDED STANDARD AS FOLLOWS;  
70-100 AMPS: (3) #14- 1/0 AWG CU/AL CABLE  
150 AMPS: (3) #6 AWG- 250 MCM CU/AL CABLE
- NORMAL CABLE CONNECTIONS SUITABLE FOR (1) #4 AWG TO 350 MCM PER φ AND NEUTRAL.

NOTES 175-225 AMPS

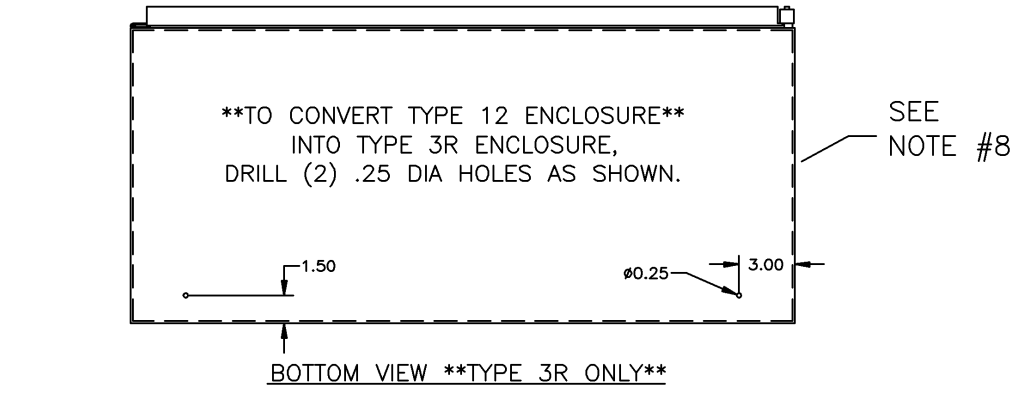
- SUPPLIED WITH STANDARD MECHANICAL (SCREW TYPE) LUGS ON THE EMERGENCY & LOAD BUS STABS. ONE (1) LUG PER PHASE AND NEUTRAL EACH SUITABLE FOR CONNECTION OF (1) #14 TO 4/0 AWG CU/AL CABLE (SEE NOTE "A" BELOW).
  - SUITABLE WIRE BENDING SPACE IS PROVIDED FOR UP TO ONE (1) 4/0 AWG CABLE PER TERMINAL PER NEC.
- FACTORY WIRING: (1) 4/0 AWG PER PHASE AND NEUTRAL
- GROUND LUGS ARE PROVIDED STANDARD AS FOLLOWS;  
(3) #6 AWG- 250 MCM CU/AL CABLE
- NORMAL CABLE CONNECTIONS SUITABLE FOR (1) #4 AWG TO 350 MCM PER φ AND NEUTRAL.

CIRCUIT BREAKER: ITEM 52U

SQUARE "D" TYPE 'KAL', 250AF/70AT, 250AF/80AT, 250AF/90AT, 250AF/100AT, 250AF/110AT, 250AF/125AT, 250AF/150AT, 250AF/175AT, 250AF/200AT, OR 250AF/225AT THERMAL-MAGNETIC MOLDED CASE CIRCUIT BREAKER.

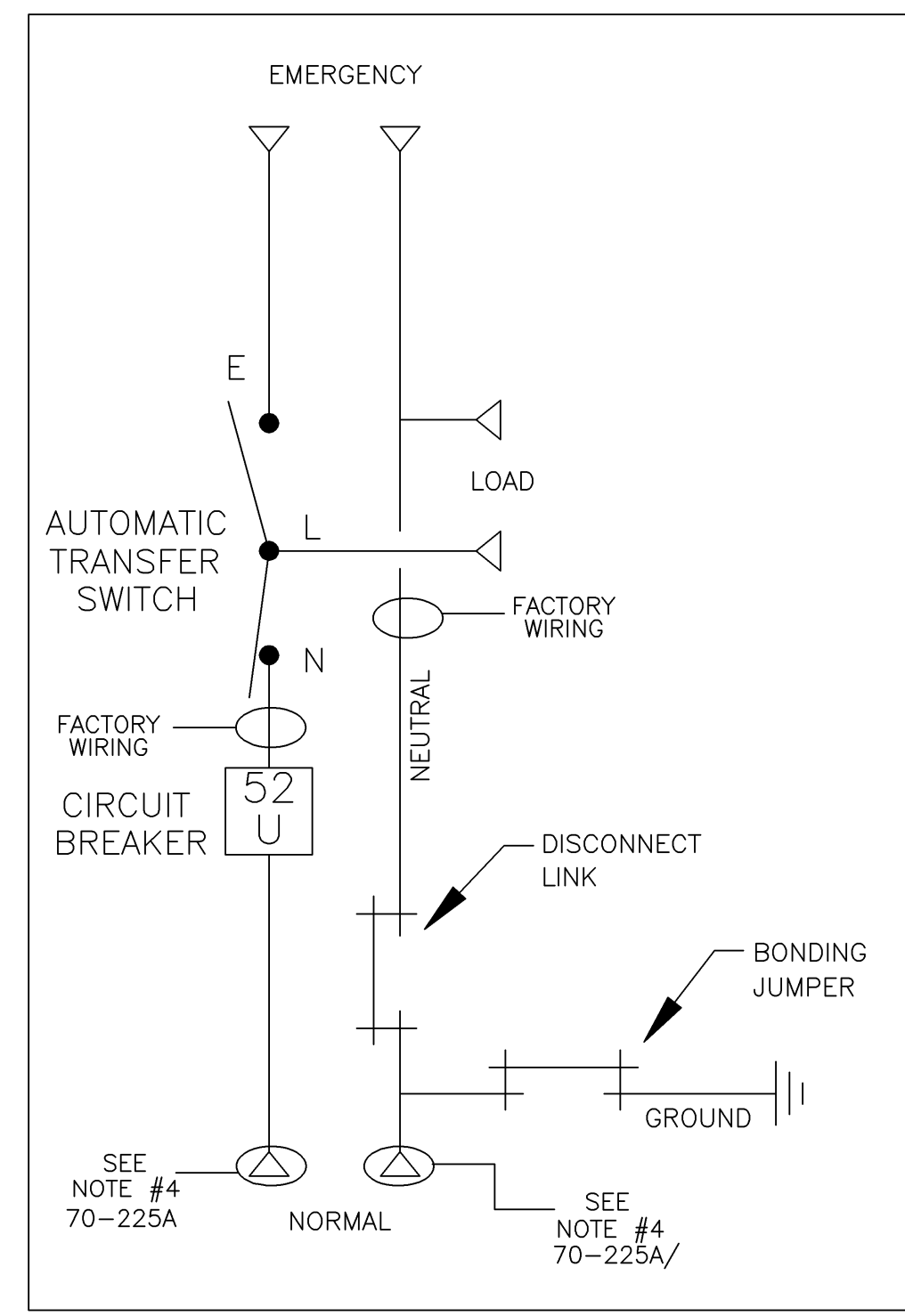


FRONT VIEW

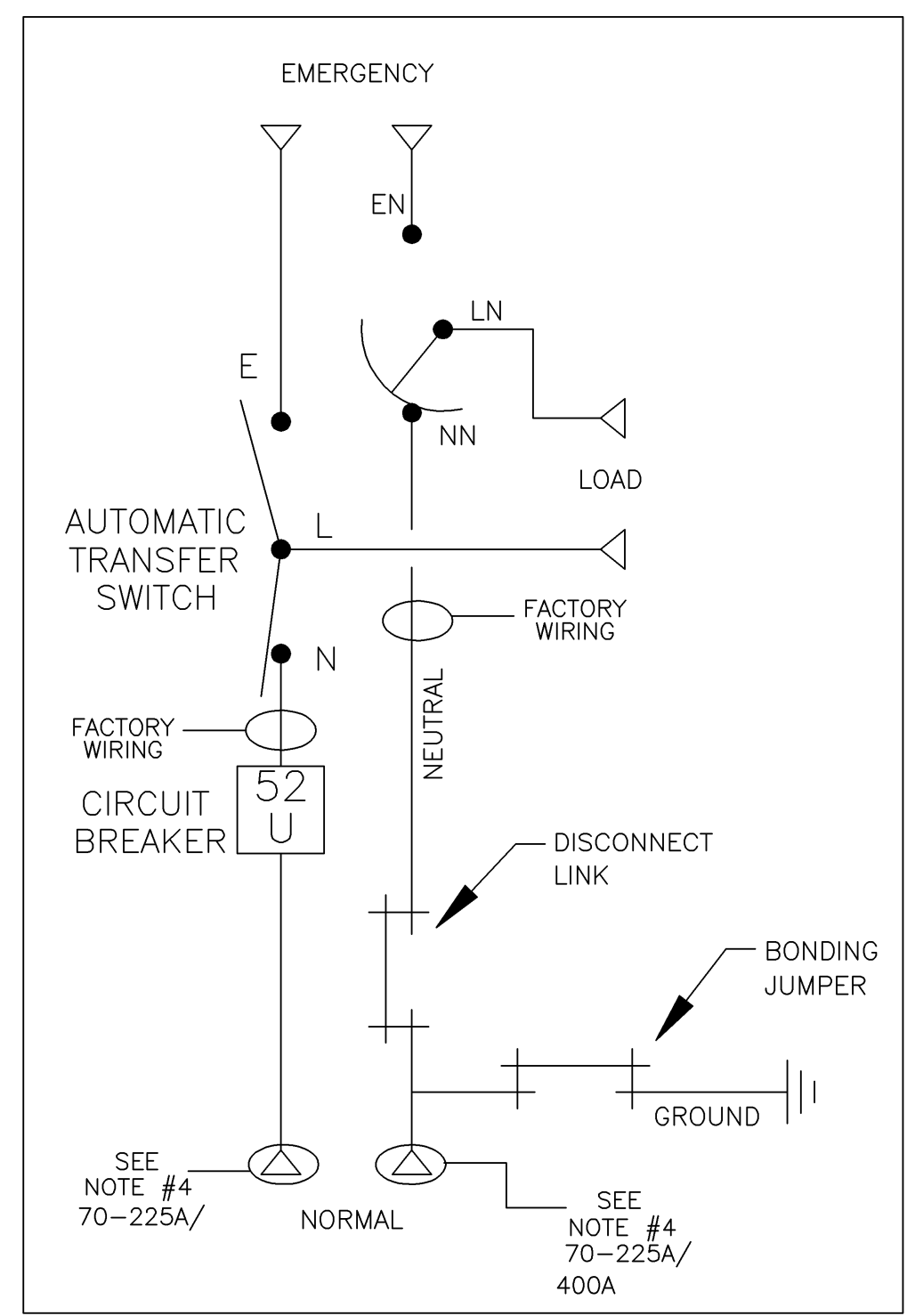


BOTTOM VIEW \*\*TYPE 3R ONLY\*\*

ONE LINE DIAGRAMS



(WITH SOLID NEUTRAL)



(WITH SWITCHED NEUTRAL)

J	217983	AE	WK	4/16/08
SEE ECN				
H	216641	AE	WK	1/10/08
SEE ECN				
G	209449	KH	WK	8/1/06
SEE ECN				
F	203757	KH	BK	3/14/05
SEE ECN				
E	203477	CC	BK	02/05
SEE ECN				
D	203086	AE	WK	01/14/05
SEE ECN				
C	202686	CC	BK	12/04
SEE ECN				
B	201381	TR	WK	8/11/04
SEE ECN				
A	167505	AE	BK	07/02/04
SEE ECN				
-	167394	BK	WK	6/21/04
ISSUED				

PROJECT NAME: SERVICE ENTRANCE 70-225A, TYPE 3R/12 ENCLOSURE		REV. TO SHEET	ECN NO.	BY	APP.	DATE
OUTLINE		MOUNTING		THIRD ANGLE PROJECTION		
SERVICE ENTRANCE 70-225A		D7AUS/D3AUS/D3NUS				
DRAWN BY	BK	DATE	6/21/04	MANUFACTURING TOLERANCES TO BE IN ACCORDANCE WITH ASCO PROCEDURE MP-1-003. FOR PLASTIC PARTS SEE MP-1-005		
CHECKED	WK	DATE	6/21/04	ASSEM. REF. NO.	COMPUTER GENERATED DRAWING	
PROJECT APPROVAL	WK	DATE	6/21/04	SCALE	1:1	SIZE
FINAL APPROVAL				PROPERTY OF ASCO POWER TECHNOLOGIES. USE PERMITTED FOR OUR WORK ONLY. ALL RIGHTS OF DESIGN OR INVENTION ARE RESERVED.	DWG. NO.	754575-003
				ASCO POWER TECHNOLOGIES, L.P.	DRAWING NO.	217983
				FLORHAM PARK, NEW JERSEY 07832 U.S.A.	REV.	J