


OUTLINE FOR ASCO® 300 SERIES TRANSFER SWITCHES (D3ATS/D3NTS) 30-230 AMPERES, TYPE 1 ENCLOSURE

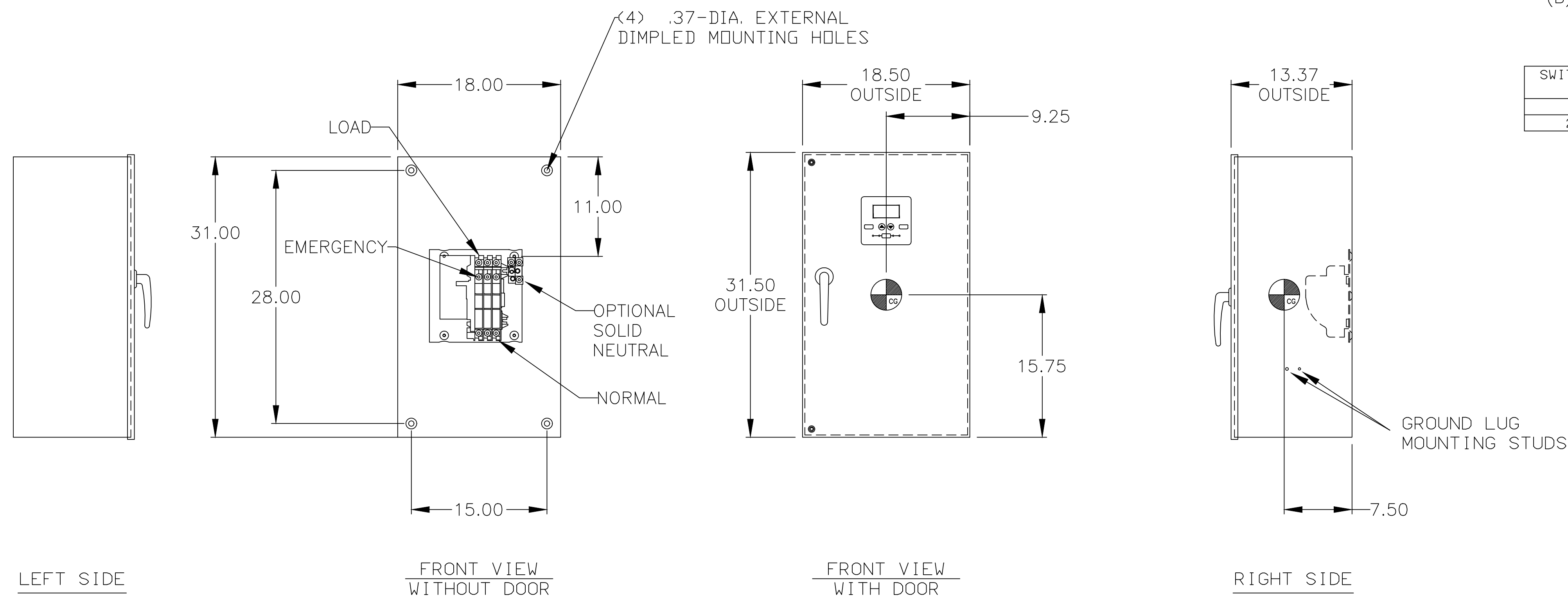
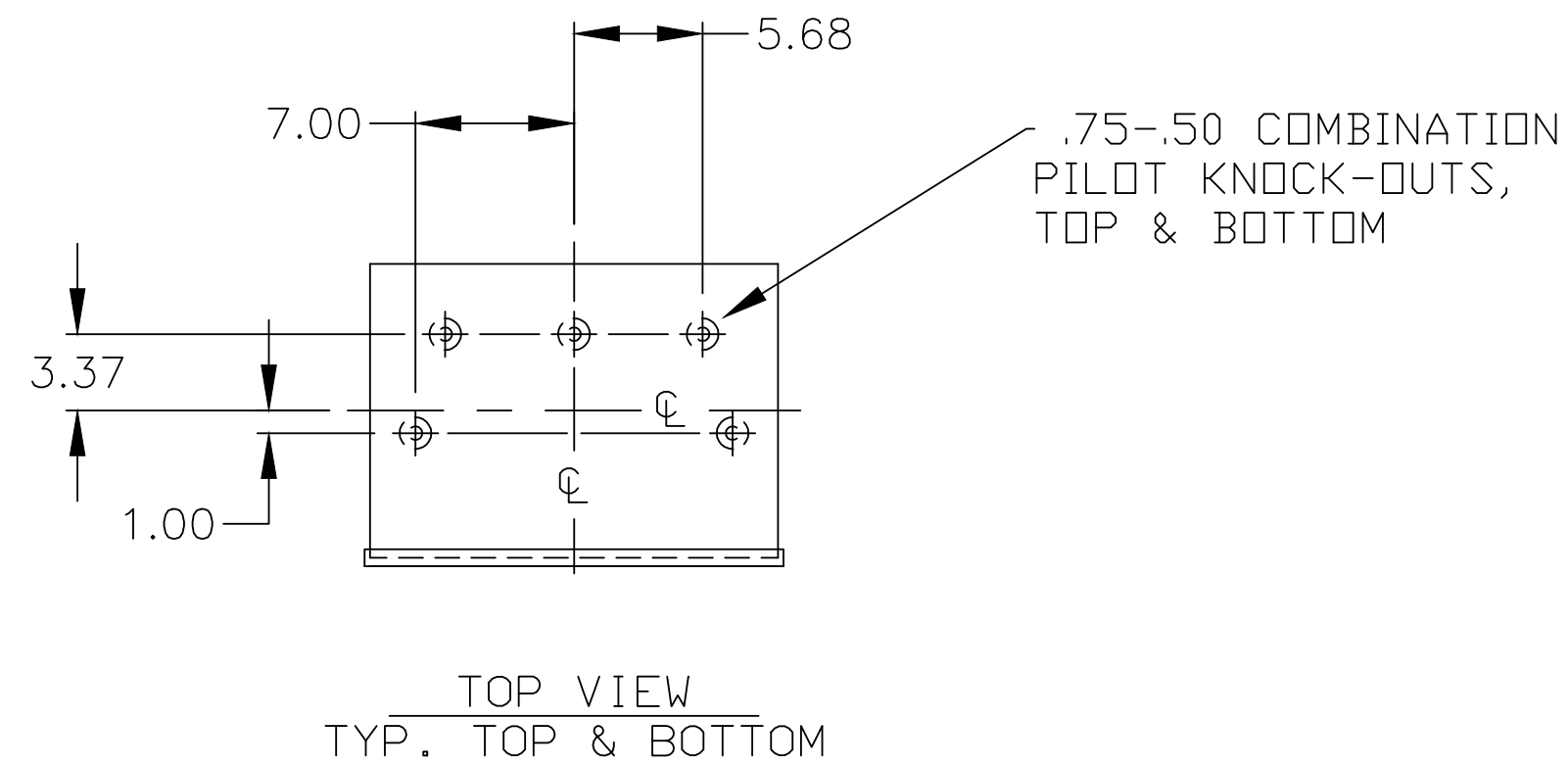
GENERAL NOTES

- TYPE 1 WALL MOUNTED ENCLOSURE.
- STANDARD FINISH – LIGHT GRAY, ANSI 61. OTHER FINISHES AVAILABLE CONSULT FACTORY.
- KEY LOCKABLE HANDLE.
- REMOVABLE SINGLE DOOR
- TERMINALS – SCREW TYPE LUGS FOR EXTERNAL POWER CONNECTIONS.
-  = CENTER OF GRAVITY.
- THREE POLE SWITCH WITH SOLID NEUTRAL SHOWN FOR REFERENCE.
- NEUTRAL CONFIGURATIONS:

AN OPTIONAL FULL RATED NEUTRAL CONFIGURATION FOR EACH SOURCE AND THE LOAD MAY BE PROVIDED. WHEN EQUIPPED IT IS IN ONE OF THE FOLLOWING FORMATS AS SPECIFIED BY THE CATALOG NUMBER NO. NEUTRAL TYPE:

- (A) SOLID (COPPER BUS) NEUTRAL
- (B) SWITCHED NEUTRAL POLE

SWITCH RATING (AMPS)	RANGE OF WIRE
30-150	(1) #14 TO 4/0 AWG AL-CU WIRE
200-230	(1) #14 TO 4/0 AWG COPPER WIRE



PROJECT NAME:		245035	BWM	SDH	10/24/13
REV. TO SHEET	ISSUE	ECN NO.	BY	APP.	DATE
COMPOSITE OUTLINE					
300 SERIES, D3ATS/D3NTS RATED 30-230 AMPERES					
TYPE 1 ENCLOSURE					
DRAWN BY	BY	DATE	MANUFACTURING TOLERANCES TO BE IN ACCORDANCE WITH ASCO PROCEDURE MP-1-003. FOR PLASTIC PARTS SEE MP-1-055.		ASSEM. REF. NO.
CHECKED	BWM	10/24/13	PROPERTY OF ASCO POWER TECHNOLOGIES. USE PERMITTED FOR OUR WORK ONLY. ALL RIGHTS OF DESIGN OR INVENTION ARE RESERVED.		SCALE NONE SIZE DS
PROJECT APPROVAL	SDH	10/24/13	COMPUTER GENERATED DRAWING		DWG. NO. 978723
FINAL APPROVAL			ASCO® ASCO POWER TECHNOLOGIES, L.P. FLORHAM PARK, NEW JERSEY 07932 U.S.A.		DRAWING REV. NO. 245035 SHEET 1 OF 1