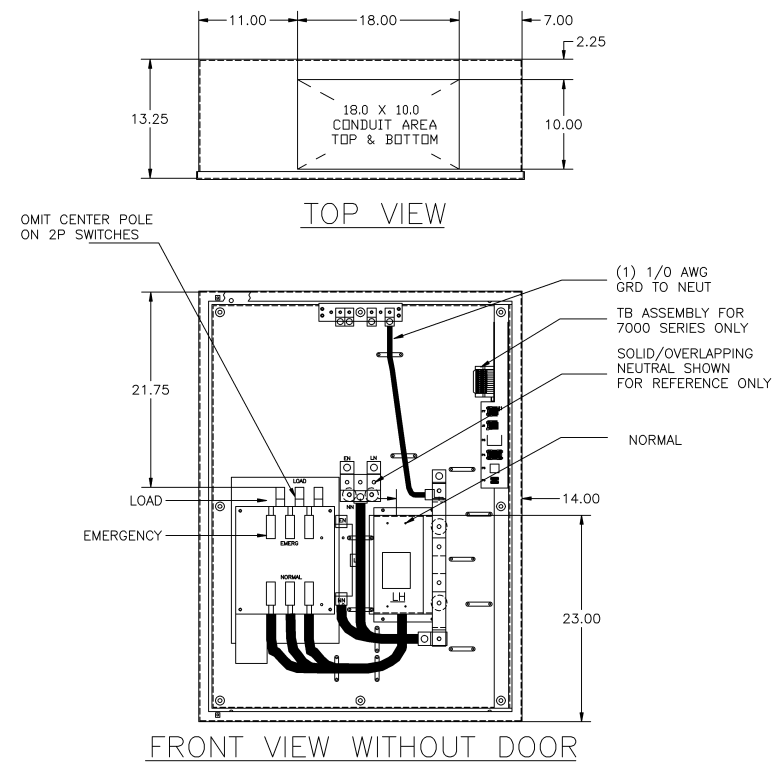
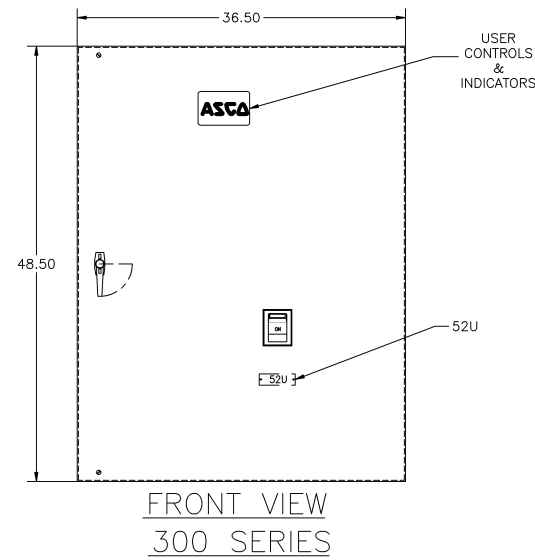
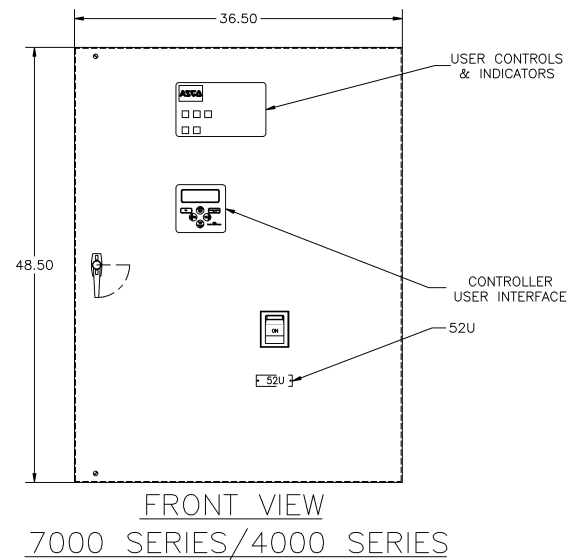


COMPOSITE OUTLINE FOR **ASCO** 7000 SERIES (E7AUS), 4000 SERIES (E4AUS) & 300 SERIES (E3AUS) 250-400 AMPERE WITH SERVICE ENTRANCE BREAKER

D
C
B
A



GENERAL NOTES

- TYPE 1 WALL MOUNTED ENCLOSURE.
- DOOR HAS KEY LOCKABLE HANDLE AND CAPTIVE SCREWS AS REQUIRED.
- FINISH: ANSI 61 GRAY POLYESTER SEMI GLOSS ELECTROSTATIC POWDER.
- RECOMMENDED CLEARANCES:
FRONT: 36 INCHES
- ALL BUS IS SILVER-PLATED COPPER, BASED ON 1000A PER SQ. IN. DENSITY.
- A FULL RATED NEUTRAL CONNECTION FOR EACH SOURCE AND THE LOAD IS OPTIONAL. WHEN PROVIDED IT IS IN ONE OF THE FOLLOWING FORMATS AS SPECIFIED BY THE CATALOG NO. NEUTRAL TYPE:
A. SOLID (COPPER BUS) NEUTRAL (PROVIDED STANDARD ON E3AUS)
C. OVERLAPPING NEUTRAL POLE
- DESIGNED FOR FRONT ACCESS ONLY.
- FOR SPECIFIED TRANSFER SWITCH, REFER TO OPERATOR'S MANUAL PROVIDED WITH UNIT.

SPECIFICATIONS

- SERVICE VOLTAGE:
SYSTEM RATING: 250 AMPS, 300 AMPS, 350 AMPS, 400 AMPS, 3Ø, 4W OR 1Ø, 3W.
GROUND BUS- 150 AMPS
SHORT CIRCUIT RATING- 35,000 RMS SYM AMPERES @ 480V.
THE EMERGENCY SOURCE INPUT MUST BE PROTECTED BY A REMOTE OVERCURRENT PROTECTION DEVICE AS LISTED ON THE MARKINGS ON THE TRANSFER SWITCH.
- BATTERY VOLTAGE: N/A
- NEUTRAL BUS: A FULL RATED NEUTRAL IS PROVIDED.
- APPLICABLE LABELS: U.L. 1008- SUITABLE ONLY FOR USE AS SERVICE EQUIPMENT.

NOTES 250 AMPS

- SUPPLIED WITH STANDARD MECHANICAL (SCREW TYPE) LUGS ON THE EMERGENCY & LOAD BUS STABS. ONE (1) LUG PER PHASE AND NEUTRAL EACH SUITABLE FOR CONNECTION OF (1) #4 AWG TO 600MCM OR (2) 1/0 AWG TO 250MCM CU/AL CABLE (SEE NOTE "A" BELOW).
A. SUITABLE WIRE BENDING SPACE IS PROVIDED FOR UP TO TWO (2) 1/0 AWG CABLE PER TERMINAL PER NEC.
- FACTORY WIRING: (1) 300MCM PER PHASE AND NEUTRAL
- GROUND LUGS ARE PROVIDED STANDARD AS FOLLOWS:
(3) #6 AWG- 250 MCM CU/AL CABLE
- NORMAL CABLE CONNECTIONS SUITABLE FOR (1) #1 AWG TO 600 MCM OR (2) #1 AWG TO 250 MCM PER Ø AND NEUTRAL.

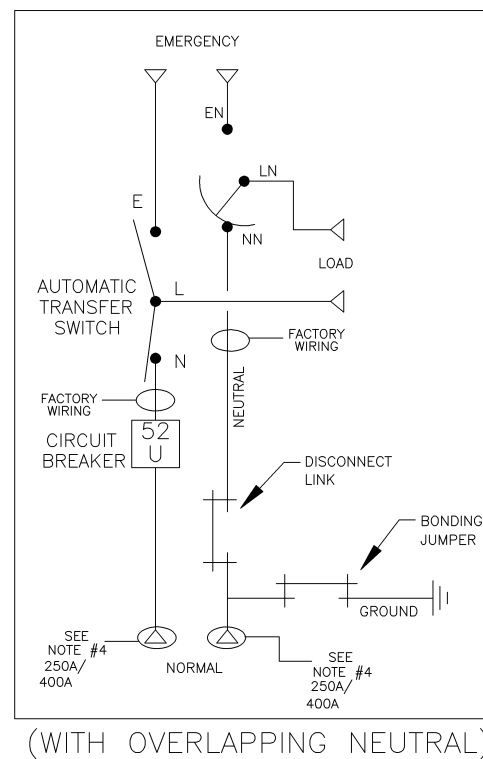
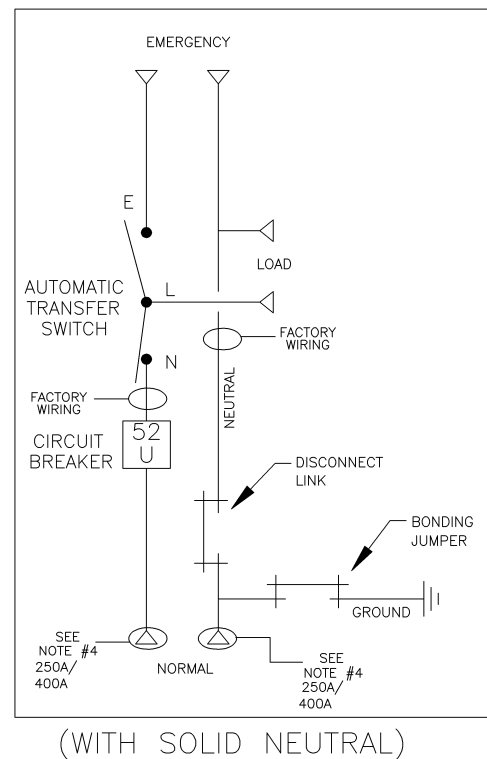
NOTES 300-400 AMPS

- SUPPLIED WITH STANDARD MECHANICAL (SCREW TYPE) LUGS ON THE EMERGENCY & LOAD BUS STABS. ONE (1) LUG PER PHASE AND NEUTRAL EACH SUITABLE FOR CONNECTION OF (1) #4 AWG TO 600MCM OR (2) 1/0 AWG TO 250MCM CU/AL CABLE (SEE NOTE "A" BELOW).
A. SUITABLE WIRE BENDING SPACE IS PROVIDED FOR UP TO TWO (2) 1/0 AWG CABLE PER TERMINAL
- FACTORY WIRING: (2) 3/0 PER PHASE AND NEUTRAL
- GROUND LUGS ARE PROVIDED STANDARD AS FOLLOWS:
(3) #6 AWG- 250 MCM CU/AL CABLE
- NORMAL CABLE CONNECTIONS SUITABLE FOR (1) #1 AWG TO 600 MCM OR (2) #1 AWG TO 250 MCM PER Ø AND NEUTRAL.

CIRCUIT BREAKER: ITEM 52U

SQUARE "D" 80% RATED, TYPE 'LHL', 400AF/250AT, 400AF/300AT, 400AF/350AT, 400AF/400AT, MOLDED CASE CIRCUIT BREAKER, THERMAL MAGNETIC, TRIP SETTINGS.

ONE LINE DIAGRAMS



H	221371	DP	RN	1/13/09
G	218000	AE	WK	1/17/08
F	216641	AE	WK	1/10/08
E	209449	KH	WK	8/17/06
D	207206	PBP	BK	01/12/06
C	203411	CC	BK	02/05
B	202191	MM	BK	10/21/04
A	167216	MM	WK	06/03/04
-	167025	MM	WK	05/17/04
ISSUED				

PROJECT NAME: SERVICE ENTRANCE 250-400A, TYPE 1 ENCLOSURE		CHANGE LETTER	ECN NO.	BY	APP.	DATE
OUTLINE MOUNTING		AE	MM	WK	MM	WK
SERVICE ENTRANCE 250-400A		CH	MM	WK	MM	WK
E7AUS/E4AUS/E3AUS		AG	MM	WK	MM	WK
DRAWN BY: MM 05/17/04		MANUFACTURING TOLERANCES TO BE IN ACCORDANCE WITH ASCO PROCEDURE MP-1-003. FOR PLASTIC PARTS SEE MP-1-055		ASSEM. REF. NO.		
CHECKED: BK 05/17/04		PROPERTY OF ASCO POWER TECHNOLOGIES. USE PERMITTED FOR OUR WORK ONLY. ALL RIGHTS OF DESIGN OR INVENTION ARE RESERVED.		SCALE: 1:1 ACAD FILE		
DRAWING APPROVAL: WK 05/17/04		ASCO		SHEET NO. DS1754576		
FINAL APPROVAL:		ASCO POWER TECHNOLOGIES, L.P.		CHANGE LETTER H ECN NO. 221371 SHEET 1 OF 1		

D
C
B
A