

COMPOSITE OUTLINE FOR **ASCO** 7000 SERIES (E7AUS), 4000 SERIES (E4AUS) & 300 SERIES (E3AUS) 225-400 AMPERE SERVICE ENTRANCE BREAKER TRANSFER SWITCHES

GENERAL NOTES

- UL 508, TYPE 3R/12 WALL MOUNTED ENCLOSURE.
- DOOR HINGED ON LEFT SIDE. DOOR CLAMPS ON ONE SIDE, SEAL GASKETED DOOR. HASP AND STAPLE FOR PADLOCKING.
- FINISH: ANSI 61 GRAY POLYESTER SEMI GLOSS ELECTROSTATIC POWDER.
- RECOMMENDED CLEARANCES:
FRONT: 36 INCHES
- ALL BUS IS SILVER-PLATED COPPER, BASED ON 1000A PER SQ. IN. DENSITY.
- A FULL RATED NEUTRAL CONNECTION FOR EACH SOURCE AND THE LOAD IS OPTIONAL. WHEN PROVIDED IT IS IN ONE OF THE FOLLOWING FORMATS AS SPECIFIED BY THE CATALOG NO. NEUTRAL TYPE;
 - SOLID (COPPER BUS) NEUTRAL (PROVIDED STANDARD ON E3AUS)
 - SWITCHED NEUTRAL POLE (1Ø, 3W ONLY)
 - OVERLAPPING NEUTRAL POLE
- DESIGNED FOR FRONT ACCESS ONLY.
- TO CONVERT FROM TYPE 12 ENCLOSURE INTO TYPE 3R ENCLOSURE, DRILL (2) .25 DIA HOLES AS SHOWN.
- FOR SPECIFIED TRANSFER SWITCH, REFER TO OPERATOR'S MANUAL PROVIDED WITH UNIT.

SPECIFICATIONS

- SERVICE VOLTAGE:
SYSTEM RATING: 225 AMPS, 250 AMPS, 300 AMPS, 350 AMPS, 400 AMPS, 3Ø, 4W OR 1Ø, 3W.
GROUND BUS- 150 AMPS
SHORT CIRCUIT RATING- 35,000 RMS SYM AMPERES @ 480V.
THE EMERGENCY SOURCE INPUT MUST BE PROTECTED BY A REMOTE OVERCURRENT PROTECTION DEVICE AS LISTED ON THE MARKINGS ON THE TRANSFER SWITCH.
- BATTERY VOLTAGE: N/A
- NEUTRAL BUS: A FULL RATED NEUTRAL IS PROVIDED.
- APPLICABLE LABELS: U.L. 1008- SUITABLE ONLY FOR USE AS SERVICE EQUIPMENT.

NOTES 225-250 AMPS

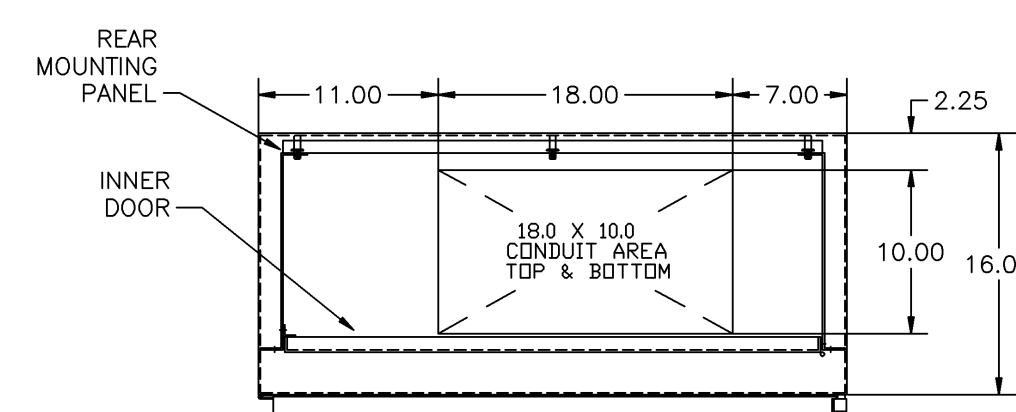
- SUPPLIED WITH STANDARD MECHANICAL (SCREW TYPE) LUGS ON THE EMERGENCY & LOAD BUS STABS. ONE (1) LUG PER PHASE AND NEUTRAL EACH SUITABLE FOR CONNECTION OF (1) #4 AWG TO 600MCM OR (2) 1/0 AWG TO 250MCM CU/AL CABLE (SEE NOTE "A" BELOW).
A. SUITABLE WIRE BENDING SPACE IS PROVIDED FOR UP TO TWO (2) 1/0 AWG CABLE PER TERMINAL PER NEC.
- FACTORY WIRING: (1) 300MCM PER PHASE AND NEUTRAL
- GROUND LUGS ARE PROVIDED STANDARD AS FOLLOWS:
(3) #6 AWG- 250 MCM CU/AL CABLE
- NORMAL CABLE CONNECTIONS SUITABLE FOR (1) #1 AWG TO 600 MCM OR (2) #1 AWG TO 250 MCM PER Ø AND NEUTRAL.

NOTES 300-400 AMPS

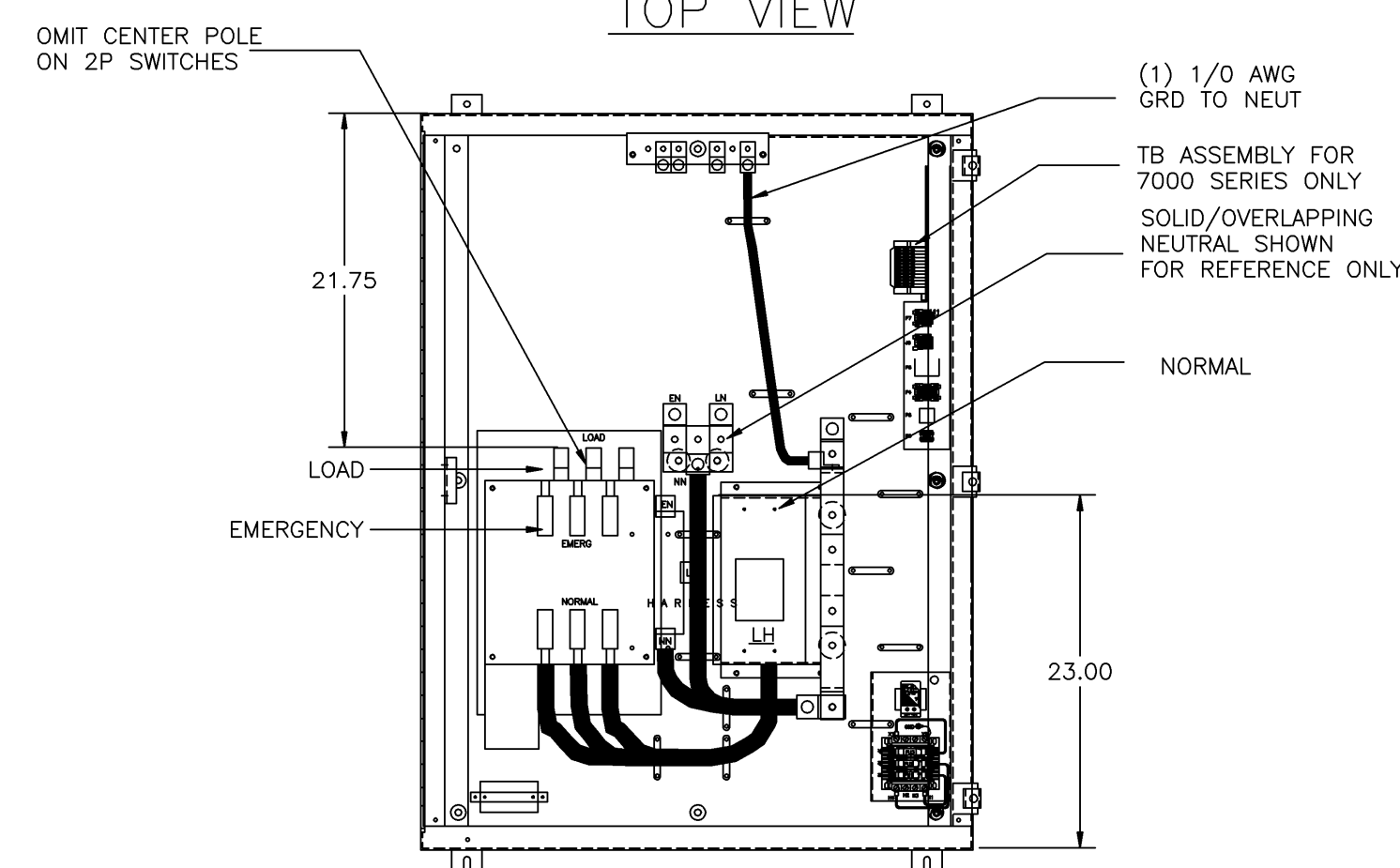
- SUPPLIED WITH STANDARD MECHANICAL (SCREW TYPE) LUGS ON THE EMERGENCY & LOAD BUS STABS. ONE (1) LUG PER PHASE AND NEUTRAL EACH SUITABLE FOR CONNECTION OF (1) #4 AWG TO 600MCM OR (2) 1/0 AWG TO 250MCM CU/AL CABLE (SEE NOTE "A" BELOW).
A. SUITABLE WIRE BENDING SPACE IS PROVIDED FOR UP TO TWO (2) 1/0 AWG CABLE PER TERMINAL PER NEC.
- FACTORY WIRING: (2) 3/0 PER PHASE AND NEUTRAL
- GROUND LUGS ARE PROVIDED STANDARD AS FOLLOWS:
(3) #6 AWG- 250 MCM CU/AL CABLE
- NORMAL CABLE CONNECTIONS SUITABLE FOR (1) #1 AWG TO 600 MCM OR (2) #1 AWG TO 250 MCM PER Ø AND NEUTRAL.

CIRCUIT BREAKER: ITEM 52U

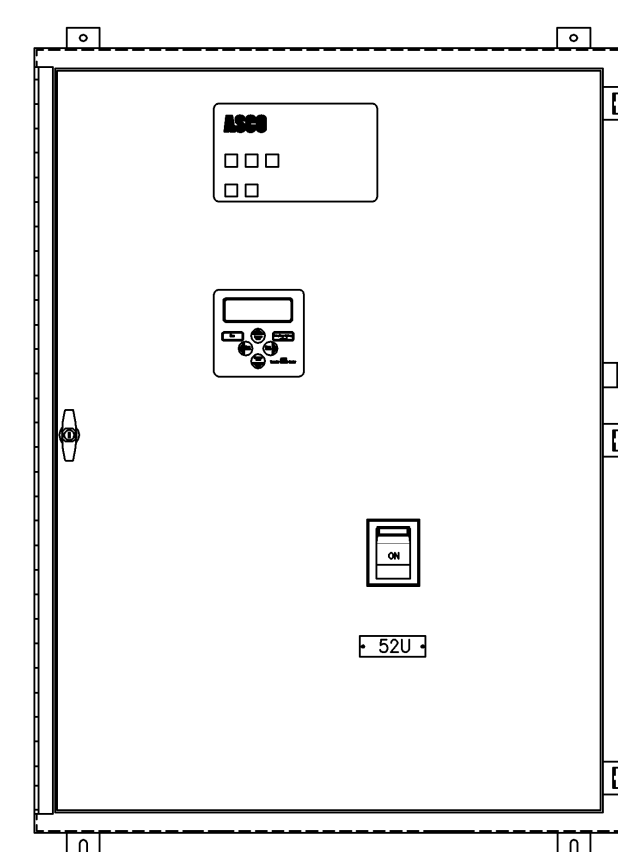
SQUARE "D" 80% RATED, TYPE 'LHL', 400AF/225AT, 400AF/250AT, 400AF/300AT, 400AF/350AT, 400AF/400AT, MOLDED CASE CIRCUIT BREAKER, THERMAL MAGNETIC, TRIP SETTINGS.



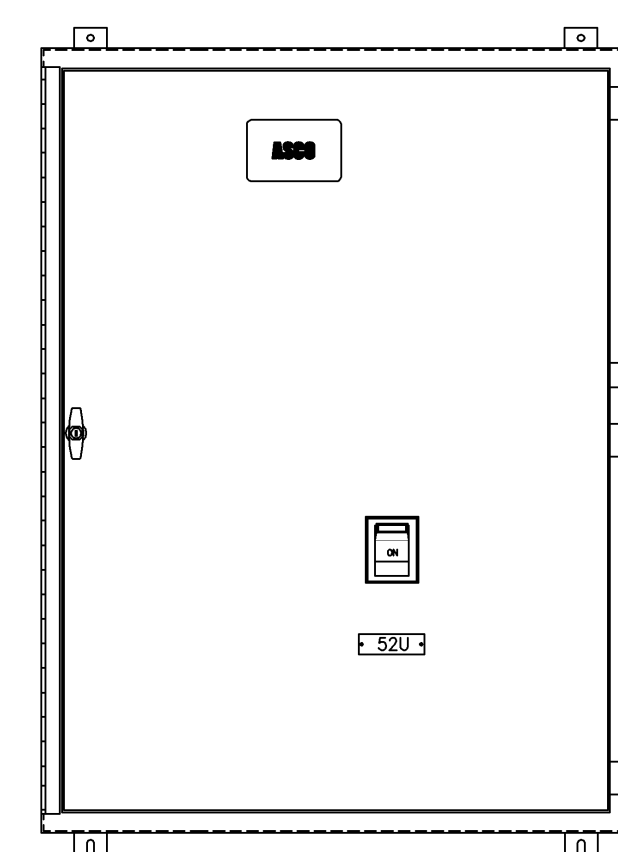
TOP VIEW



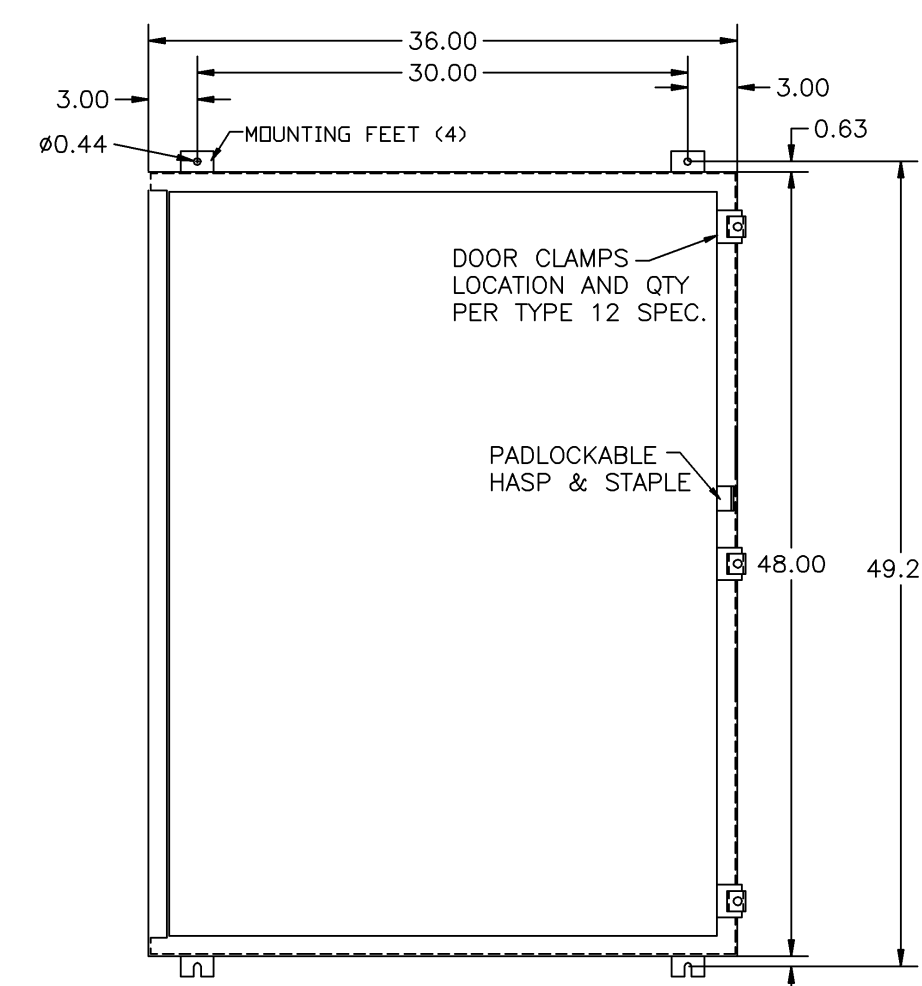
FRONT VIEW WITHOUT INNER DOOR



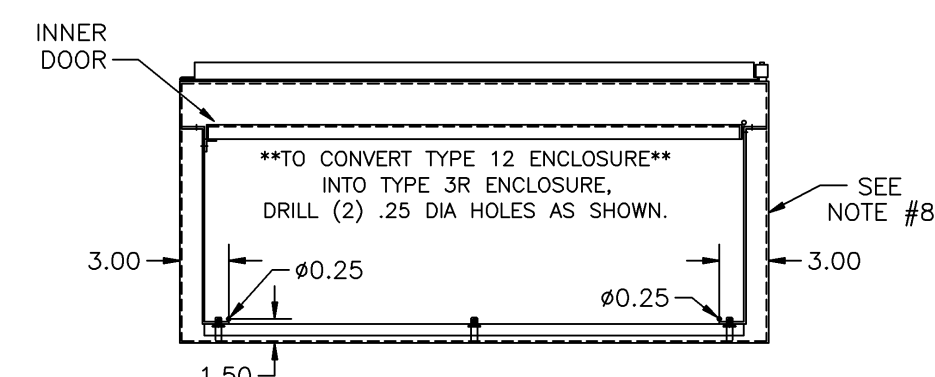
INNER DOOR FRONT VIEW
7000 SERIES/4000 SERIES



INNER DOOR FRONT VIEW
300 SERIES

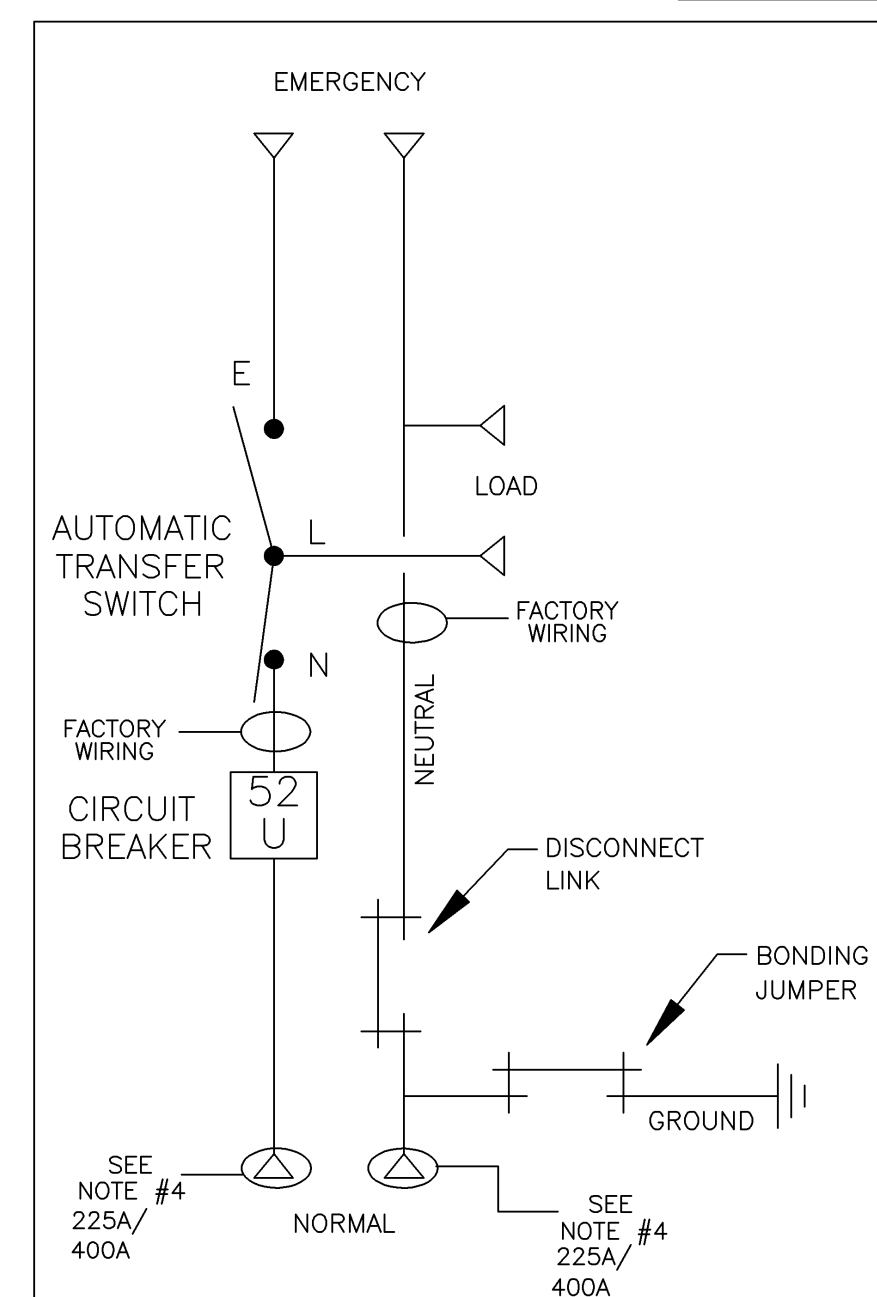


FRONT VIEW

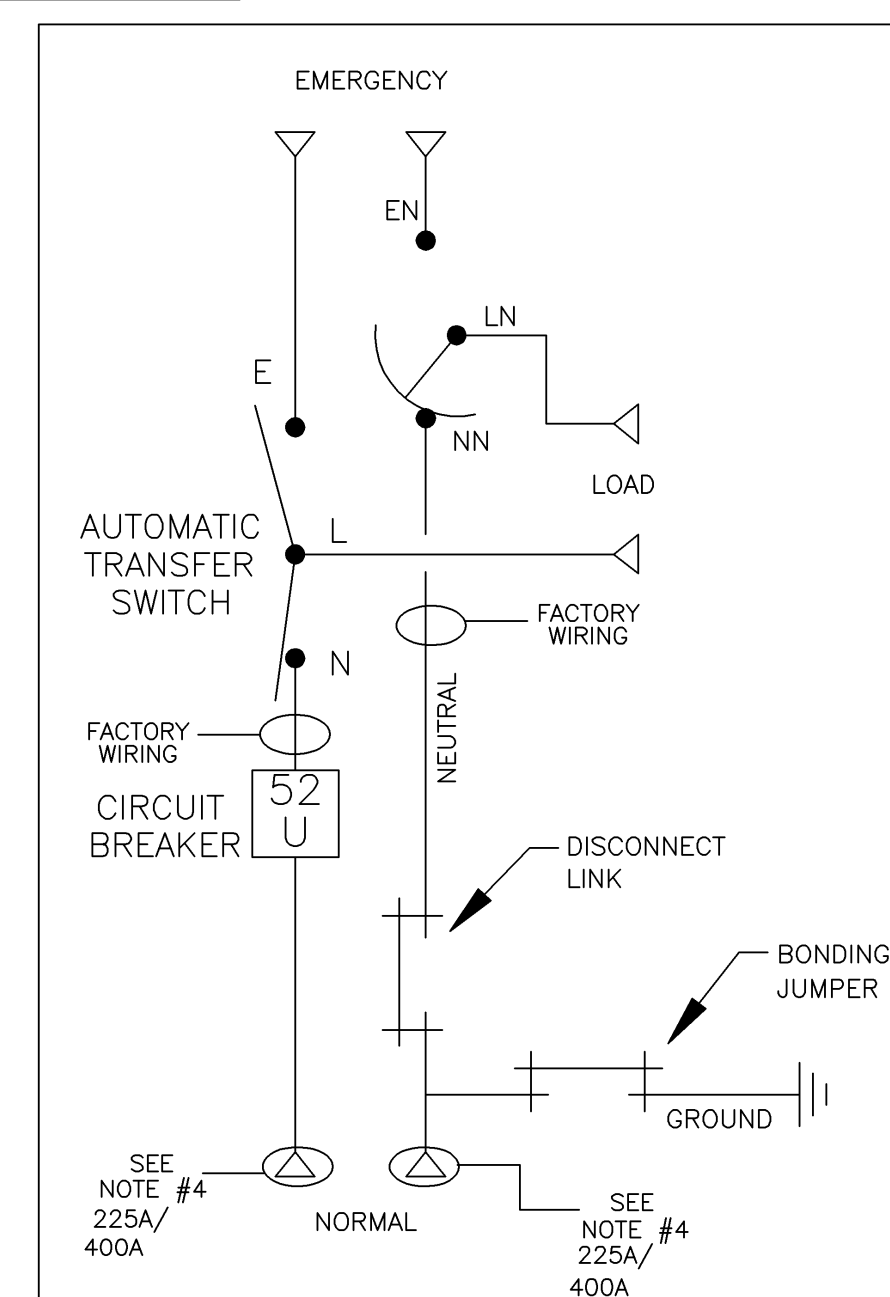


BOTTOM VIEW **TYPE 3R ONLY**

ONE LINE DIAGRAMS



(WITH SOLID NEUTRAL)



(WITH SWITCHED/OVERLAPPING NEUTRAL)

| | | | | |
|-------------------|--------|-----|-----|----------|
| J | 229749 | MM | MLR | 11/18/10 |
| SEE ECN | | | | |
| H | 225159 | DAJ | BK | 11/16/09 |
| SEE ECN | | | | |
| G | 221371 | DP | RN | 1/17/08 |
| ADDED "80% RATED" | | | | |
| F | 218000 | AE | WK | 1/17/08 |
| SEE ECN | | | | |
| E | 216641 | AE | WK | 1/10/08 |
| SEE ECN | | | | |
| D | 209542 | BWN | BWN | 7/28/06 |
| UPDATE VIEWS | | | | |
| C | 207225 | PBP | BK | 01/13/06 |
| SEE ECN | | | | |
| B | 203411 | CC | BK | 02/05 |
| SEE ECN | | | | |
| A | 202191 | MM | BK | 10/21/04 |
| SEE ECN | | | | |
| - | 167203 | MM | WK | 06/02/04 |
| ISSUED | | | | |

| | | | | | | |
|---|----|---------------------------------------|----------|---|-----------------|----------------------------|
| PROJECT NAME: SERVICE ENTRANCE 225-400A, TYPE 3R/12 ENCLOSURE | | REV TO SHEET | ECN NO. | BY | APP. | DATE |
| OUTLINE | | MOUNTING | | | | |
| SERVICE ENTRANCE 225-400A | | | | | | |
| E7AUS/E4AUS/E3AUS | | | | | | |
| DRAWN BY | MM | DATE | 06/02/04 | MANUFACTURING TOLERANCES TO BE IN ACCORDANCE WITH ASCO PROCEDURE MP-003. FOR PLASTIC PARTS SEE MP-1-055 | ASSEM. REF. NO. | COMPUTER GENERATED DRAWING |
| CHECKED | BK | DATE | 06/02/04 | PROPERTY OF ASCO POWER TECHNOLOGIES. USE PERMITTED FOR OUR WORK ONLY. ALL RIGHTS OF DESIGN OR INVENTION ARE RESERVED. | | SCALE 1:1 SIZE DS |
| PROJECT APPROVAL | WK | DATE | 06/02/04 | | | DWG. NO. 754576-002 |
| FINAL APPROVAL | | | | | | 754576-002 |
| ASCO | | ASCO POWER TECHNOLOGIES, L.P. | | DRAWING REV. J ECN 229749 SHEET 1 OF 1 | | |
| | | FLORHAM PARK, NEW JERSEY 07832 U.S.A. | | | | |