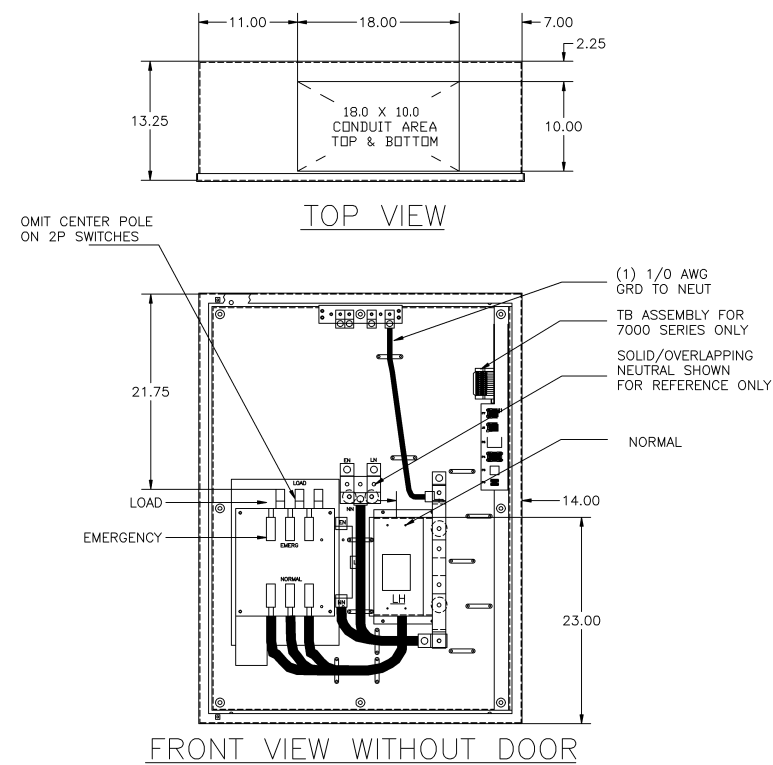
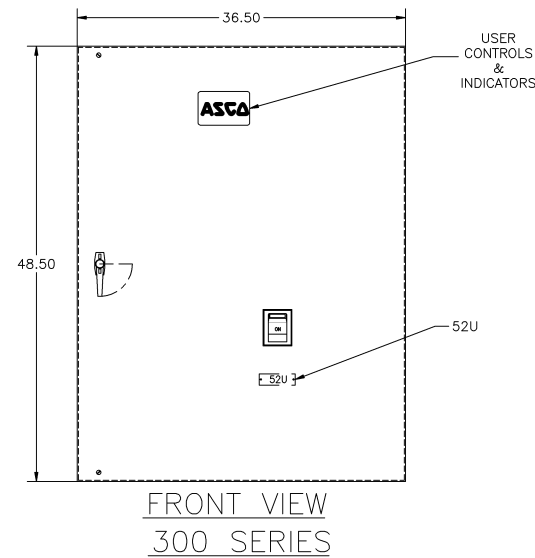
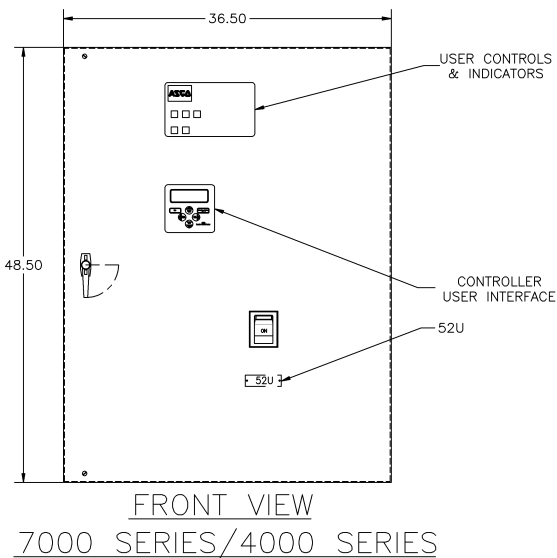


COMPOSITE OUTLINE FOR **ASCO** 7000 SERIES (E7AUS), 4000 SERIES (E4AUS) & 300 SERIES (E3AUS) 250-400 AMPERE WITH SERVICE ENTRANCE BREAKER

D
C
B
A



- ### GENERAL NOTES
- TYPE 1 WALL MOUNTED ENCLOSURE.
 - DOOR HAS KEY LOCKABLE HANDLE AND CAPTIVE SCREWS AS REQUIRED.
 - FINISH: ANSI 61 GRAY POLYESTER SEMI GLOSS ELECTROSTATIC POWDER.
 - RECOMMENDED CLEARANCES:
FRONT: 36 INCHES
 - ALL BUS IS SILVER-PLATED COPPER, BASED ON 1000A PER SQ. IN. DENSITY.
 - A FULL RATED NEUTRAL CONNECTION FOR EACH SOURCE AND THE LOAD IS OPTIONAL. WHEN PROVIDED IT IS IN ONE OF THE FOLLOWING FORMATS AS SPECIFIED BY THE CATALOG NO. NEUTRAL TYPE:
 - SOLID (COPPER BUS) NEUTRAL (PROVIDED STANDARD ON E3AUS)
 - OVERLAPPING NEUTRAL POLE
 - DESIGNED FOR FRONT ACCESS ONLY.
 - FOR SPECIFIED TRANSFER SWITCH, REFER TO OPERATOR'S MANUAL PROVIDED WITH UNIT.

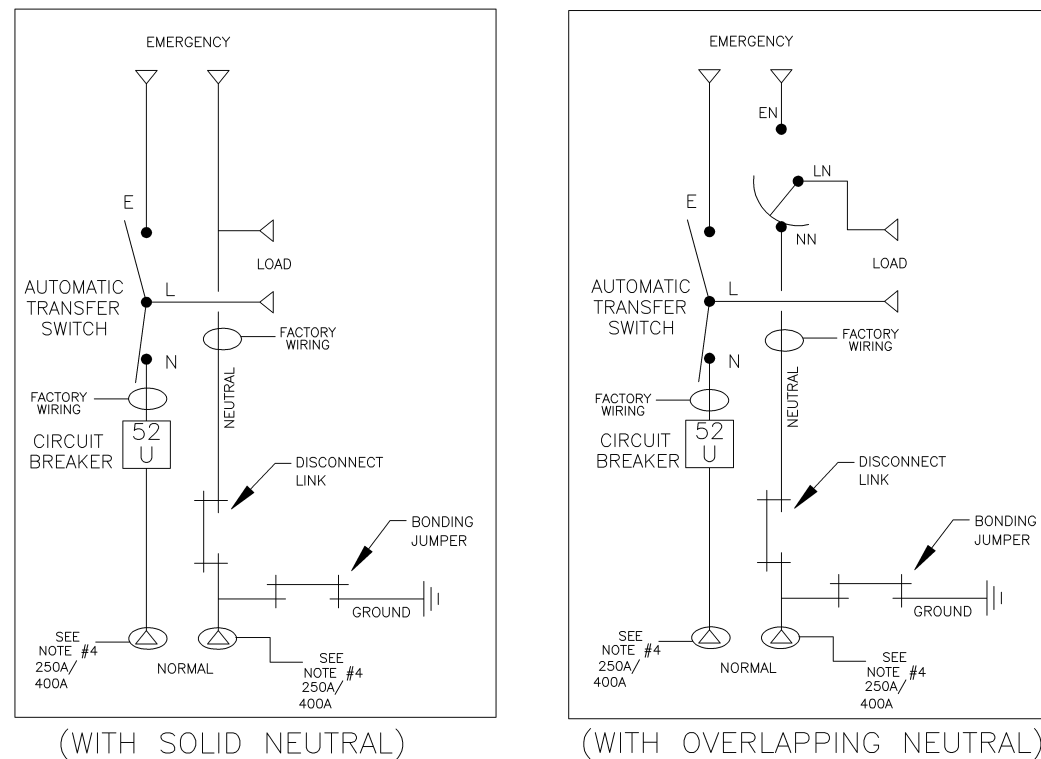
- ### SPECIFICATIONS
- SERVICE VOLTAGE:
SYSTEM RATING: 250 AMPS, 300 AMPS, 350 AMPS, 400 AMPS, 3Ø, 4W OR 1Ø, 3W.
GROUND BUS- 150 AMPS
SHORT CIRCUIT RATING- 35,000 RMS SYM AMPERES @ 480V.
THE EMERGENCY SOURCE INPUT MUST BE PROTECTED BY A REMOTE OVERCURRENT PROTECTION DEVICE AS LISTED ON THE MARKINGS ON THE TRANSFER SWITCH.
 - BATTERY VOLTAGE: N/A
 - NEUTRAL BUS: A FULL RATED NEUTRAL IS PROVIDED.
 - APPLICABLE LABELS: U.L. 1008- SUITABLE ONLY FOR USE AS SERVICE EQUIPMENT.

- ### NOTES 250 AMPS
- SUPPLIED WITH STANDARD MECHANICAL (SCREW TYPE) LUGS ON THE EMERGENCY & LOAD BUS STABS. ONE (1) LUG PER PHASE AND NEUTRAL EACH SUITABLE FOR CONNECTION OF (1) #4 AWG TO 600MCM OR (2) 1/0 AWG TO 250MCM CU/AL CABLE (SEE NOTE "A" BELOW).
 - SUITABLE WIRE BENDING SPACE IS PROVIDED FOR UP TO TWO (2) 1/0 AWG CABLE PER TERMINAL PER NEC.
 - FACTORY WIRING: (1) 300MCM PER PHASE AND NEUTRAL
 - GROUND LUGS ARE PROVIDED STANDARD AS FOLLOWS:
(3) #6 AWG- 250 MCM CU/AL CABLE
 - NORMAL CABLE CONNECTIONS SUITABLE FOR (1) #1 AWG TO 600 MCM OR (2) #1 AWG TO 250 MCM PER Ø AND NEUTRAL.

- ### NOTES 300-400 AMPS
- SUPPLIED WITH STANDARD MECHANICAL (SCREW TYPE) LUGS ON THE EMERGENCY & LOAD BUS STABS. ONE (1) LUG PER PHASE AND NEUTRAL EACH SUITABLE FOR CONNECTION OF (1) #4 AWG TO 600MCM OR (2) 1/0 AWG TO 250MCM CU/AL CABLE (SEE NOTE "A" BELOW).
 - SUITABLE WIRE BENDING SPACE IS PROVIDED FOR UP TO TWO (2) 1/0 AWG CABLE PER TERMINAL
 - FACTORY WIRING: (2) 3/0 PER PHASE AND NEUTRAL
 - GROUND LUGS ARE PROVIDED STANDARD AS FOLLOWS:
(3) #6 AWG- 250 MCM CU/AL CABLE
 - NORMAL CABLE CONNECTIONS SUITABLE FOR (1) #1 AWG TO 600 MCM OR (2) #1 AWG TO 250 MCM PER Ø AND NEUTRAL.

CIRCUIT BREAKER: ITEM 52U
SQUARE "D" 80% RATED, TYPE 'LHL', 400AF/250AT, 400AF/300AT, 400AF/350AT, 400AF/400AT, MOLDED CASE CIRCUIT BREAKER, THERMAL MAGNETIC, TRIP SETTINGS.

ONE LINE DIAGRAMS



221371	DP	RN	1/13/09
218000	AE	WK	1/17/08
216641	AE	WK	1/10/08
209449	KH	WK	8/17/06
207206	PBP	BK	01/12/06
203411	CC	BK	02/05
202191	MM	BK	10/21/04
167216	MM	WK	06/03/04
167025	MM	WK	05/17/04
ISSUED			

PROJECT NAME: SERVICE ENTRANCE 250-400A, TYPE 1 ENCLOSURE		CHANGE LETTER	ECN NO.	BY	APP.	DATE
OUTLINE	MOUNTING					
SERVICE ENTRANCE 250-400A		SUBSIDIARY DISTRIBUTION				
E7AUS/E4AUS/E3AUS		AE	AW	AW	AL	AL
		CH	AW	AK	PS	AR
		AG	AP	AC	AS	AS
DRAWN BY: MM 05/17/04		MANUFACTURING TOLERANCES TO BE IN ACCORDANCE WITH ASCO PROCEDURE MP-1-003. FOR PLASTIC PARTS SEE MP-1-055		ASSEM. REF. NO.		
CHECKED: BK 05/17/04		PROPERTY OF ASCO POWER TECHNOLOGIES. USE PERMITTED FOR OUR WORK ONLY. ALL RIGHTS OF DESIGN OR INVENTION ARE RESERVED.		SCALE: 1:1 ACAD FILE		
DRAWING APPROVAL: WK 05/17/04		ASCO		SHEET NO. DS1754576		
FINAL APPROVAL:		ASCO POWER TECHNOLOGIES, L.P.		CHANGE LETTER H ECN NO. 221371 SHEET 1 OF 1		
		FLORHAM PARK, NEW JERSEY 07932 U.S.A.				

D
C
B
A