

OUTLINE FOR ASCO® 300 SERIES TRANSFER SWITCHES (E3ATS/E3NTS) 260 & 400 AMPERES, TYPE 1 ENCLOSURE

GENERAL NOTES

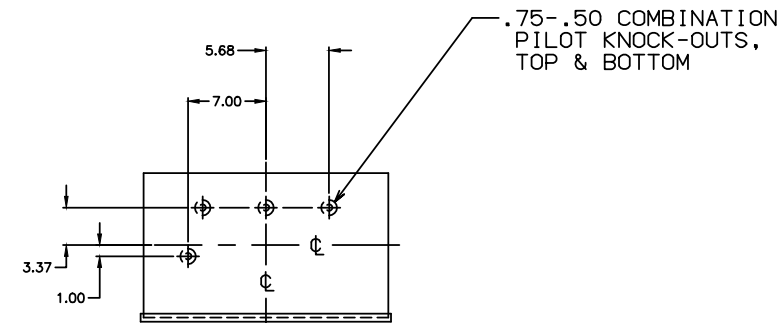
- UL LISTED (UL 50) TYPE 1 ENCLOSURE. WALL MOUNTED.
- UL LISTED (UL 1008) TRANSFER SWITCH FOR USE ON EMERGENCY SYSTEMS.
- PAN TYPE DOOR WITH LOCKABLE HANDLE.
- FINISH: ANSI 61 GRAY, POLYESTER POWDER STANDARD.
- UNIT IS DESIGNED FOR COMBINATION TOP AND BOTTOM CABLE ENTRY. THE TRANSFER SWITCH CONFIGURATION PROVIDES TOP LUGS FOR EMERGENCY AND LOAD, BOTTOM LUGS FOR NORMAL.
- A FULL RATED NEUTRAL IS OPTIONAL. WHEN PROVIDED IT IS ONE OF THE FOLLOWING TYPES AS INDICATED IN THE CATALOG NO. NEUTRAL TYPE DESIGNATION;
 - "A" SOLID NEUTRAL
 - "B" SWITCHED NEUTRAL POLE (PROVIDED ON 2 POLE UNITS ONLY)
 - "C" OVERLAPPING NEUTRAL POLE
- REFER TO THE OPERATOR'S MANUAL PROVIDED WITH EACH UNIT BEFORE INSTALLING AND OPERATING THE SWITCH.

CABLING NOTES

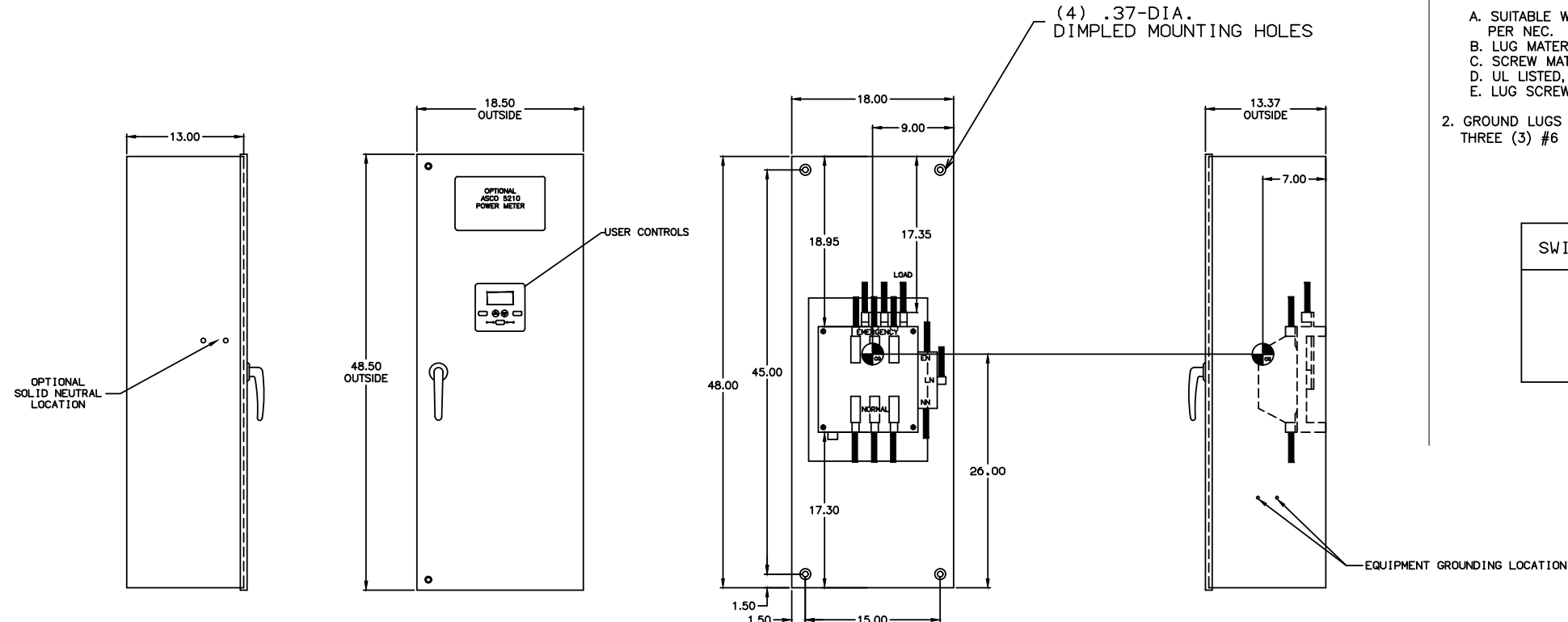
- SUPPLIED WITH STANDARD MECHANICAL (SCREW TYPE) LUGS ON THE NORMAL, EMERGENCY & LOAD. ONE (1) LUG PER PHASE AND NEUTRAL EACH SUITABLE FOR CONNECTION OF: TWO (2) 1/0 -250MCM CU/AL CABLES OR ONE (1) #4 -600MCM CU/AL CABLE.
 - A. SUITABLE WIRE BENDING SPACE IS PROVIDED FOR UP TO ONE (1) 600MCM CABLE PER TERMINAL PER NEC.
 - B. LUG MATERIAL: ALUMINUM ALLOY WITH ELECTRO TIN PLATED FINISH.
 - C. SCREW MATERIAL: ALUMINUM ALLOY WITH ELECTRO TIN PLATED FINISH.
 - D. UL LISTED, CSA CERTIFIED.
 - E. LUG SCREW TIGHTENING TORQUE PER UL 486B: 600 IN-LBS.
- GROUND LUGS ARE PROVIDED STANDARD AS FOLLOWS; THREE (3) #6 -250MCM CU/AL CABLES.

UNIT WEIGHT

SWITCH RATING (AMPS)	POLES	WEIGHTS LB (KG)
260 & 400	2	117 (53)
	2 & NEUTRAL	125 (57)
	3	125 (87)
	3 & NEUTRAL	133 (61)



TOP VIEW
TYP TOP & BOTTOM



LEFT SIDE

FRONT VIEW
WITH DOOR

FRONT VIEW
WITHOUT DOOR

RIGHT SIDE

⊙ CENTER OF GRAVITY

PROJECT NAME:		REV. TO SHEET	ECH. NO.	BY	APP.	DATE
COMPOSITE OUTLINE		243089	SDH	SDH	06/26/13	ISSUE
300 SERIES, E3ATS/E3NTS RATED 260 & 400 AMPERES		THIRD ANGLE PROJECTION				
TYPE 1 ENCLOSURE		COMPUTER GENERATED DRAWING				
DRAWN BY	DATE	MANUFACTURING TOLERANCES TO BE IN ACCORDANCE WITH ASCO PROCEDURE MP-1-003. FOR PLASTIC PARTS SEE MP-1-005.		ASSEM. REF. NO.		SCALE 1/8" = 1" SIZE DS
CHECKED		PROPERTY OF ASCO POWER TECHNOLOGIES. USE PERMITTED FOR OUR WORK ONLY. ALL RIGHTS OF DESIGN OR INVENTION ARE RESERVED.		DWG. NO.		978732
PROJECT APPROVAL		ASCO® ASCO POWER TECHNOLOGIES, L.P. FLORHAM PARK, NEW JERSEY 07932 U.S.A.		ISSUING REV.		243089
FINAL APPROVAL	SDH 06/26/13			SHEET		1 OF 1