

OUTLINE FOR ASCO® 300 SERIES TRANSFER SWITCHES (E3ATS/E3NTS) 260 & 400 AMPERES, TYPE 1 ENCLOSURE

GENERAL NOTES

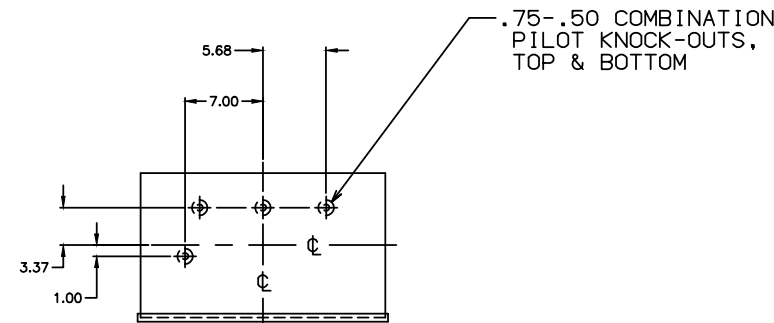
1. UL LISTED (UL 50) TYPE 1 ENCLOSURE. WALL MOUNTED.
2. UL LISTED (UL 1008) TRANSFER SWITCH FOR USE ON EMERGENCY SYSTEMS.
3. PAN TYPE DOOR WITH LOCKABLE HANDLE.
4. FINISH: ANSI 61 GRAY, POLYESTER POWDER STANDARD.
5. UNIT IS DESIGNED FOR COMBINATION TOP AND BOTTOM CABLE ENTRY. THE TRANSFER SWITCH CONFIGURATION PROVIDES TOP LUGS FOR EMERGENCY AND LOAD, BOTTOM LUGS FOR NORMAL.
6. A FULL RATED NEUTRAL IS OPTIONAL. WHEN PROVIDED IT IS ONE OF THE FOLLOWING TYPES AS INDICATED IN THE CATALOG NO. NEUTRAL TYPE DESIGNATION;
 - "A" SOLID NEUTRAL
 - "B" SWITCHED NEUTRAL POLE (PROVIDED ON 2 POLE UNITS ONLY)
 - "C" OVERLAPPING NEUTRAL POLE
7. REFER TO THE OPERATOR'S MANUAL PROVIDED WITH EACH UNIT BEFORE INSTALLING AND OPERATING THE SWITCH.

CABLING NOTES

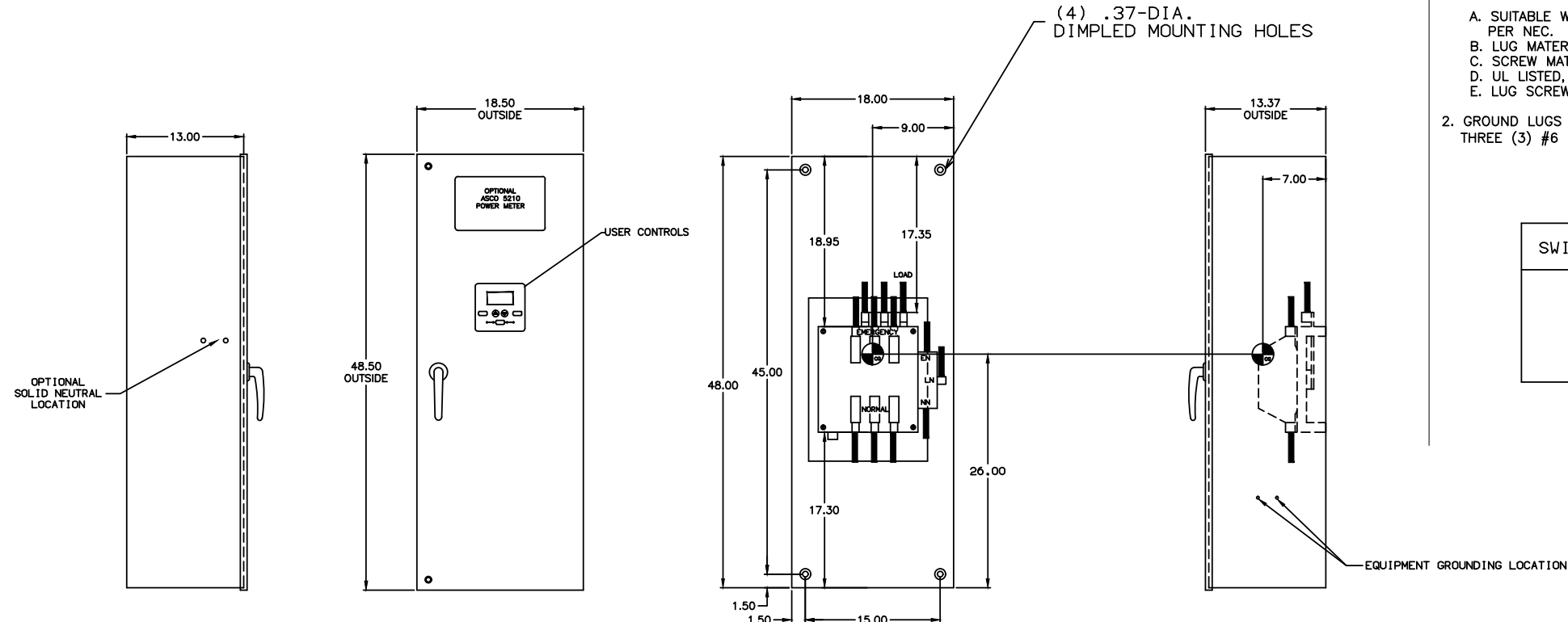
1. SUPPLIED WITH STANDARD MECHANICAL (SCREW TYPE) LUGS ON THE NORMAL, EMERGENCY & LOAD. ONE (1) LUG PER PHASE AND NEUTRAL EACH SUITABLE FOR CONNECTION OF:
 - TWO (2) 1/0 -250MCM CU/AL CABLES OR ONE (1) #4 -600MCM CU/AL CABLE.
 - A. SUITABLE WIRE BENDING SPACE IS PROVIDED FOR UP TO ONE (1) 600MCM CABLE PER TERMINAL PER NEC.
 - B. LUG MATERIAL: ALUMINUM ALLOY WITH ELECTRO TIN PLATED FINISH.
 - C. SCREW MATERIAL: ALUMINUM ALLOY WITH ELECTRO TIN PLATED FINISH.
 - D. UL LISTED, CSA CERTIFIED.
 - E. LUG SCREW TIGHTENING TORQUE PER UL 486B: 600 IN-LBS.
2. GROUND LUGS ARE PROVIDED STANDARD AS FOLLOWS;
 - THREE (3) #6 -250MCM CU/AL CABLES.

UNIT WEIGHT

SWITCH RATING (AMPS)	POLES	WEIGHTS LB (KG)
260 & 400	2	117 (53)
	2 & NEUTRAL	125 (57)
	3	125 (87)
	3 & NEUTRAL	133 (61)



TOP VIEW
TYP TOP & BOTTOM



LEFT SIDE

FRONT VIEW
WITH DOOR

FRONT VIEW
WITHOUT DOOR

RIGHT SIDE

⊙ CENTER OF GRAVITY

PROJECT NAME:		REV. TO SHEET	ECH. NO.	BY	APP.	DATE
COMPOSITE OUTLINE		243089	SDH	SDH	06/26/13	ISSUE
300 SERIES, E3ATS/E3NTS RATED 260 & 400 AMPERES		 THIRD ANGLE PROJECTION				
TYPE 1 ENCLOSURE						
DRAWN BY	DATE	MANUFACTURING TOLERANCES TO BE IN ACCORDANCE WITH ASCO PROCEDURE MP-1-003. FOR PLASTIC PARTS SEE MP-1-005.		ASSEM. REF. NO.		COMPUTER GENERATED DRAWING
CHECKED	DATE	PROPERTY OF ASCO POWER TECHNOLOGIES. USE PERMITTED FOR OUR WORK ONLY. ALL RIGHTS OF DESIGN OR INVENTION ARE RESERVED.		SCALE 1/8" = 1" SIZE DS		DS
PROJECT APPROVAL	DATE	SDH		978732		DWG. NO.
FINAL APPROVAL	DATE	SDH		978732		ISSUING NO.
		ASCOTM		243089		SHEET 1 OF 1