

COMPOSITE OUTLINE FOR **ASCO** 7000 SERIES (E7AUS), 4000 SERIES (E4AUS) & 300 SERIES (E3AUS) 225-400 AMPERE SERVICE ENTRANCE BREAKER TRANSFER SWITCHES

GENERAL NOTES

- UL 508, TYPE 3R/12 WALL MOUNTED ENCLOSURE.
- DOOR HINGED ON LEFT SIDE. DOOR CLAMPS ON ONE SIDE, SEAL GASKETED DOOR. HASP AND STAPLE FOR PADLOCKING.
- FINISH: ANSI 61 GRAY POLYESTER SEMI GLOSS ELECTROSTATIC POWDER.
- RECOMMENDED CLEARANCES:
FRONT: 36 INCHES
- ALL BUS IS SILVER-PLATED COPPER, BASED ON 1000A PER SQ. IN. DENSITY.
- A FULL RATED NEUTRAL CONNECTION FOR EACH SOURCE AND THE LOAD IS OPTIONAL. WHEN PROVIDED IT IS IN ONE OF THE FOLLOWING FORMATS AS SPECIFIED BY THE CATALOG NO. NEUTRAL TYPE;
 - SOLID (COPPER BUS) NEUTRAL (PROVIDED STANDARD ON E3AUS)
 - SWITCHED NEUTRAL POLE (1Ø, 3W ONLY)
 - OVERLAPPING NEUTRAL POLE
- DESIGNED FOR FRONT ACCESS ONLY.
- TO CONVERT FROM TYPE 12 ENCLOSURE INTO TYPE 3R ENCLOSURE, DRILL (2) .25 DIA HOLES AS SHOWN.
- FOR SPECIFIED TRANSFER SWITCH, REFER TO OPERATOR'S MANUAL PROVIDED WITH UNIT.

SPECIFICATIONS

- SERVICE VOLTAGE:
SYSTEM RATING: 225 AMPS, 250 AMPS, 300 AMPS, 350 AMPS, 400 AMPS, 3Ø, 4W OR 1Ø, 3W.
GROUND BUS- 150 AMPS
SHORT CIRCUIT RATING- 35,000 RMS SYM AMPERES @ 480V.
THE EMERGENCY SOURCE INPUT MUST BE PROTECTED BY A REMOTE OVERCURRENT PROTECTION DEVICE AS LISTED ON THE MARKINGS ON THE TRANSFER SWITCH.
- BATTERY VOLTAGE: N/A
- NEUTRAL BUS: A FULL RATED NEUTRAL IS PROVIDED.
- APPLICABLE LABELS: U.L. 1008- SUITABLE ONLY FOR USE AS SERVICE EQUIPMENT.

NOTES 225-250 AMPS

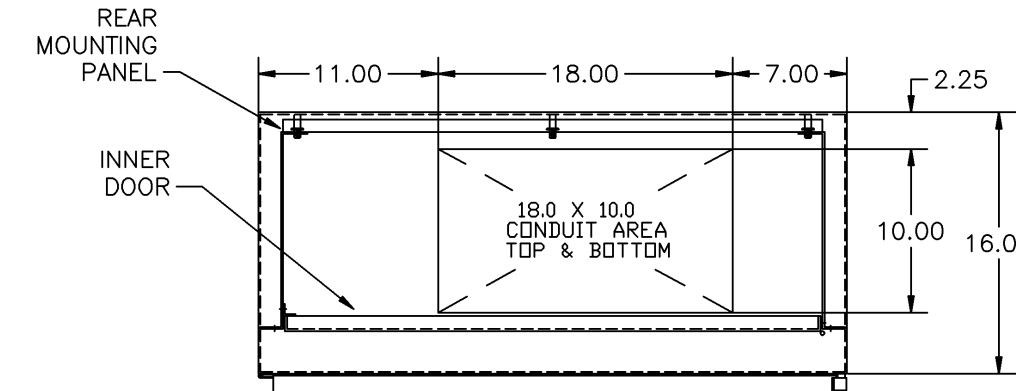
- SUPPLIED WITH STANDARD MECHANICAL (SCREW TYPE) LUGS ON THE EMERGENCY & LOAD BUS STABS. ONE (1) LUG PER PHASE AND NEUTRAL EACH SUITABLE FOR CONNECTION OF (1) #4 AWG TO 600MCM OR (2) 1/0 AWG TO 250MCM CU/AL CABLE (SEE NOTE "A" BELOW).
A. SUITABLE WIRE BENDING SPACE IS PROVIDED FOR UP TO TWO (2) 1/0 AWG CABLE PER TERMINAL PER NEC.
- FACTORY WIRING: (1) 300MCM PER PHASE AND NEUTRAL
- GROUND LUGS ARE PROVIDED STANDARD AS FOLLOWS;
(3) #6 AWG- 250 MCM CU/AL CABLE
- NORMAL CABLE CONNECTIONS SUITABLE FOR (1) #1 AWG TO 600 MCM OR (2) #1 AWG TO 250 MCM PER Ø AND NEUTRAL.

NOTES 300-400 AMPS

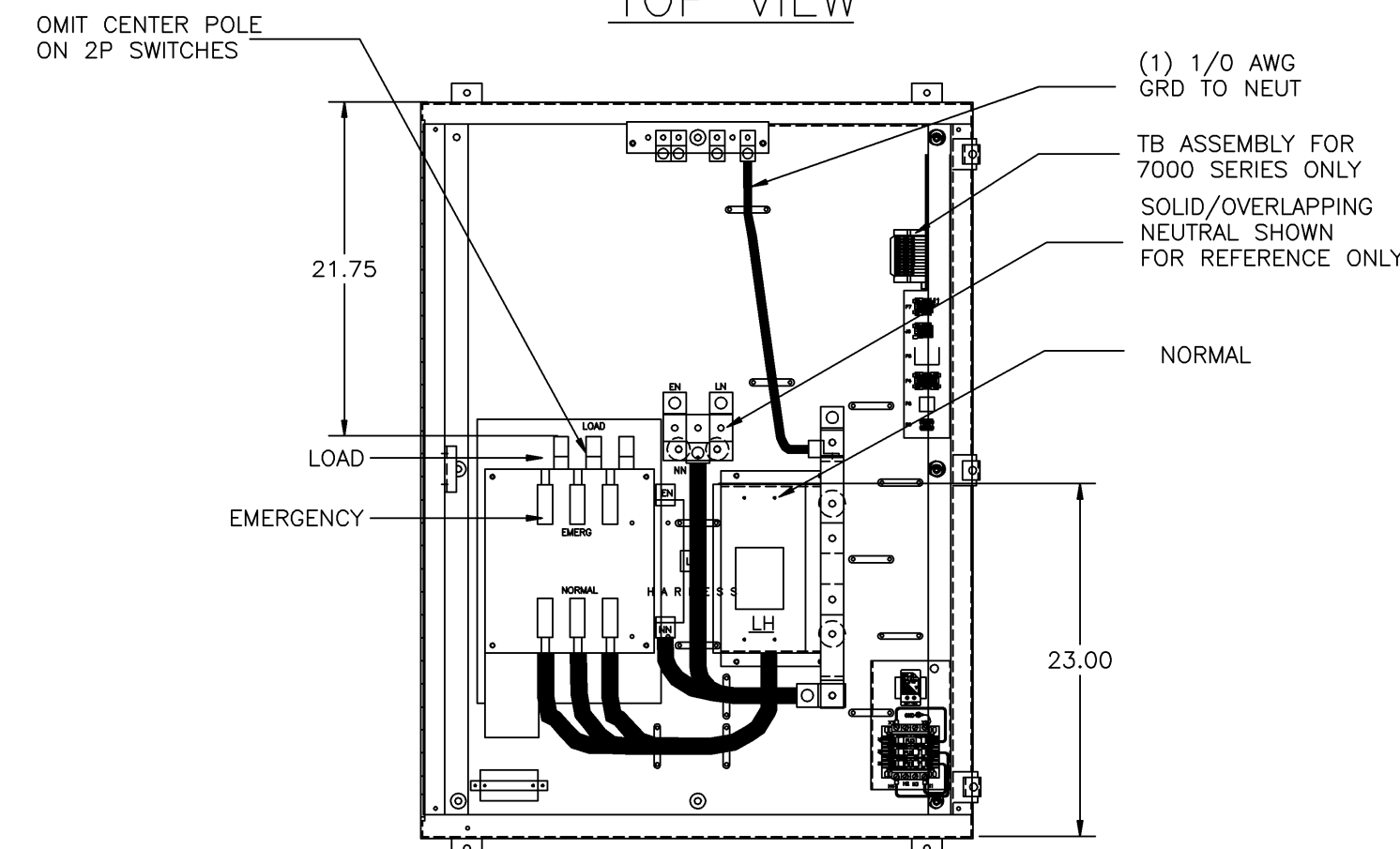
- SUPPLIED WITH STANDARD MECHANICAL (SCREW TYPE) LUGS ON THE EMERGENCY & LOAD BUS STABS. ONE (1) LUG PER PHASE AND NEUTRAL EACH SUITABLE FOR CONNECTION OF (1) #4 AWG TO 600MCM OR (2) 1/0 AWG TO 250MCM CU/AL CABLE (SEE NOTE "A" BELOW).
A. SUITABLE WIRE BENDING SPACE IS PROVIDED FOR UP TO TWO (2) 1/0 AWG CABLE PER TERMINAL PER NEC.
- FACTORY WIRING: (2) 3/0 PER PHASE AND NEUTRAL
- GROUND LUGS ARE PROVIDED STANDARD AS FOLLOWS;
(3) #6 AWG- 250 MCM CU/AL CABLE
- NORMAL CABLE CONNECTIONS SUITABLE FOR (1) #1 AWG TO 600 MCM OR (2) #1 AWG TO 250 MCM PER Ø AND NEUTRAL.

CIRCUIT BREAKER: ITEM 52U

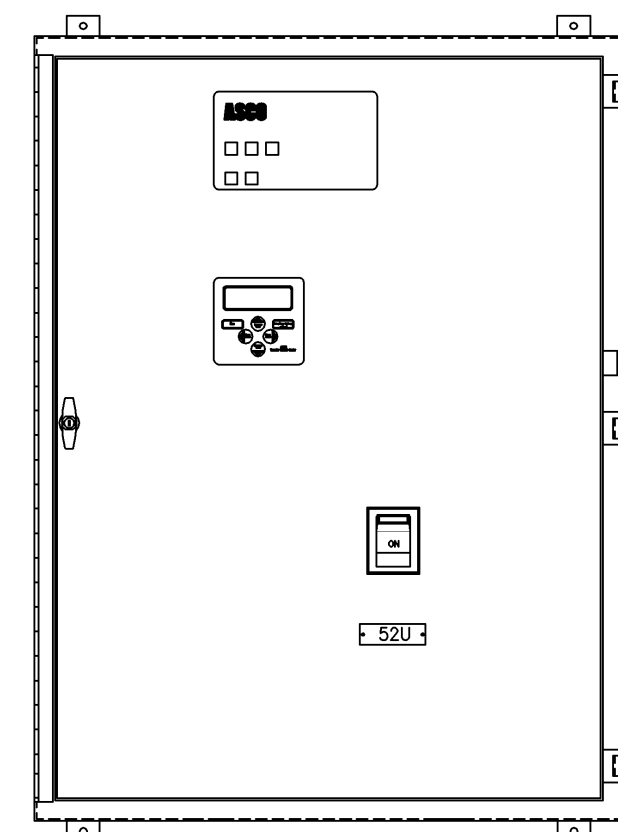
SQUARE "D" 80% RATED, TYPE 'LHL', 400AF/225AT, 400AF/250AT, 400AF/300AT, 400AF/350AT, 400AF/400AT, MOLDED CASE CIRCUIT BREAKER, THERMAL MAGNETIC, TRIP SETTINGS.



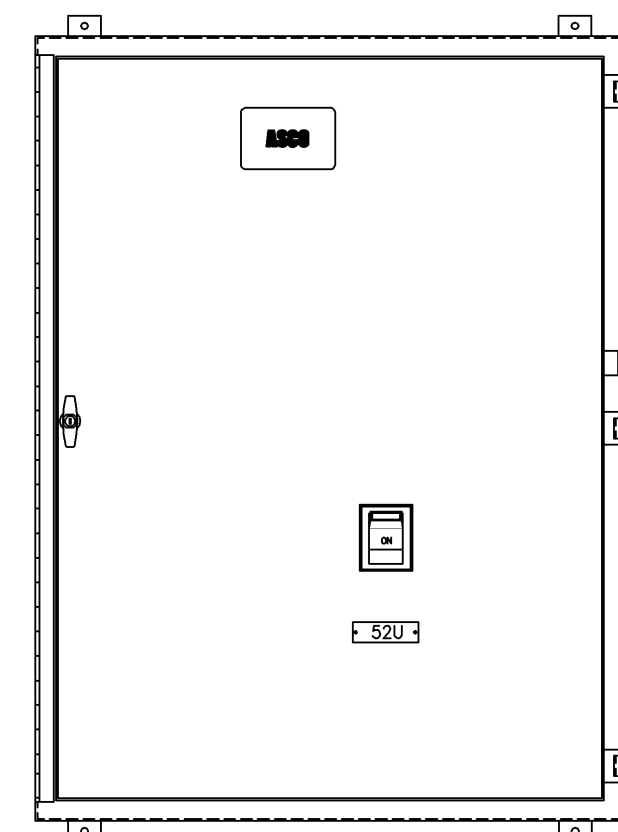
TOP VIEW



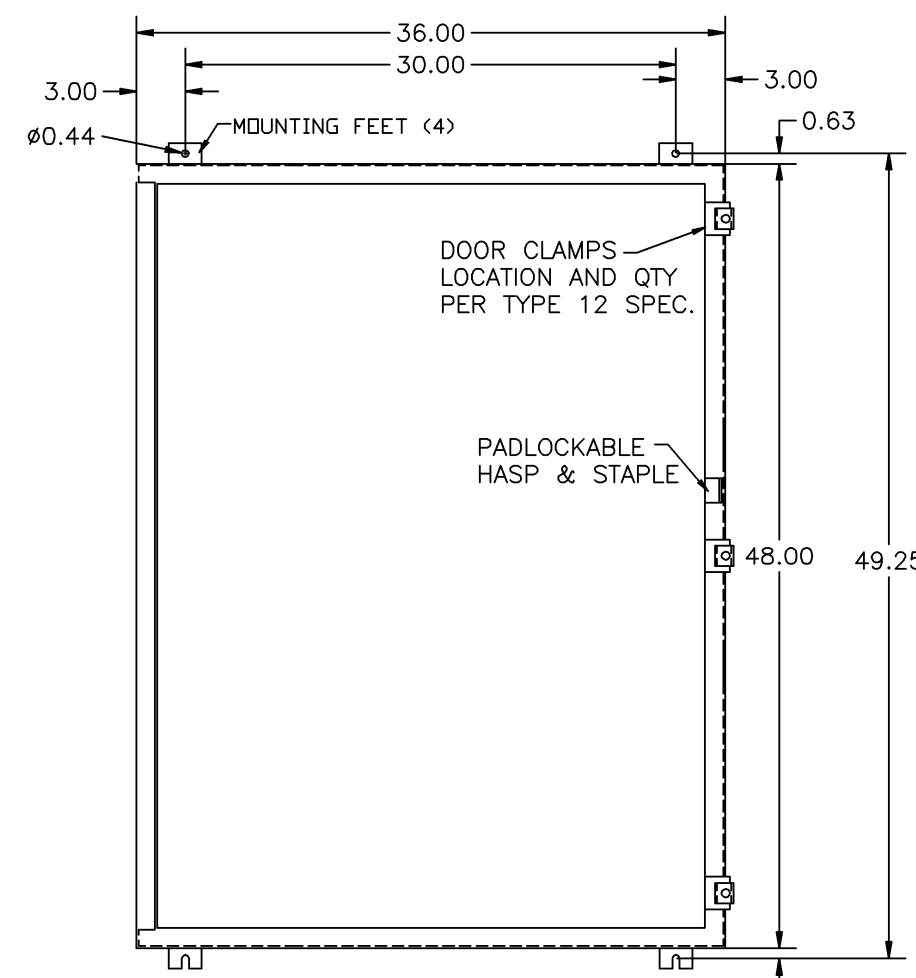
FRONT VIEW WITHOUT INNER DOOR



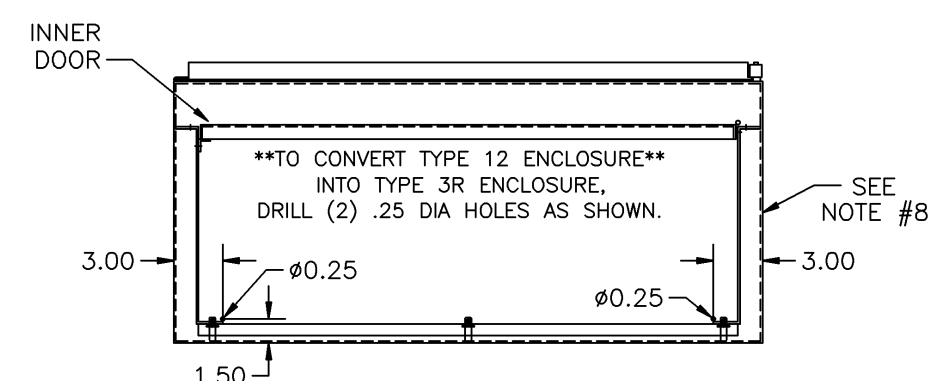
INNER DOOR FRONT VIEW 7000 SERIES/4000 SERIES



INNER DOOR FRONT VIEW 300 SERIES

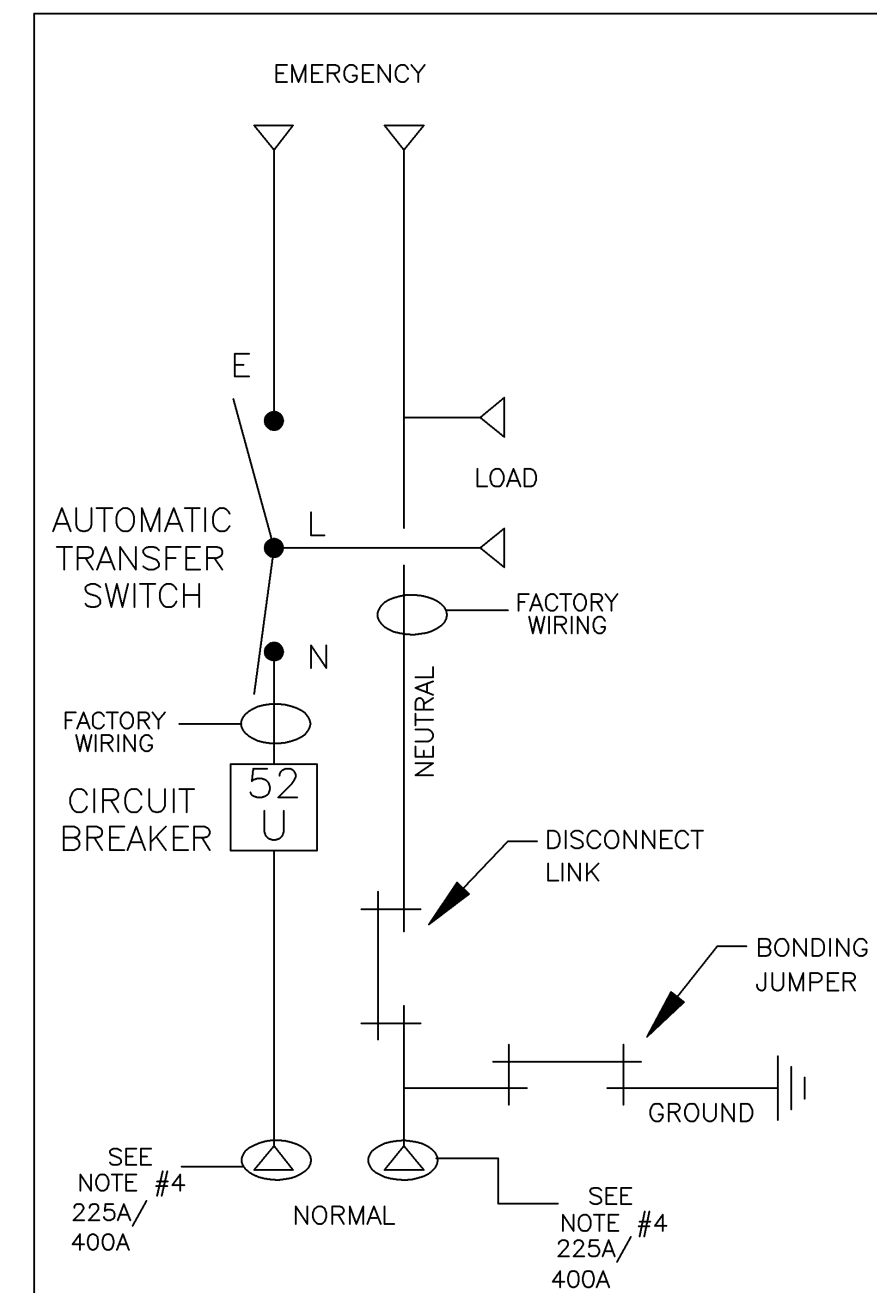


FRONT VIEW

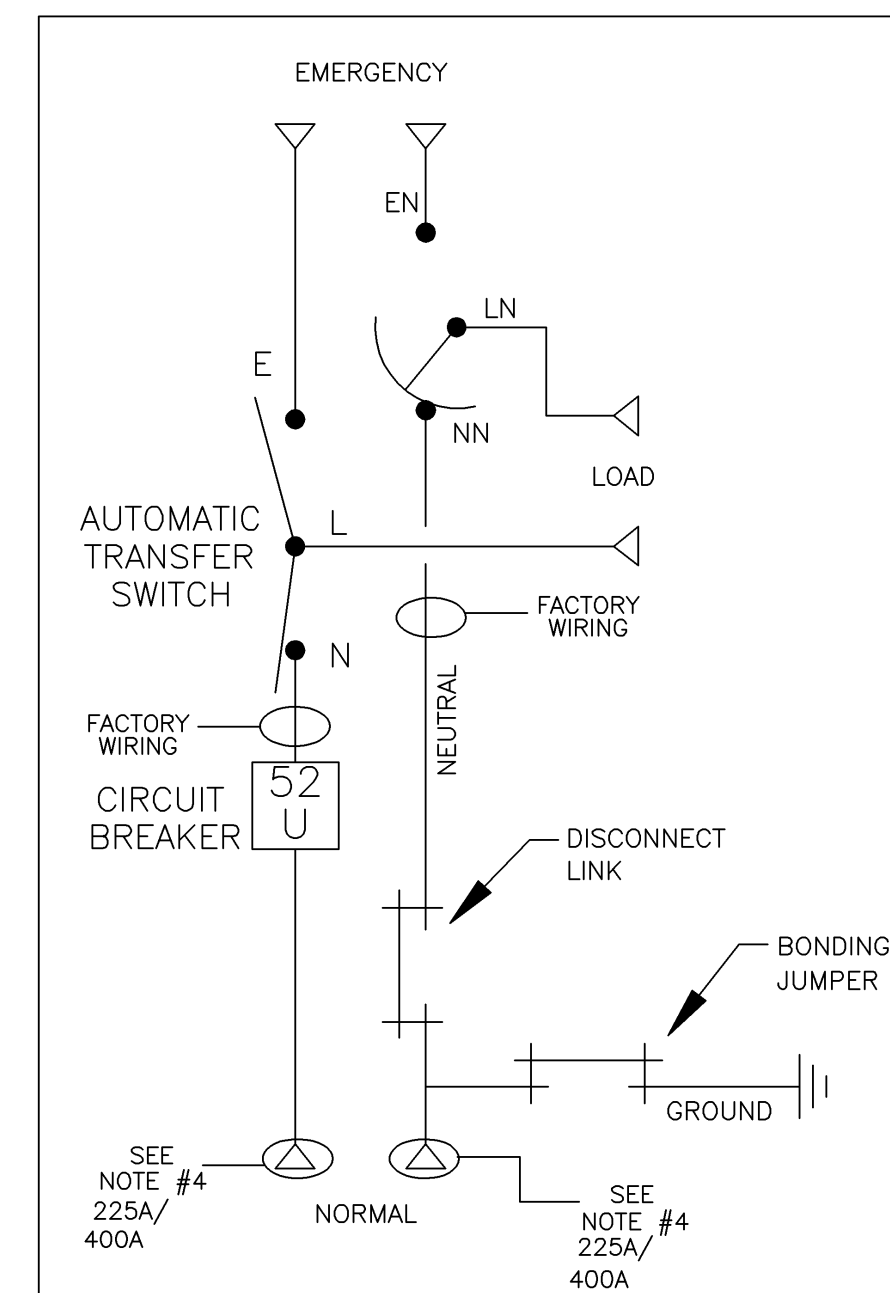


BOTTOM VIEW **TYPE 3R ONLY**

ONE LINE DIAGRAMS



(WITH SOLID NEUTRAL)



(WITH SWITCHED/OVERLAPPING NEUTRAL)

J	229749	MM	MLR	11/18/10
SEE ECN				
H	225159	DAJ	BK	11/16/09
SEE ECN				
G	221371	DP	RN	1/17/08
ADDED "80% RATED"				
F	218000	AE	WK	1/17/08
SEE ECN				
E	216641	AE	WK	1/10/08
SEE ECN				
D	209542	BWN	BWN	7/28/06
UPDATE VIEWS				
C	207225	PBP	BK	01/13/06
SEE ECN				
B	203411	CC	BK	02/05
SEE ECN				
A	202191	MM	BK	10/21/04
SEE ECN				
-	167203	MM	WK	06/02/04
ISSUED				

PROJECT NAME: SERVICE ENTRANCE 225-400A, TYPE 3R/12 ENCLOSURE		REV TO SHEET	ECN NO.	BY	APP.	DATE
OUTLINE		MOUNTING				
SERVICE ENTRANCE 225-400A						
E7AUS/E4AUS/E3AUS						
DRAWN BY	MM	DATE	06/02/04	MANUFACTURING TOLERANCES TO BE IN ACCORDANCE WITH ASCO PROCEDURE MP-003. FOR PLASTIC PARTS SEE MP-1-055	ASSEM. REF. NO.	COMPUTER GENERATED DRAWING
CHECKED	BK	DATE	06/02/04	PROPERTY OF ASCO POWER TECHNOLOGIES. USE PERMITTED FOR OUR WORK ONLY. ALL RIGHTS OF DESIGN OR INVENTION ARE RESERVED.		SCALE 1:1 SIZE DS
PROJECT APPROVAL	WK	DATE	06/02/04			DWG. NO. 754576-002
FINAL APPROVAL						754576-002
ASCO		ASCO POWER TECHNOLOGIES, L.P.		DRAWING REV. J ECN NO. 229749 SHEET 1 OF 1		
		FLORHAM PARK, NEW JERSEY 07832 U.S.A.				