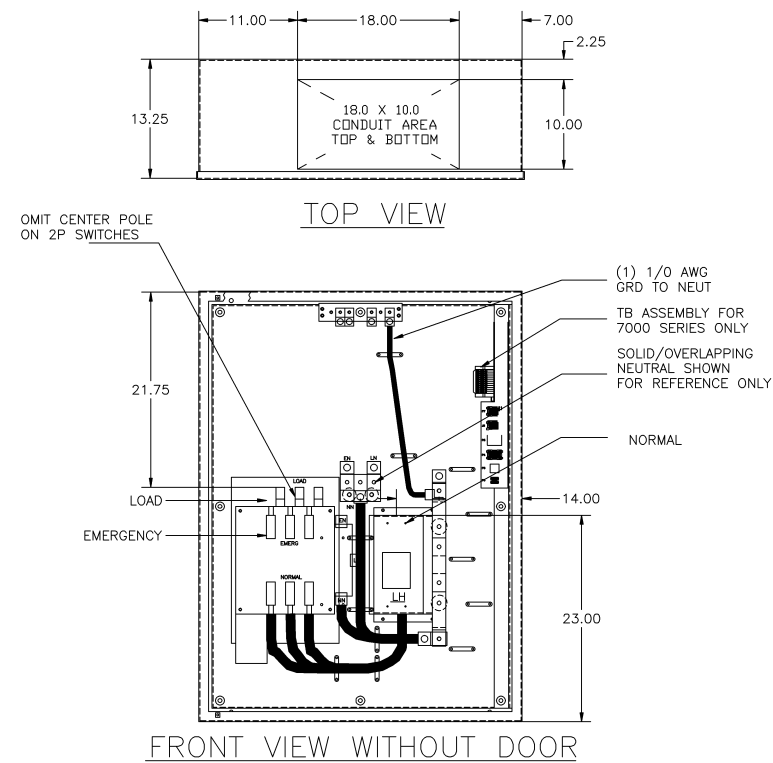
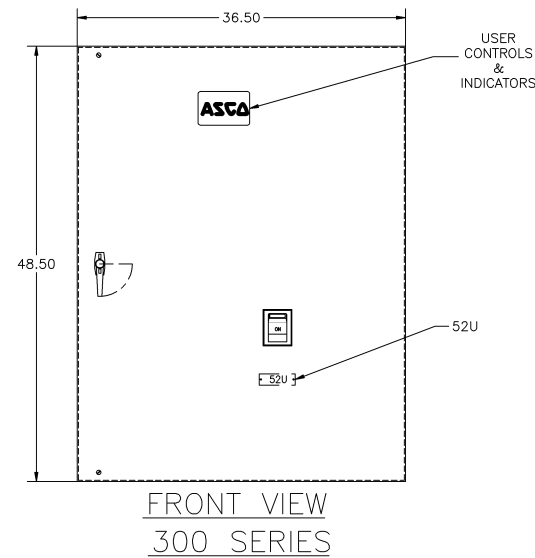
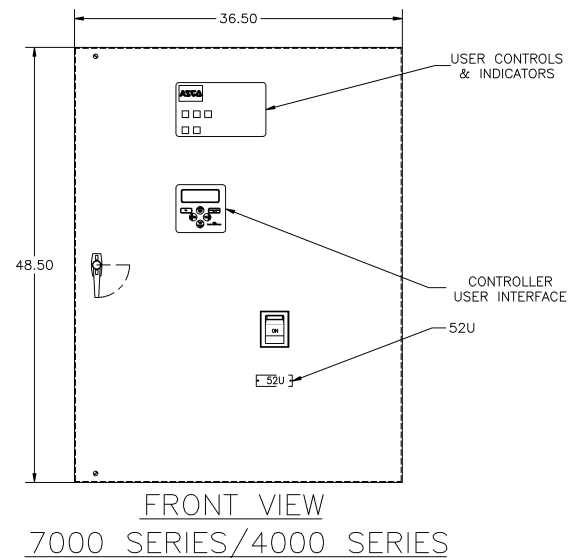


COMPOSITE OUTLINE FOR **ASCO** 7000 SERIES (E7AUS), 4000 SERIES (E4AUS) & 300 SERIES (E3AUS) 250-400 AMPERE WITH SERVICE ENTRANCE BREAKER

D
C
B
A



GENERAL NOTES

- TYPE 1 WALL MOUNTED ENCLOSURE.
- DOOR HAS KEY LOCKABLE HANDLE AND CAPTIVE SCREWS AS REQUIRED.
- FINISH: ANSI 61 GRAY POLYESTER SEMI GLOSS ELECTROSTATIC POWDER.
- RECOMMENDED CLEARANCES:
FRONT: 36 INCHES
- ALL BUS IS SILVER-PLATED COPPER, BASED ON 1000A PER SQ. IN. DENSITY.
- A FULL RATED NEUTRAL CONNECTION FOR EACH SOURCE AND THE LOAD IS OPTIONAL. WHEN PROVIDED IT IS IN ONE OF THE FOLLOWING FORMATS AS SPECIFIED BY THE CATALOG NO. NEUTRAL TYPE:
A. SOLID (COPPER BUS) NEUTRAL (PROVIDED STANDARD ON E3AUS)
C. OVERLAPPING NEUTRAL POLE
- DESIGNED FOR FRONT ACCESS ONLY.
- FOR SPECIFIED TRANSFER SWITCH, REFER TO OPERATOR'S MANUAL PROVIDED WITH UNIT.

SPECIFICATIONS

- SERVICE VOLTAGE:
SYSTEM RATING: 250 AMPS, 300 AMPS, 350 AMPS, 400 AMPS, 3Ø, 4W OR 1Ø, 3W.
GROUND BUS- 150 AMPS
SHORT CIRCUIT RATING- 35,000 RMS SYM AMPERES @ 480V.
THE EMERGENCY SOURCE INPUT MUST BE PROTECTED BY A REMOTE OVERCURRENT PROTECTION DEVICE AS LISTED ON THE MARKINGS ON THE TRANSFER SWITCH.
- BATTERY VOLTAGE: N/A
- NEUTRAL BUS: A FULL RATED NEUTRAL IS PROVIDED.
- APPLICABLE LABELS: U.L. 1008- SUITABLE ONLY FOR USE AS SERVICE EQUIPMENT.

NOTES 250 AMPS

- SUPPLIED WITH STANDARD MECHANICAL (SCREW TYPE) LUGS ON THE EMERGENCY & LOAD BUS STABS. ONE (1) LUG PER PHASE AND NEUTRAL EACH SUITABLE FOR CONNECTION OF (1) #4 AWG TO 600MCM OR (2) 1/0 AWG TO 250MCM CU/AL CABLE (SEE NOTE "A" BELOW).
A. SUITABLE WIRE BENDING SPACE IS PROVIDED FOR UP TO TWO (2) 1/0 AWG CABLE PER TERMINAL PER NEC.
- FACTORY WIRING: (1) 300MCM PER PHASE AND NEUTRAL
- GROUND LUGS ARE PROVIDED STANDARD AS FOLLOWS:
(3) #6 AWG- 250 MCM CU/AL CABLE
- NORMAL CABLE CONNECTIONS SUITABLE FOR (1) #1 AWG TO 600 MCM OR (2) #1 AWG TO 250 MCM PER Ø AND NEUTRAL.

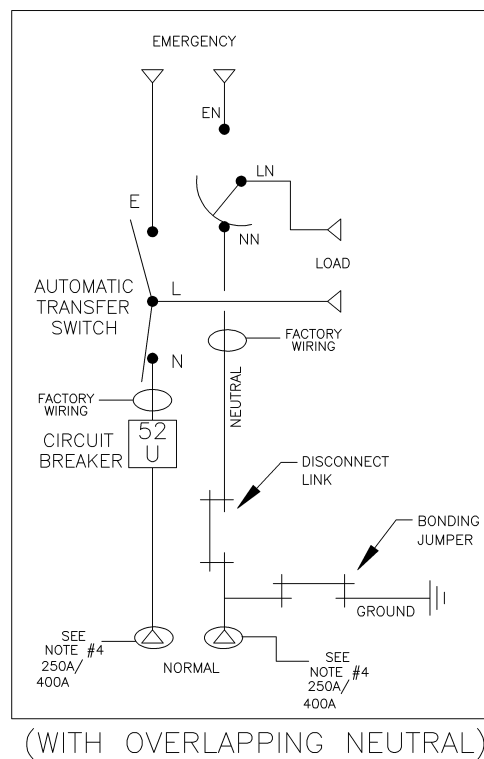
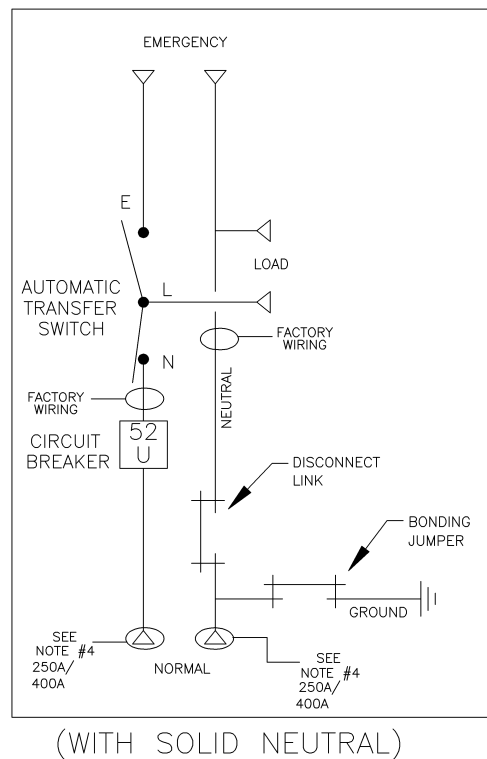
NOTES 300-400 AMPS

- SUPPLIED WITH STANDARD MECHANICAL (SCREW TYPE) LUGS ON THE EMERGENCY & LOAD BUS STABS. ONE (1) LUG PER PHASE AND NEUTRAL EACH SUITABLE FOR CONNECTION OF (1) #4 AWG TO 600MCM OR (2) 1/0 AWG TO 250MCM CU/AL CABLE (SEE NOTE "A" BELOW).
A. SUITABLE WIRE BENDING SPACE IS PROVIDED FOR UP TO TWO (2) 1/0 AWG CABLE PER TERMINAL
- FACTORY WIRING: (2) 3/0 PER PHASE AND NEUTRAL
- GROUND LUGS ARE PROVIDED STANDARD AS FOLLOWS:
(3) #6 AWG- 250 MCM CU/AL CABLE
- NORMAL CABLE CONNECTIONS SUITABLE FOR (1) #1 AWG TO 600 MCM OR (2) #1 AWG TO 250 MCM PER Ø AND NEUTRAL.

CIRCUIT BREAKER: ITEM 52U

SQUARE "D" 80% RATED, TYPE 'LHL', 400AF/250AT, 400AF/300AT, 400AF/350AT, 400AF/400AT, MOLDED CASE CIRCUIT BREAKER, THERMAL MAGNETIC, TRIP SETTINGS.

ONE LINE DIAGRAMS



H	221371	DP	RN	1/13/09
G	218000	AE	WK	1/17/08
F	216641	AE	WK	1/10/08
E	209449	KH	WK	8/17/06
D	207206	PBP	BK	01/12/06
C	203411	CC	BK	02/05
B	202191	MM	BK	10/21/04
A	167216	MM	WK	06/03/04
-	167025	MM	WK	05/17/04
ISSUED				
PROJECT NAME: SERVICE ENTRANCE 250-400A, TYPE 1 ENCLOSURE				
CHANGE LETTER				
SUBSIDIARY DISTRIBUTION				
AE	IN	AW	AW	AL
CH	AV	AK	PS	AR
AG	AP	AC	AS	AS
COMPUTER GENERATED DRAWING				
SCALE: 1:1 ACAD FILE				
SHEET NO. DS1754576				
CHANGE LETTER H ECN NO. 221371 SHEET 1 OF 1				

D
C
B
A