


OUTLINE FOR ASCO® 300 SERIES TRANSFER SWITCHES (D3ATS/D3NTS) 30-230 AMPERES, TYPE 3R/4/4X/12 ENCLOSURE

GENERAL NOTES

1. TYPE 3R/4/4X/12 WALL MOUNTED ENCLOSURE.
2. STANDARD FINISH – LIGHT GRAY, ANSI 61.
3. SINGLE DOOR, RIGHT SIDE HINGE, SIDE PADLOCK HASP AND PLATED DOOR CLAMPS ON LEFT SIDE.
4. TERMINALS – SCREW TYPE LUGS FOR EXTERNAL POWER CONNECTIONS.
5.  = CENTER OF GRAVITY.
6. THREE POLE SWITCH WITH SOLID NEUTRAL SHOWN FOR REFERENCE.
7. NEUTRAL CONFIGURATIONS:

AN OPTIONAL FULL RATED NEUTRAL CONFIGURATION FOR EACH SOURCE AND THE LOAD MAY BE PROVIDED. WHEN EQUIPPED IT IS IN ONE OF THE FOLLOWING FORMATS AS SPECIFIED BY THE CATALOG NUMBER NO. NEUTRAL TYPE:

- (A) SOLID (COPPER BUS) NEUTRAL
- (B) SWITCHED NEUTRAL POLE

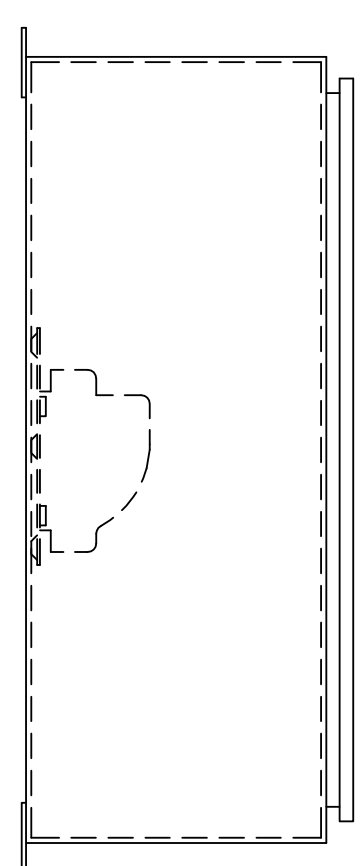
SWITCH RATING (AMPS)	RANGE OF WIRE
30-150	(1) #14 TO 4/0 AWG AL-CU WIRE
200-230	(1) #14 TO 4/0 AWG COPPER WIRE

APPROXIMATE SHIPPING WEIGHT, LBS (KG)

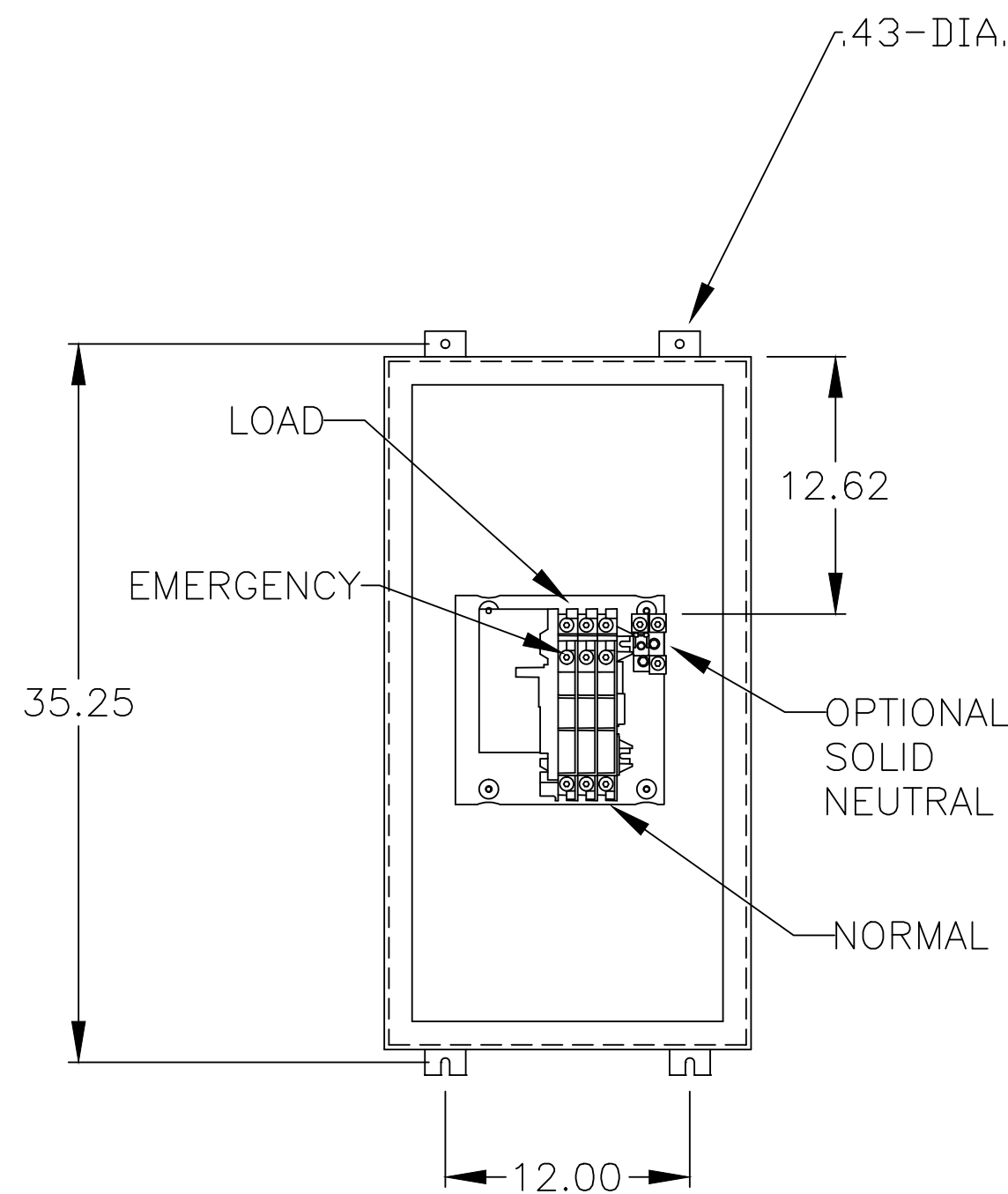
AMP SIZE	POLES	WEIGHT
30-230	A2 & B2	87 (39)
	A3 & B3	90 (40)

D
C
B
A

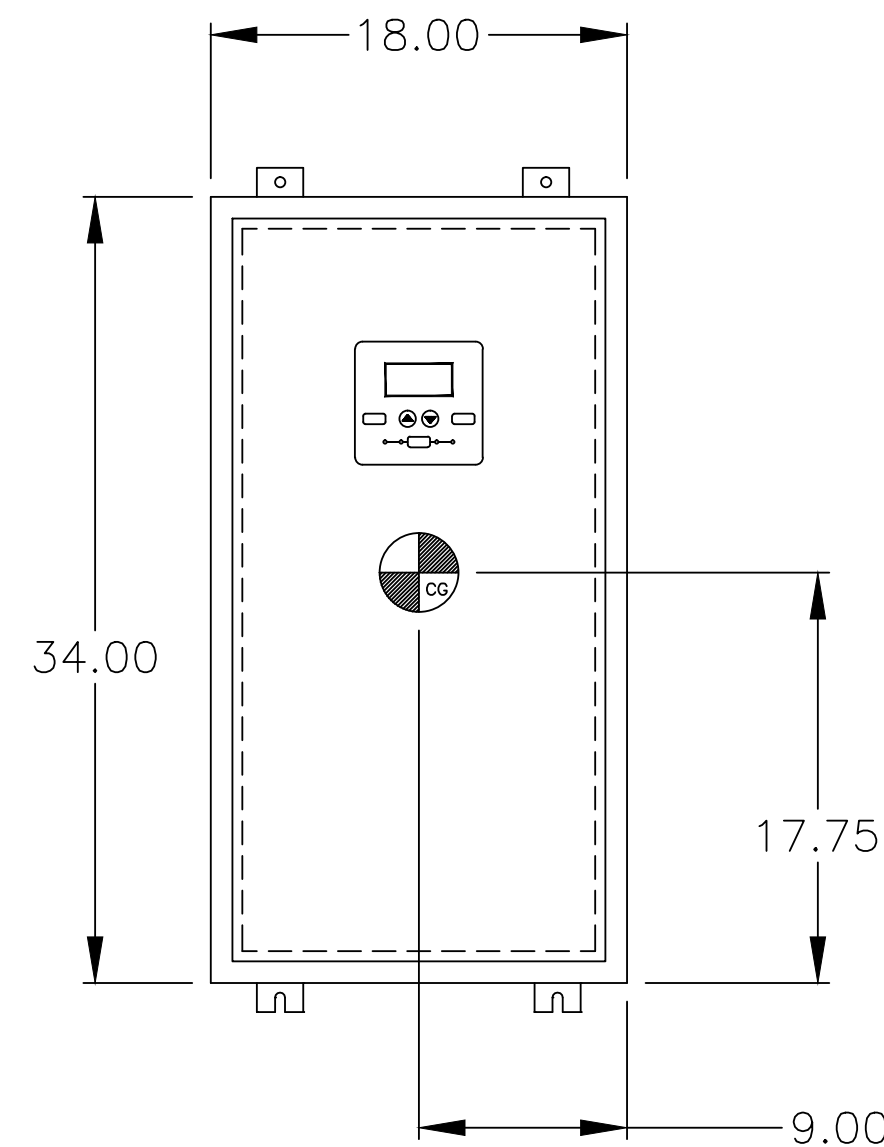
D
C
B
A



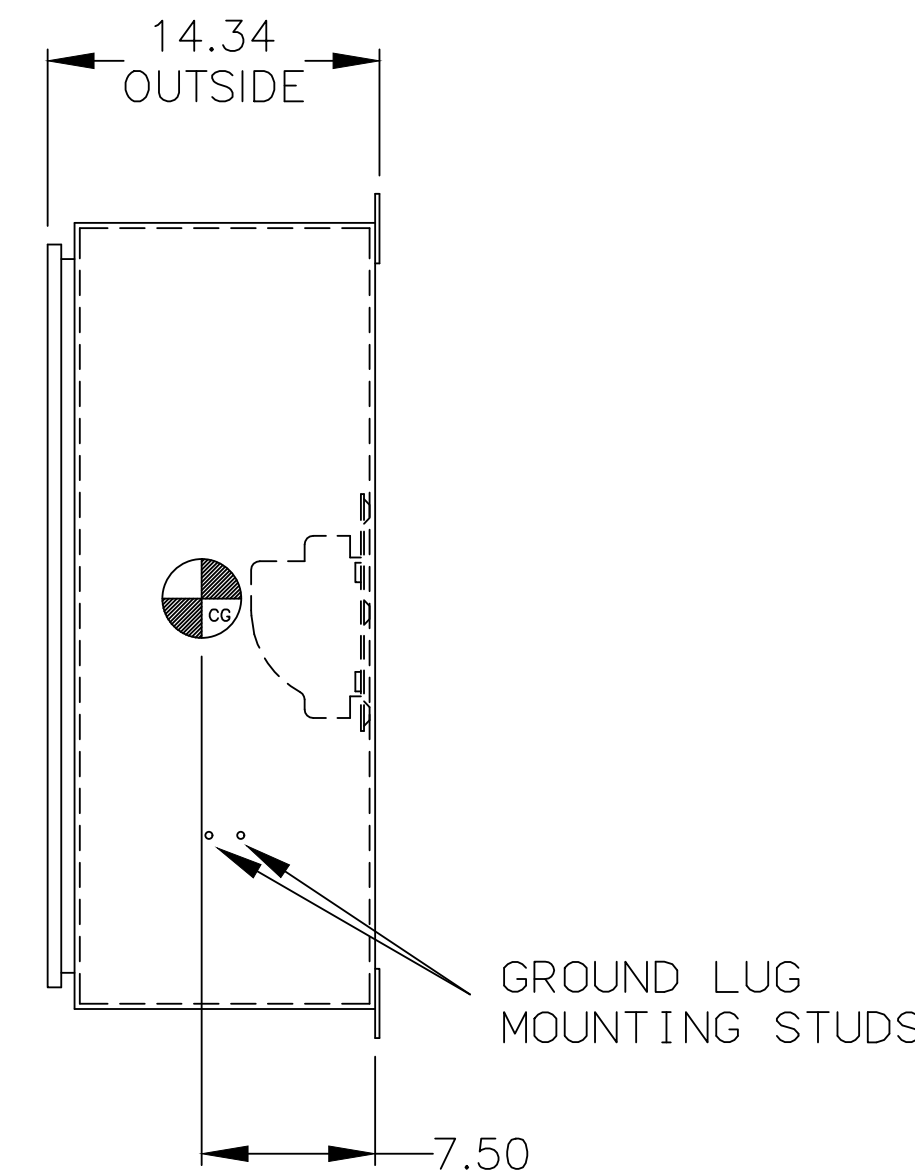
LEFT SIDE



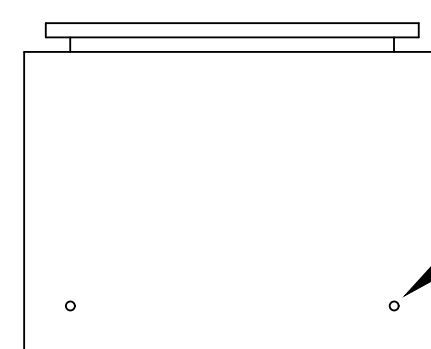
FRONT VIEW WITHOUT DOOR



FRONT VIEW WITH DOOR





RIGHT SIDE



BOTTOM VIEW

REMOVING KNOCKOUTS CONVERTS THE TYPE 12 ENCLOSURE TO TYPE 3R

PROJECT NAME:		245266	BWM	SDH	11/6/13
REV. TO SHEET	ECN. NO.	BY	APP.	DATE	
COMPOSITE OUTLINE					 THIRD ANGLE PROJECTION
300 SERIES, D3ATS/D3NTS RATED 30-230 AMPERES					
TYPE 3R/4/4X/12 ENCLOSURE					COMPUTER GENERATED DRAWING
DRAWN BY	BY	DATE	MANUFACTURING TOLERANCES TO BE IN ACCORDANCE WITH ASCO PROCEDURE MP-1-003. FOR PLASTIC PARTS SEE MP-1-055.		SCALE NONE SIZE DS
CHECKED	SDH	11/6/13	PROPERTY OF ASCO POWER TECHNOLOGIES. USE PERMITTED FOR OUR WORK ONLY. ALL RIGHTS OF DESIGN OR INVENTION ARE RESERVED.		DWG. NO. 978723-002
FINAL APPROVAL			 ASCO POWER TECHNOLOGIES, L.P. FLORHAM PARK, NEW JERSEY 07932 U.S.A.		DRAWING REV. ECN. NO. 245266 SHEET 1 OF 1