


OUTLINE FOR ASCO® 300 SERIES TRANSFER SWITCHES (D3ATS/D3NTS) 30-230 AMPERES, TYPE 1 ENCLOSURE

GENERAL NOTES

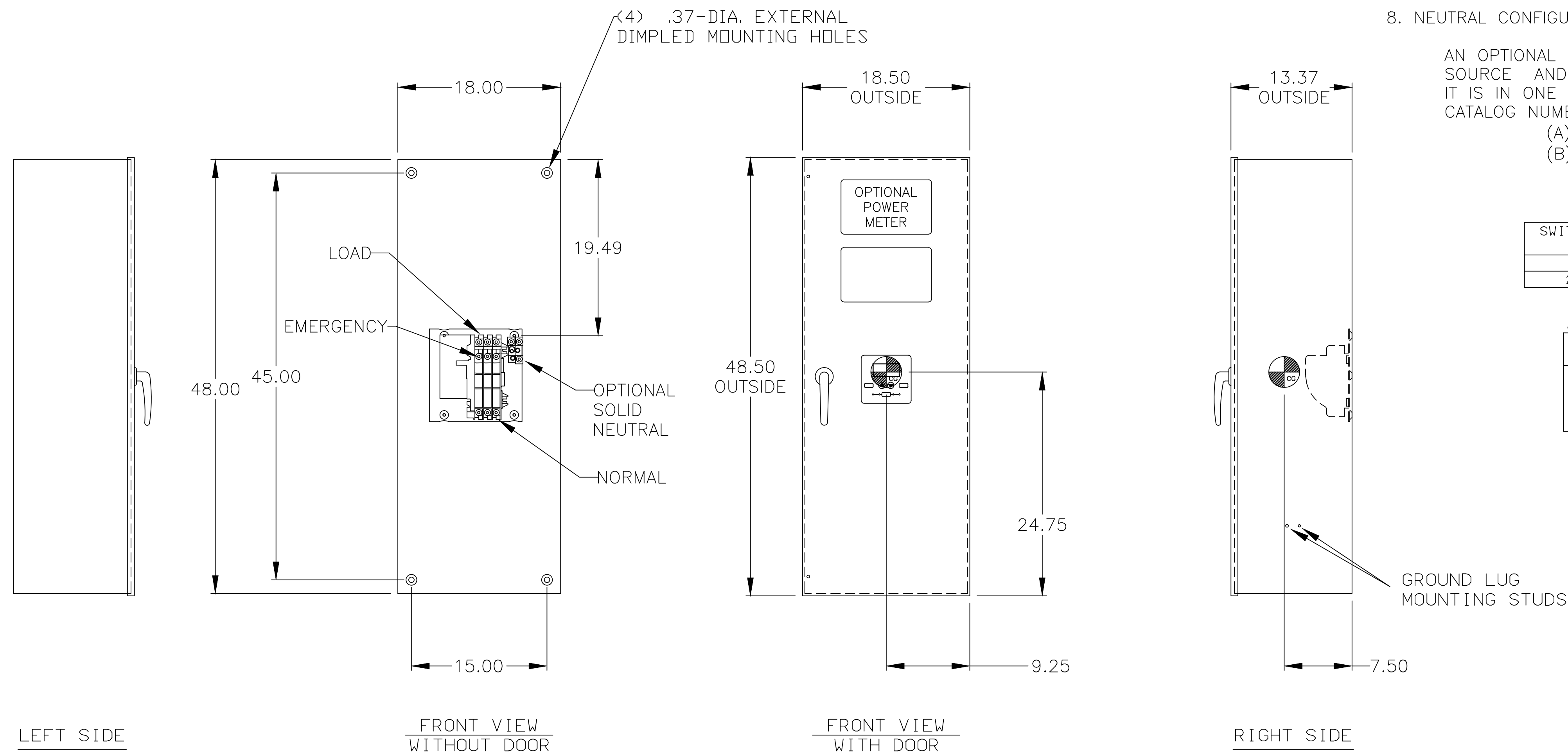
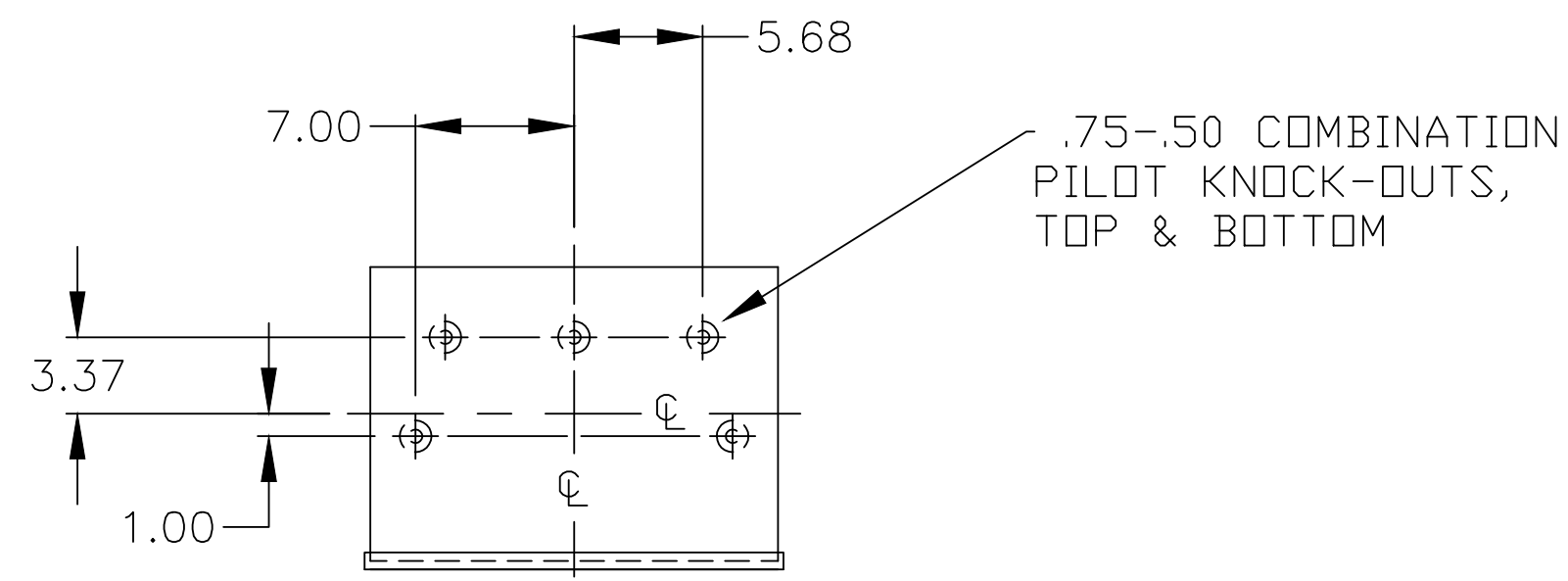
1. TYPE 1 WALL MOUNTED ENCLOSURE.
2. STANDARD FINISH – LIGHT GRAY, ANSI 61. OTHER FINISHES AVAILABLE CONSULT FACTORY.
3. KEY LOCKABLE HANDLE.
4. REMOVABLE SINGLE DOOR
5. TERMINALS – SCREW TYPE LUGS FOR EXTERNAL POWER CONNECTIONS.
6.  = CENTER OF GRAVITY.
7. THREE POLE SWITCH WITH SOLID NEUTRAL SHOWN FOR REFERENCE.
8. NEUTRAL CONFIGURATIONS:

AN OPTIONAL FULL RATED NEUTRAL CONFIGURATION FOR EACH SOURCE AND THE LOAD MAY BE PROVIDED. WHEN EQUIPPED IT IS IN ONE OF THE FOLLOWING FORMATS AS SPECIFIED BY THE CATALOG NUMBER NO. NEUTRAL TYPE:

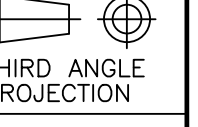
- (A) SOLID (COPPER BUS) NEUTRAL
- (B) SWITCHED NEUTRAL POLE

SWITCH RATING (AMPS)	RANGE OF WIRE
30-150	(1) #14 TO 4/0 AWG AL-CU WIRE
200-230	(1) #14 TO 4/0 AWG COPPER WIRE

APPROXIMATE SHIPPING WEIGHT, LBS (KG)		
AMP SIZE	POLES	WEIGHT
30-230	A2 & B2	72 (33)
	A3 & B3	75 (34)



A	245091	BWM/SDH	10/28/13
	SEE ECN		
-	245035	BWM/SDH	10/25/13
	ISSUE		

PROJECT NAME:				REV. TO SHEET	ECN. NO.	BY	APP.	DATE
COMPOSITE OUTLINE				 THIRD ANGLE PROJECTION				
300 SERIES, D3ATS/D3NTS RATED 30-230 AMPERES								
TYPE 1 ENCLOSURE				COMPUTER GENERATED DRAWING				
DRAWN BY	BY	DATE	MANUFACTURING TOLERANCES TO BE IN ACCORDANCE WITH ASCO PROCEDURE MP-1-003. FOR PLASTIC PARTS SEE MP-1-055.	ASSEM. REF. NO.				
CHECKED			PROPERTY OF ASCO POWER TECHNOLOGIES. USE PERMITTED FOR OUR WORK ONLY. ALL RIGHTS OF DESIGN OR INVENTION ARE RESERVED.					
PROJECT APPROVAL	SDH	10/25/13	SCALE NONE SIZE DS					
FINAL APPROVAL			DWG. NO. 978723-001					
			DRAWING A. ECN. NO. 245091 SHEET 1 OF 1					

ASCO ASCO POWER TECHNOLOGIES, L.P.
FLORHAM PARK, NEW JERSEY 07932 U.S.A.