

OUTLINE FOR ASCO® 300 SERIES TRANSFER SWITCHES (D3ATS/D3NTS) 30-230 AMPERES, TYPE 1 ENCLOSURE

GENERAL NOTES

1. TYPE 1 WALL MOUNTED ENCLOSURE.
2. STANDARD FINISH – LIGHT GRAY, ANSI 61. OTHER FINISHES AVAILABLE CONSULT FACTORY.
3. KEY LOCKABLE HANDLE.
4. REMOVABLE SINGLE DOOR
5. TERMINALS – SCREW TYPE LUGS FOR EXTERNAL POWER CONNECTIONS.
6. = CENTER OF GRAVITY.
7. THREE POLE SWITCH WITH SOLID NEUTRAL SHOWN FOR REFERENCE.
8. NEUTRAL CONFIGURATIONS:

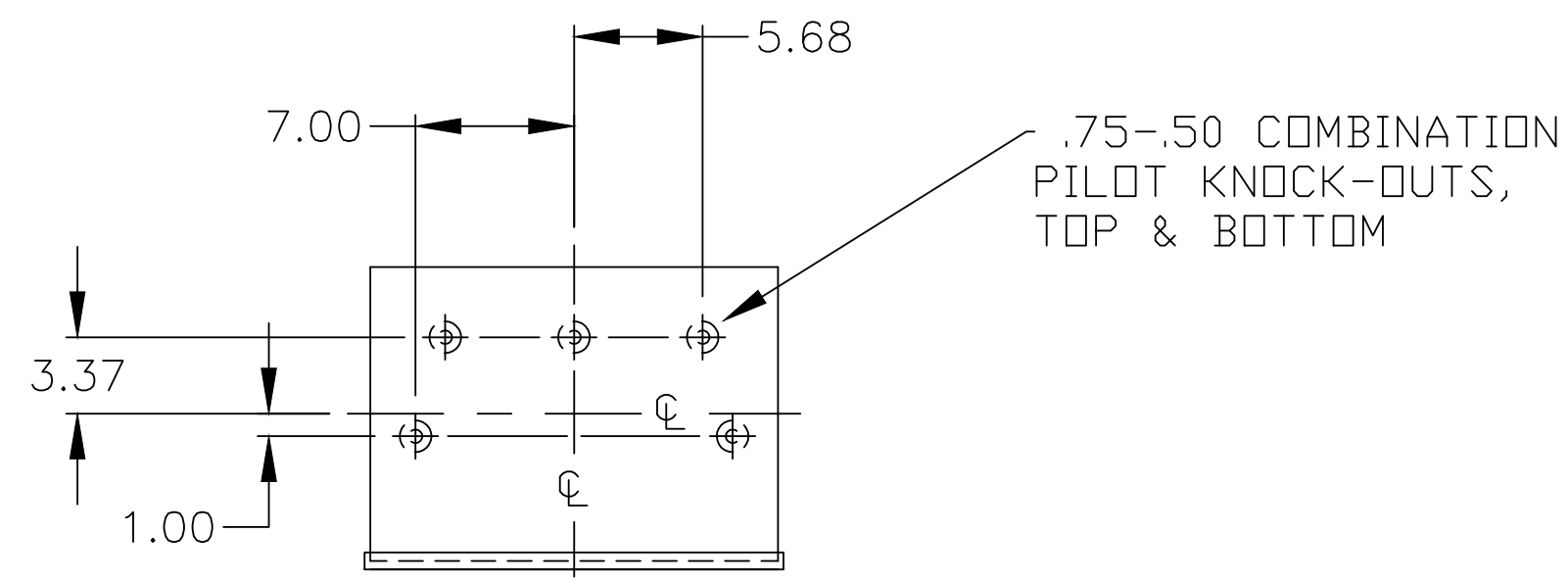
AN OPTIONAL FULL RATED NEUTRAL CONFIGURATION FOR EACH SOURCE AND THE LOAD MAY BE PROVIDED. WHEN EQUIPPED IT IS IN ONE OF THE FOLLOWING FORMATS AS SPECIFIED BY THE CATALOG NUMBER NO. NEUTRAL TYPE:

- (A) SOLID (COPPER BUS) NEUTRAL
- (B) SWITCHED NEUTRAL POLE

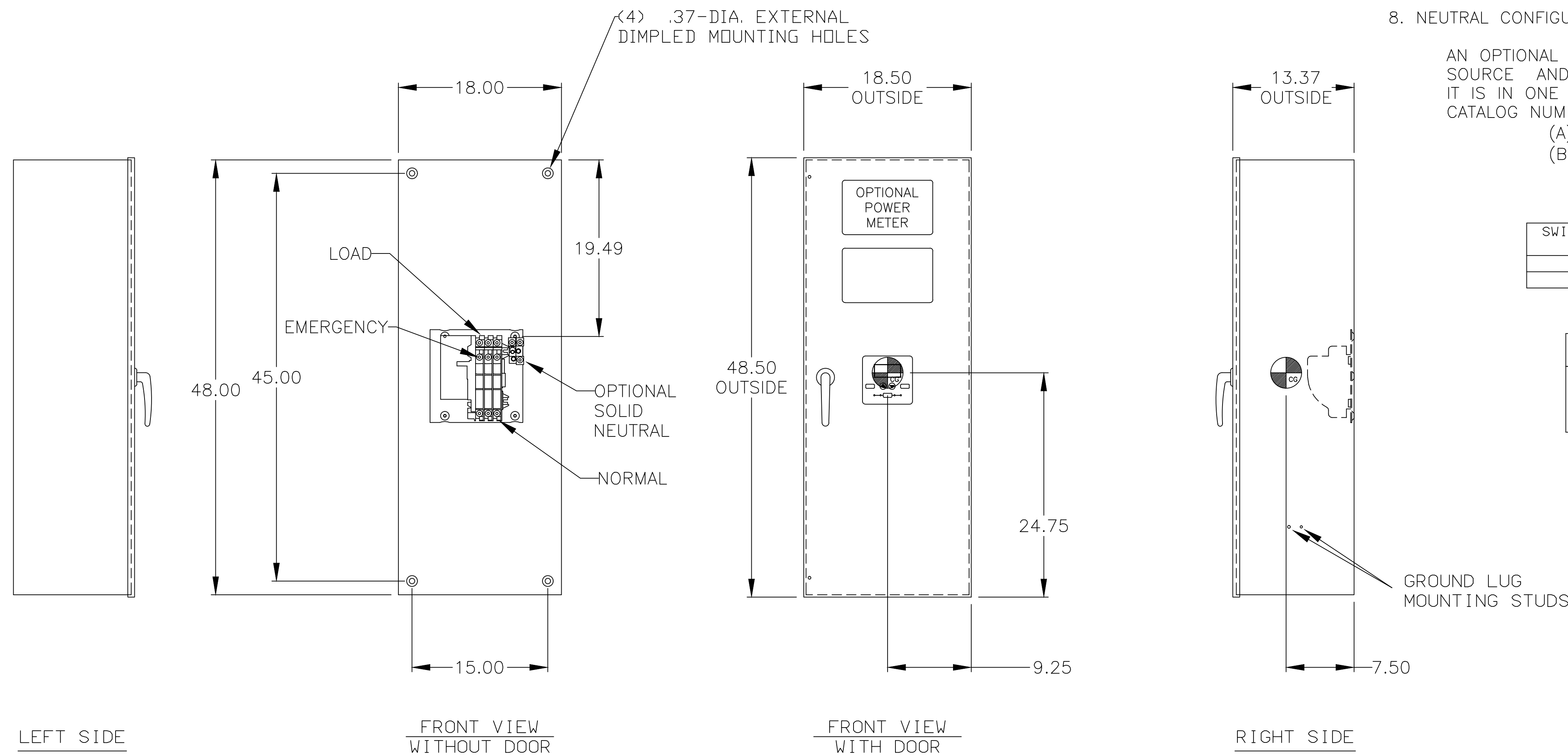
SWITCH RATING (AMPS)	RANGE OF WIRE
30-150	(1) #14 TO 4/0 AWG AL-CU WIRE
200-230	(1) #14 TO 4/0 AWG COPPER WIRE

APPROXIMATE SHIPPING WEIGHT, LBS (KG)

AMP SIZE	POLES	WEIGHT
30-230	A2 & B2	72 (33)
	A3 & B3	75 (34)



.75-.50 COMBINATION PILOT KNOCK-OUTS, TOP & BOTTOM



A	245091	BWM SDH	10/28/13
	SEE ECN		
-	245035	BWM SDH	10/25/13
	ISSUE		

PROJECT NAME:		REV. TO SHEET	ECN. NO.	BY	APP.	DATE
COMPOSITE OUTLINE						
300 SERIES, D3ATS/D3NTS RATED 30-230 AMPERES						
TYPE 1 ENCLOSURE						
DRAWN BY	BY	DATE	MANUFACTURING TOLERANCES TO BE IN ACCORDANCE WITH ASCO PROCEDURE MP-1-003. FOR PLASTIC PARTS SEE MP-1-055.	ASSEM. REF. NO.	COMPUTER GENERATED DRAWING	
CHECKED	BWM	10/25/13	PROPERTY OF ASCO POWER TECHNOLOGIES. USE PERMITTED FOR OUR WORK ONLY. ALL RIGHTS OF DESIGN OR INVENTION ARE RESERVED.		SCALE	NONE
PROJECT APPROVAL	SDH	10/25/13			SIZE	DS
FINAL APPROVAL					DWG. NO.	978723-001
					DRAWING A	ECN NO. 245091
					REV.	SHEET 1 OF 1

ASCO ASCO POWER TECHNOLOGIES, L.P.
FLORHAM PARK, NEW JERSEY 07932 U.S.A.