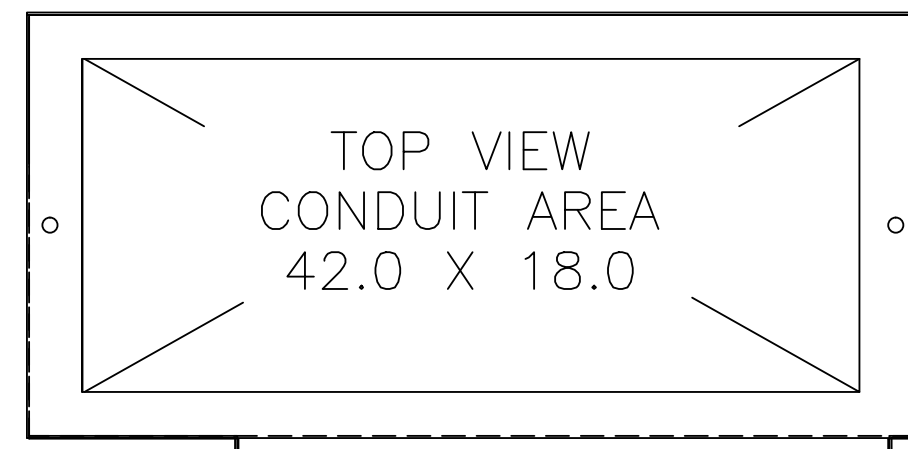
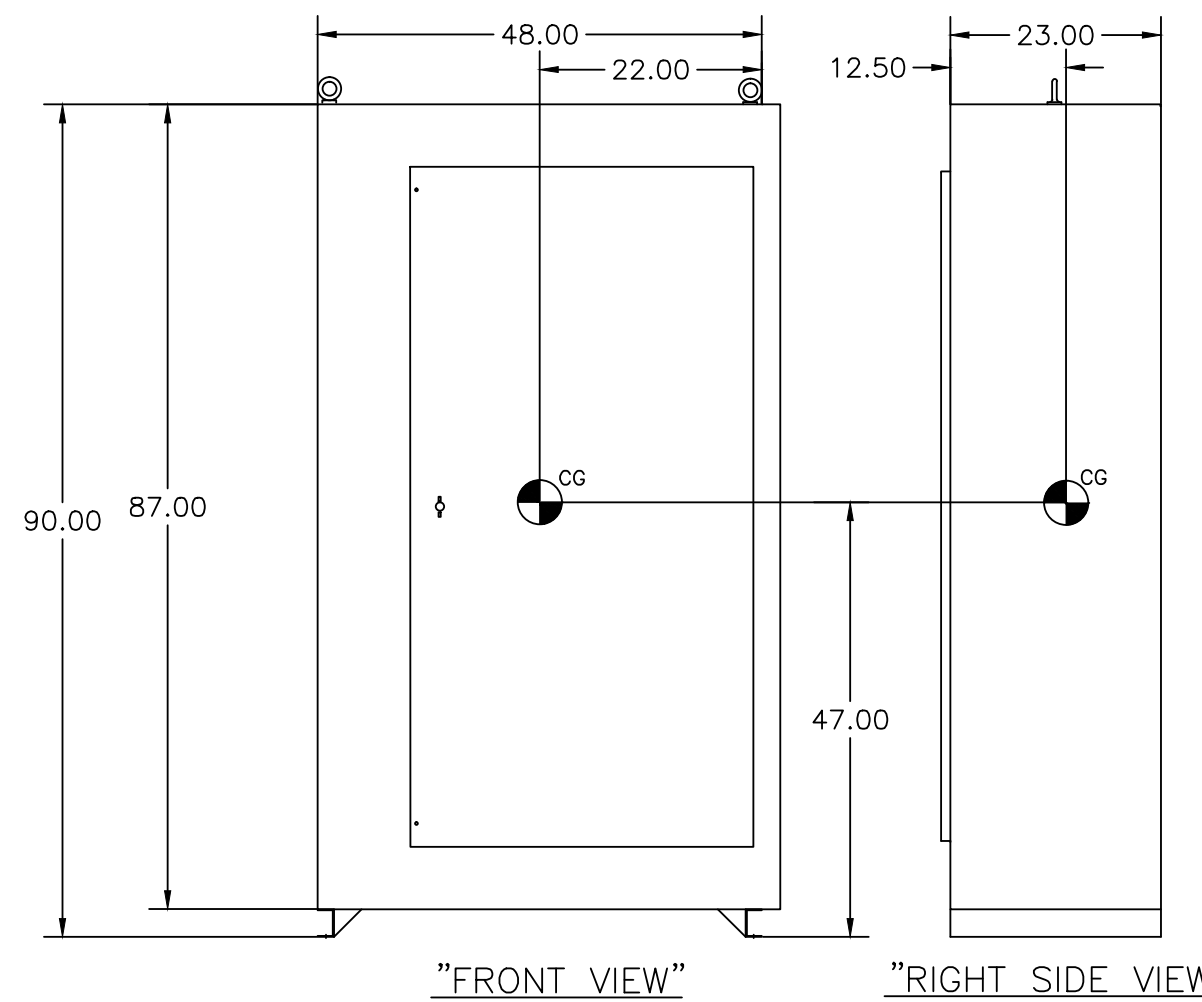
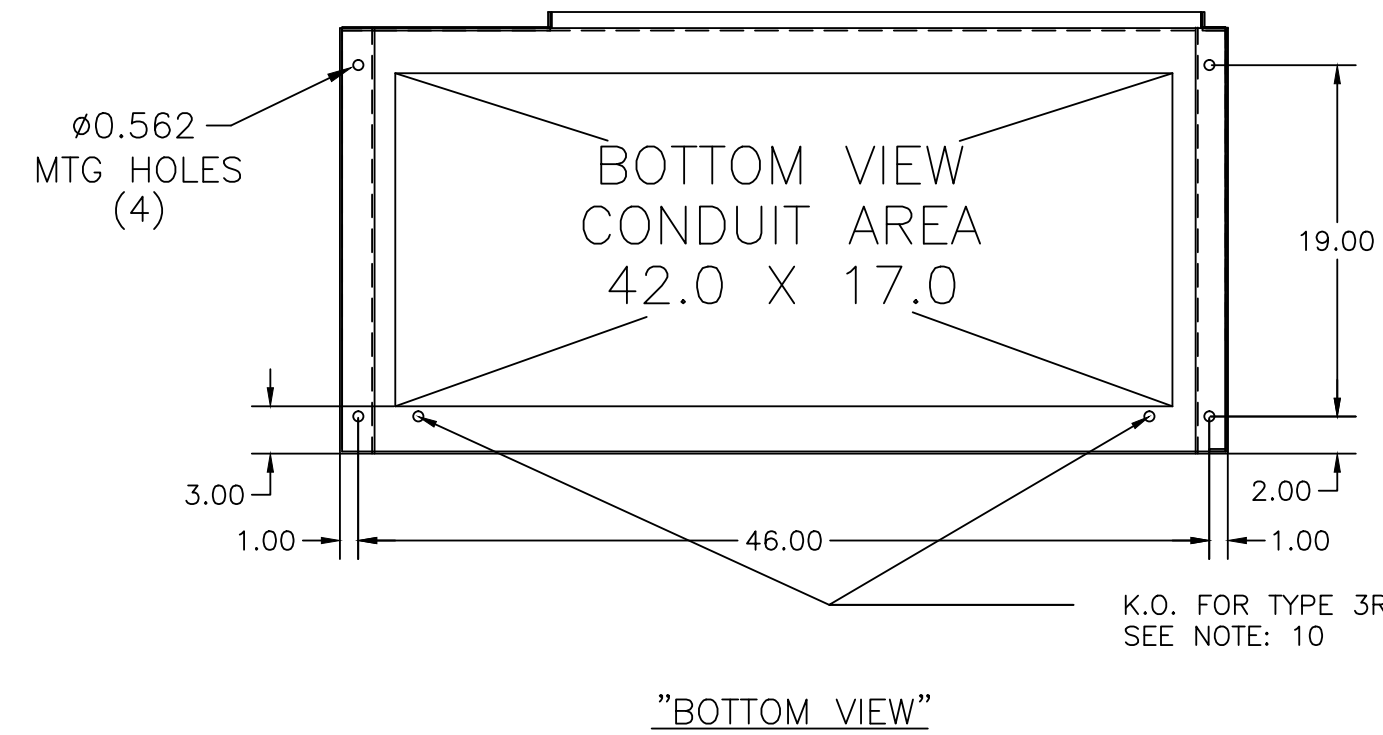
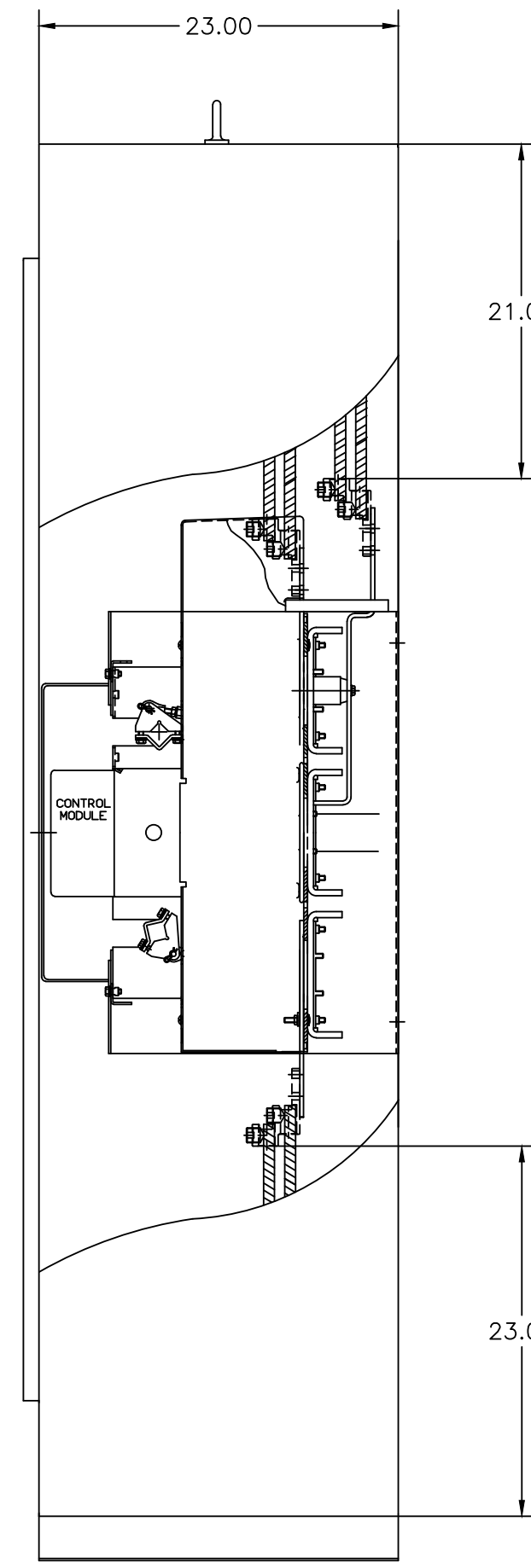
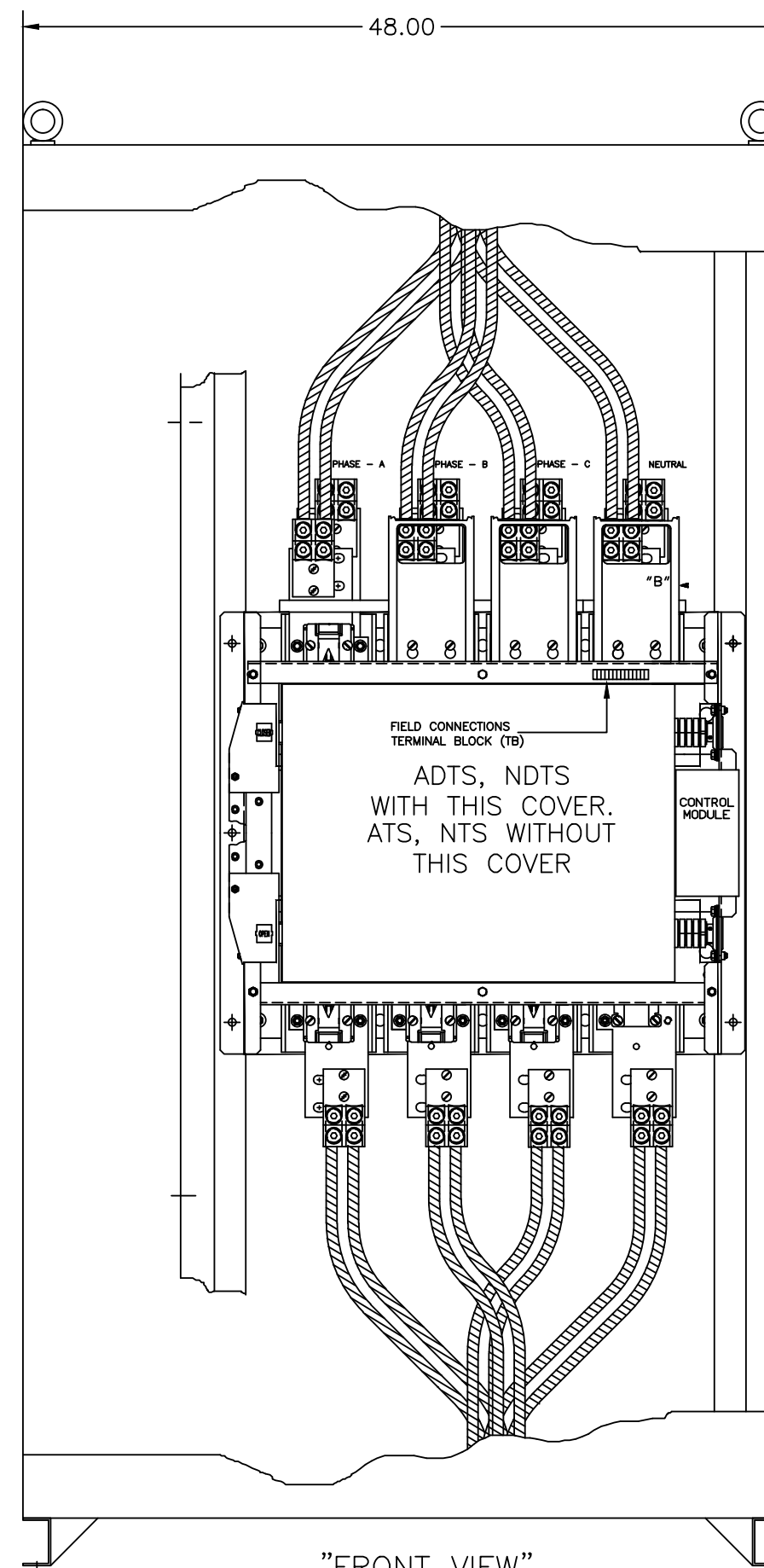
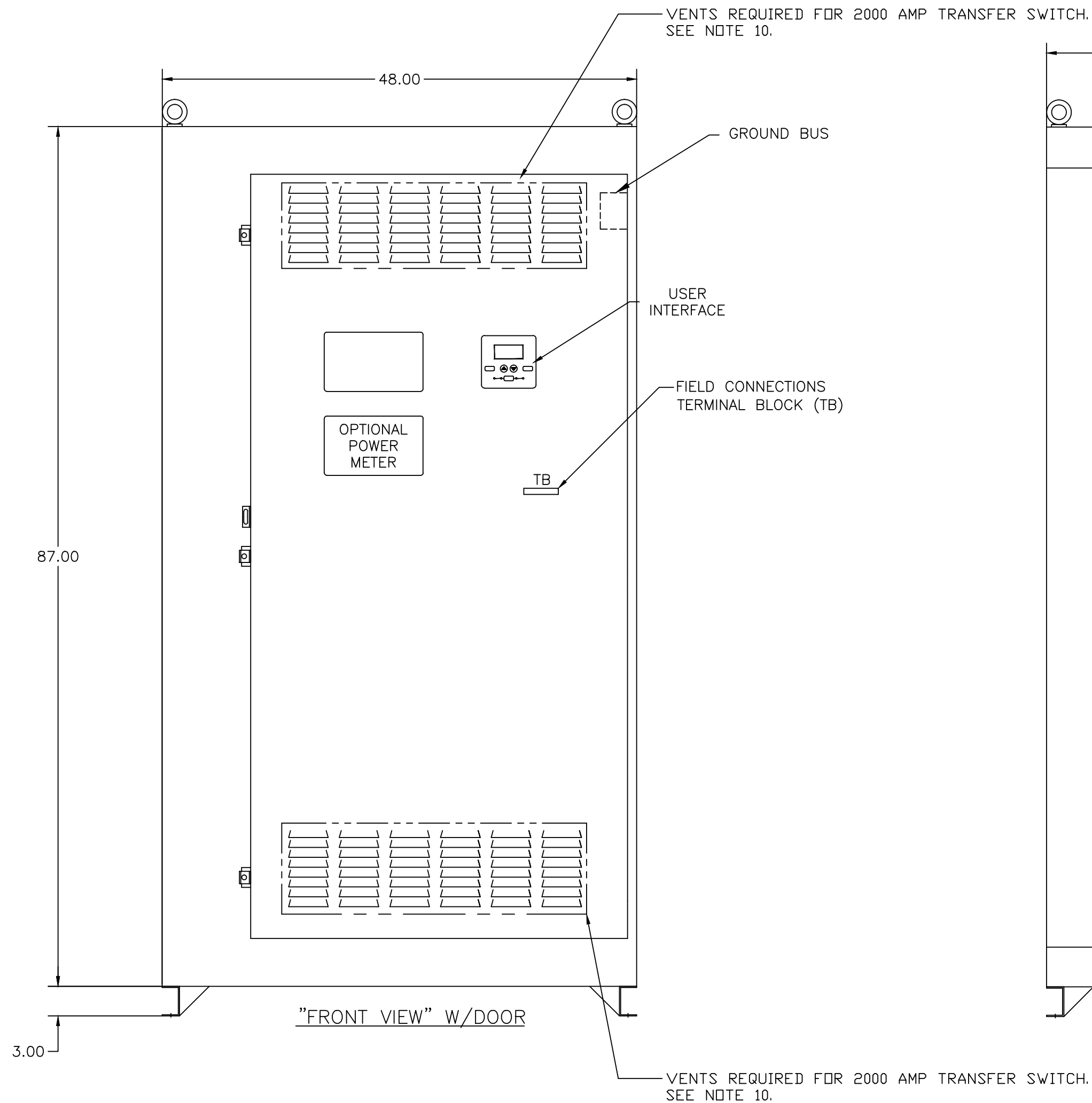


8 7 6 5 4 3 2 1

**OUTLINE FOR ASCO® 300 SERIES 1000-2000 AMPERE "G" FRAME (G3ATS,G3NTS,G3ADTS,G3NDTS) FRONT CONNECTED TRANSFER SWITCHES TYPE 3R/4/12**



"TOP VIEW"



**GENERAL NOTES**

- TYPE 3R/4/12 ENCLOSURE. FREE STANDING. FLOOR MOUNTED. CODE GAUGE FORMED FRAME CONSTRUCTION. CODE GAUGE FORMED FRAME CONSTRUCTION. FOR 1000-1600 AMPS (SEE NOTE: #10 FOR 2000 AMPS)
- NEC STANDARD GAUGE PAN TYPE DOOR WITH LOCKABLE HANDLE.
- FINISH: ANSI 61 GRAY, POLYESTER POWDER STANDARD. OTHER ANSI COLORS AVAILABLE CONSULT FACTORY. UL RECOGNIZED.
- CONSTRUCTION IS IN ACCORDANCE WITH APPLICABLE REQUIREMENTS OF UL 50 AND 1008.
- RECOMMENDED CLEARANCES:  
FRONT: 40 INCHES
- A 20% RATED GROUND BUS IS PROVIDED.
- UNIT IS DESIGNED FOR COMBINATION TOP AND BOTTOM CABLE ENTRY. THE SWITCH CONFIGURATION IS FOR TOP ENTRY EMERGENCY & LOAD AND BOTTOM ENTRY NORMAL.
- NEUTRAL CONFIGURATIONS:  
AN OPTIONAL FULL RATED NEUTRAL CONFIGURATION FOR EACH SOURCE AND THE LOAD MAY BE PROVIDED. WHEN EQUIPPED IT IS IN ONE OF THE FOLLOWING FORMATS AS SPECIFIED BY THE CATALOG NUMBER NO.  
NEUTRAL TYPE:  
(A) SOLID (COPPER BUS) NEUTRAL.  
(B) SWITCHED NEUTRAL POLE.
- TYPE 12 IS CONVERTED TO TYPE 3R BY PUNCHING OUT THE (2) K.O.'S LOCATED IN ENCLOSURE BOTTOM AREA.
- 2000 AMPS REQUIRES VENTS AND IS ONLY AVAILABLE IN NEMA TYPE 3R.
- CG CENTER OF GRAVITY

**CABLING NOTES**

- ALL SIZES SUPPLIED STANDARD WITH MECHANICAL (SCREW TYPE) LUGS. (SEE AMP SIZE BELOW)  
A. LUG MATERIAL: ALUMINUM ALLOY 6061-T6 WITH ELECTRO TIN PLATED FINISH.  
B. SCREW MATERIAL: ALUMINUM ALLOY 6262-T9 WITH ELECTRO TIN PLATED FINISH.  
C. UL LISTED, CSA CERTIFIED.  
D. LUG SCREW TIGHTENING TORQUE PER UL 486B: 19 FT-LBS.  
E. SUITABLE WIRE BENDING SPACE IS PROVIDED. (SEE AMP SIZE BELOW)
- GROUND LUGS ARE PROVIDED STANDARD AS FOLLOWS. (SEE AMP SIZE BELOW)

**NOTES 1000-1200 AMPS**

- SUPPLIED WITH STANDARD MECHANICAL (SCREW TYPE) LUGS ON THE NORMAL, EMERGENCY & LOAD BUS STABS. ONE (1) LUG PER PHASE AND NEUTRAL EACH SUITABLE FOR CONNECTION OF FOUR (4) 1/0 -750MCM CU/AL CABLE (SEE NOTE "E" BELOW).  
E. SUITABLE WIRE BENDING SPACE IS PROVIDED FOR UP TO FOUR (4) 600MCM CABLES PER TERMINAL PER NEC.
- GROUND LUGS ARE PROVIDED STANDARD AS FOLLOWS;  
(12) 1/0 - 750MCM CU/AL CABLE

**NOTES 1600-2000 AMPS**

- SUPPLIED WITH STANDARD MECHANICAL (SCREW TYPE) LUGS ON THE NORMAL, EMERGENCY & LOAD BUS STABS. ONE (1) LUG PER PHASE AND NEUTRAL EACH SUITABLE FOR CONNECTION OF SIX (6) 1/0 -750MCM CU/AL CABLE (SEE NOTE "E" BELOW).  
E. SUITABLE WIRE BENDING SPACE IS PROVIDED FOR UP TO SIX (6) 750MCM CABLES PER TERMINAL PER NEC.
- GROUND LUGS ARE PROVIDED STANDARD AS FOLLOWS;  
(12) 1/0 - 750MCM CU/AL CABLE

A	246991	TR	BK	2/27/14
	SEE ECN			
	246420	AE	BK	01/23/14
	ISSUED			
REV. TO SHEET	ECN NO.	BY	APP.	DATE

PROJECT NAME:				
OUTLINE				
300 SERIES TYPE 3R/4/12				
1000-2000 AMP (F/C ONLY)				
DRAWN BY	AE	01/23/14	MANUFACTURING TOLERANCES TO BE IN ACCORDANCE WITH ASCO PROCEDURE MP-1-003. FOR PLASTIC PARTS SEE MP-1-055.	ASSEM. REF. NO.
CHECKED	BK	01/23/14	PROPERTY OF ASCO POWER TECHNOLOGIES. USE PERMITTED FOR OUR WORK ONLY. ALL RIGHTS OF DESIGN OR INVENTION ARE RESERVED.	SCALE NONE SIZE DS
PROJECT APPROVAL	BK	01/23/14		DWG. NO. 1001395-006
FINAL APPROVAL				DRAWING A REV. A ECN NO. 246991 SHEET 1 OF 1

