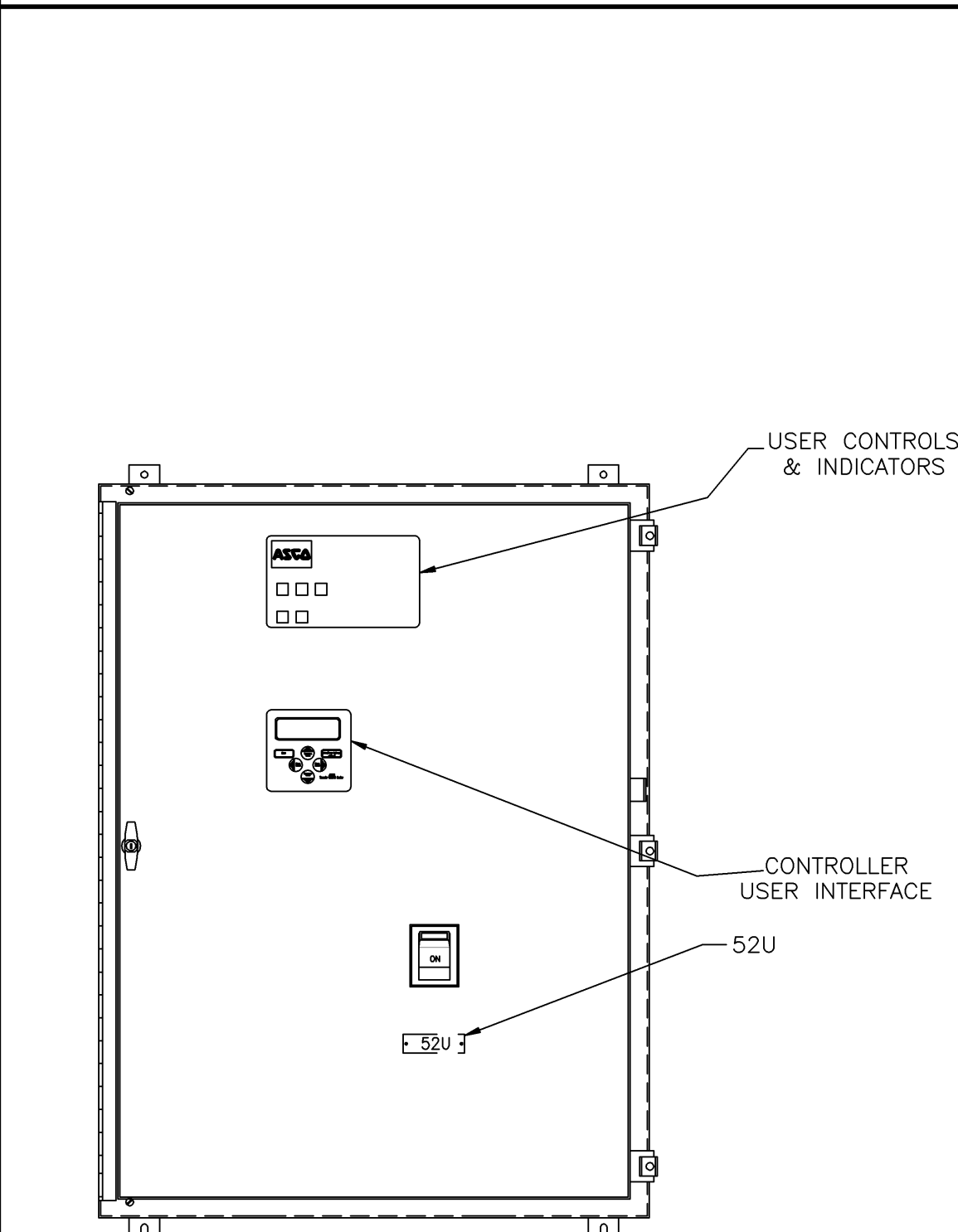
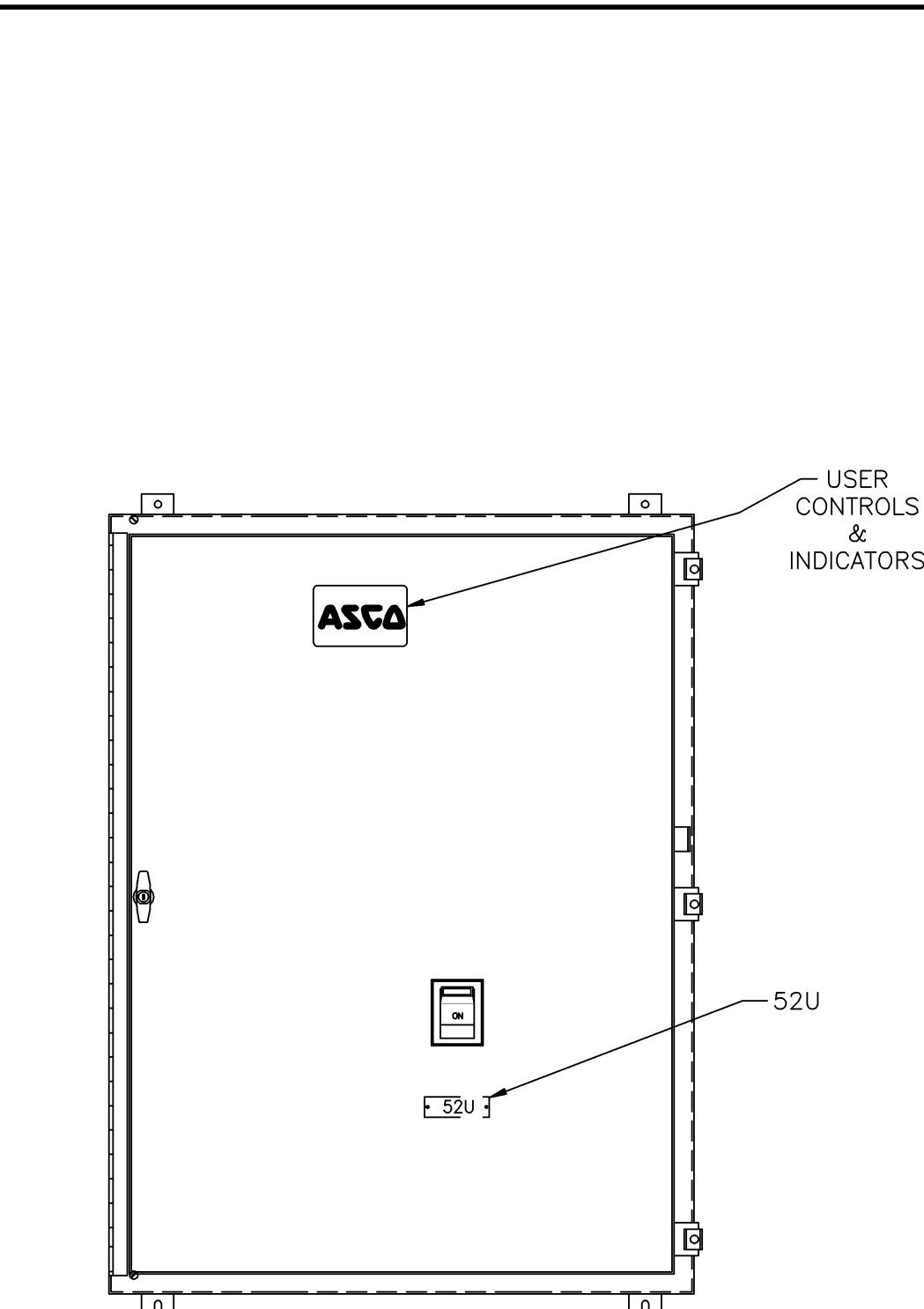


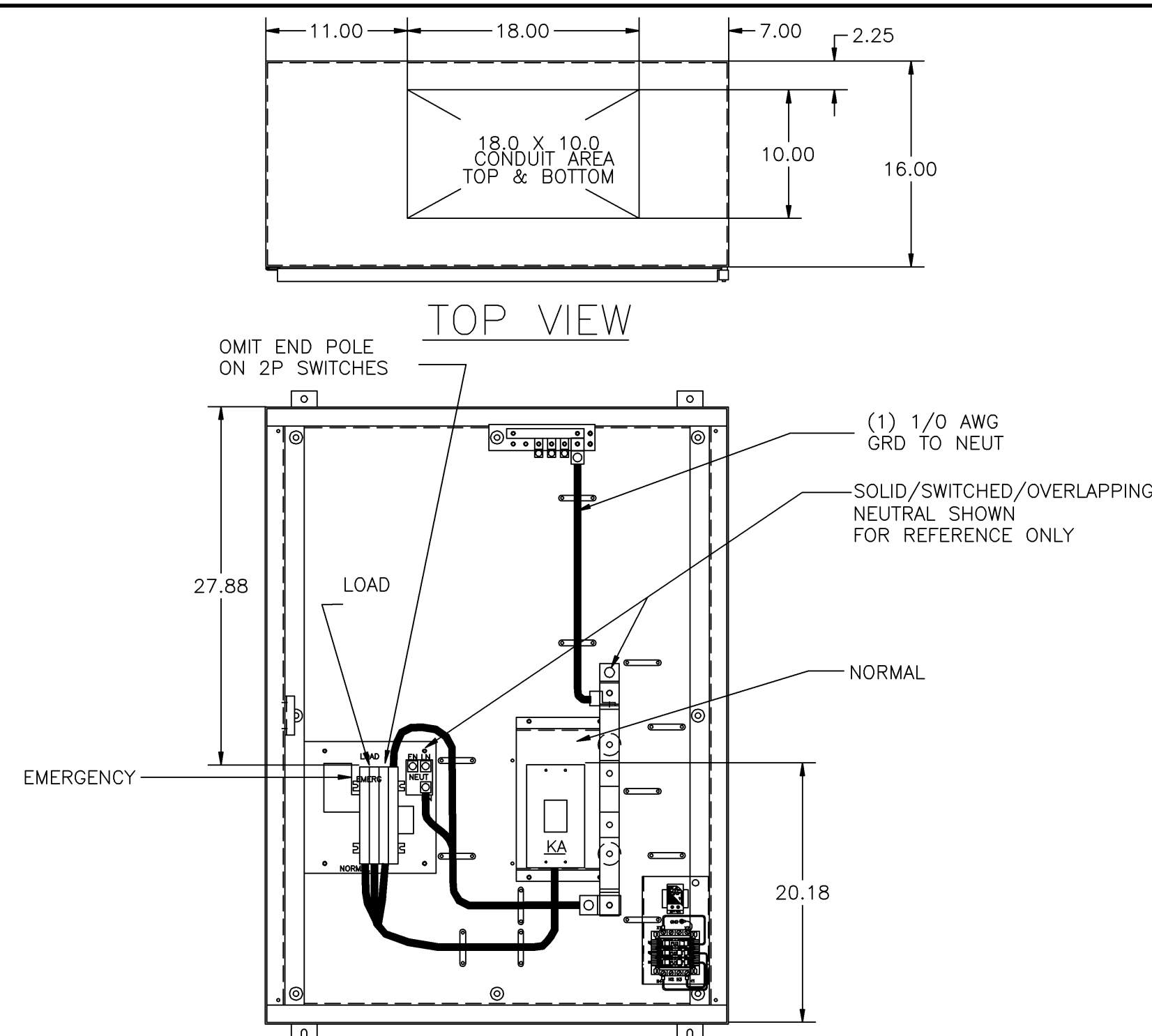
COMPOSITE OUTLINE FOR **ASCO** 7000 SERIES (D7AUS) & 300 SERIES (D3AUS) , 386 (D3NUS) 70-225 AMPERE WITH SERVICE ENTRANCE BREAKER



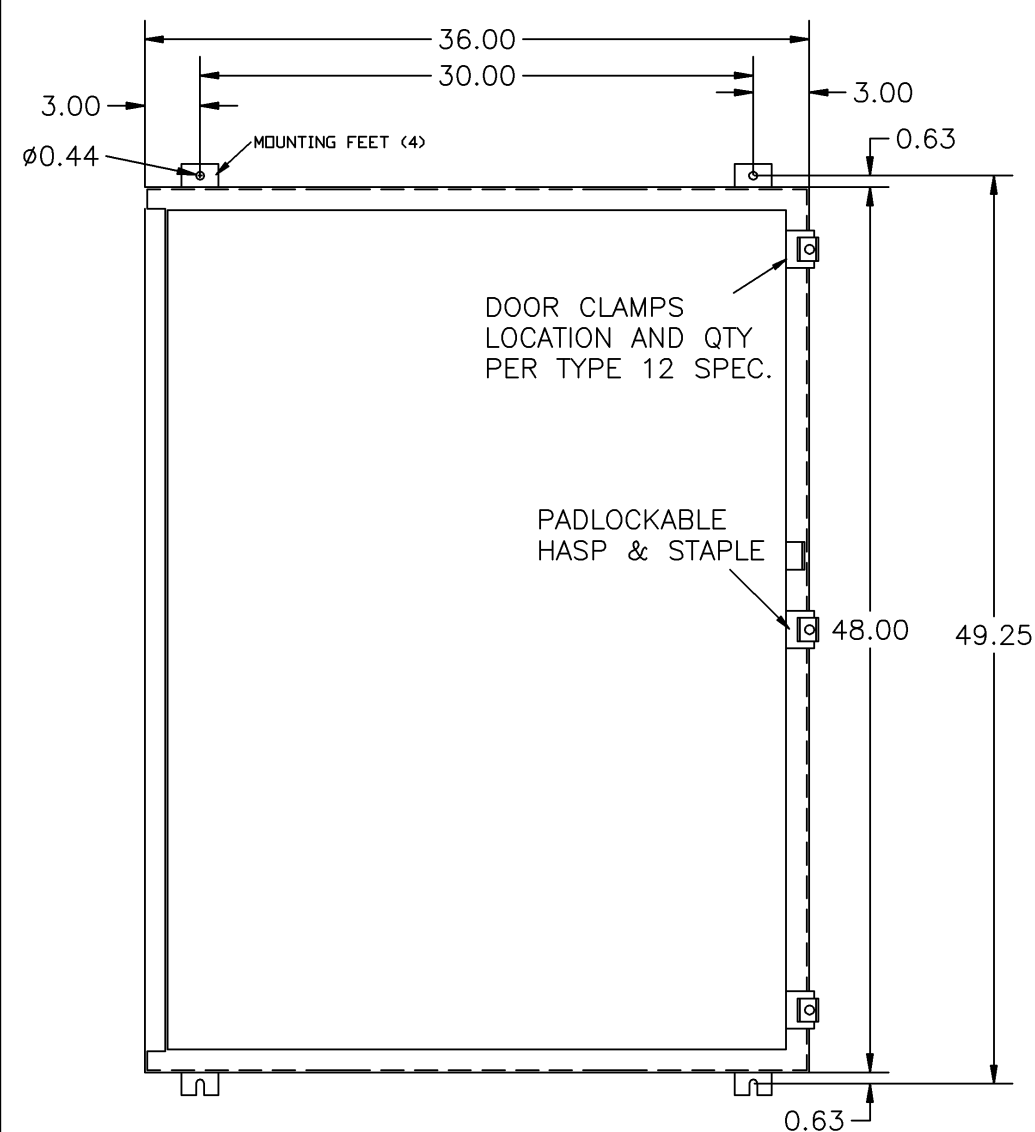
INNER DOOR FRONT VIEW
7000 SERIES



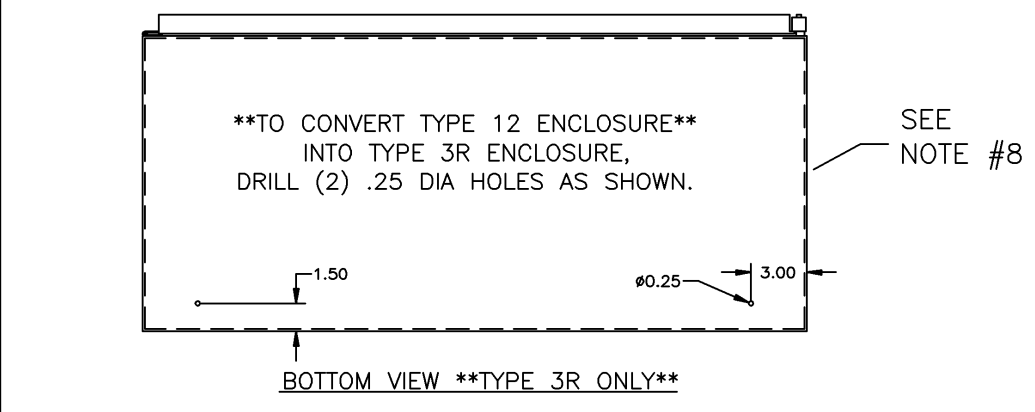
INNER DOOR FRONT VIEW
300/386 SERIES



FRONT VIEW WITHOUT INNER DOOR

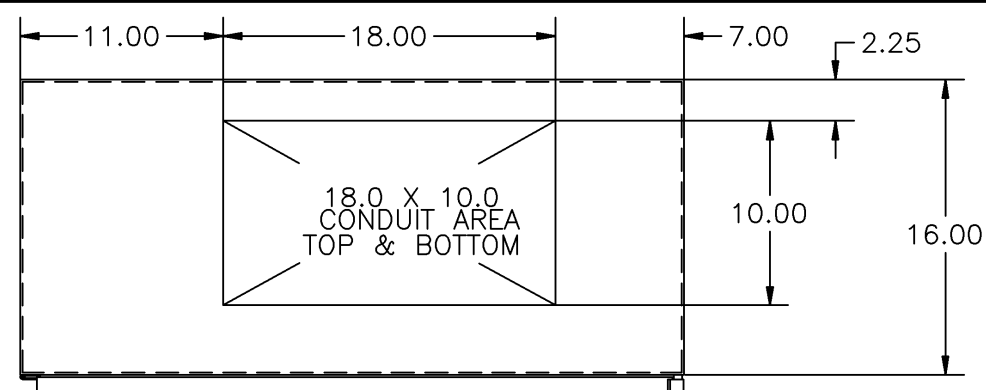


FRONT VIEW

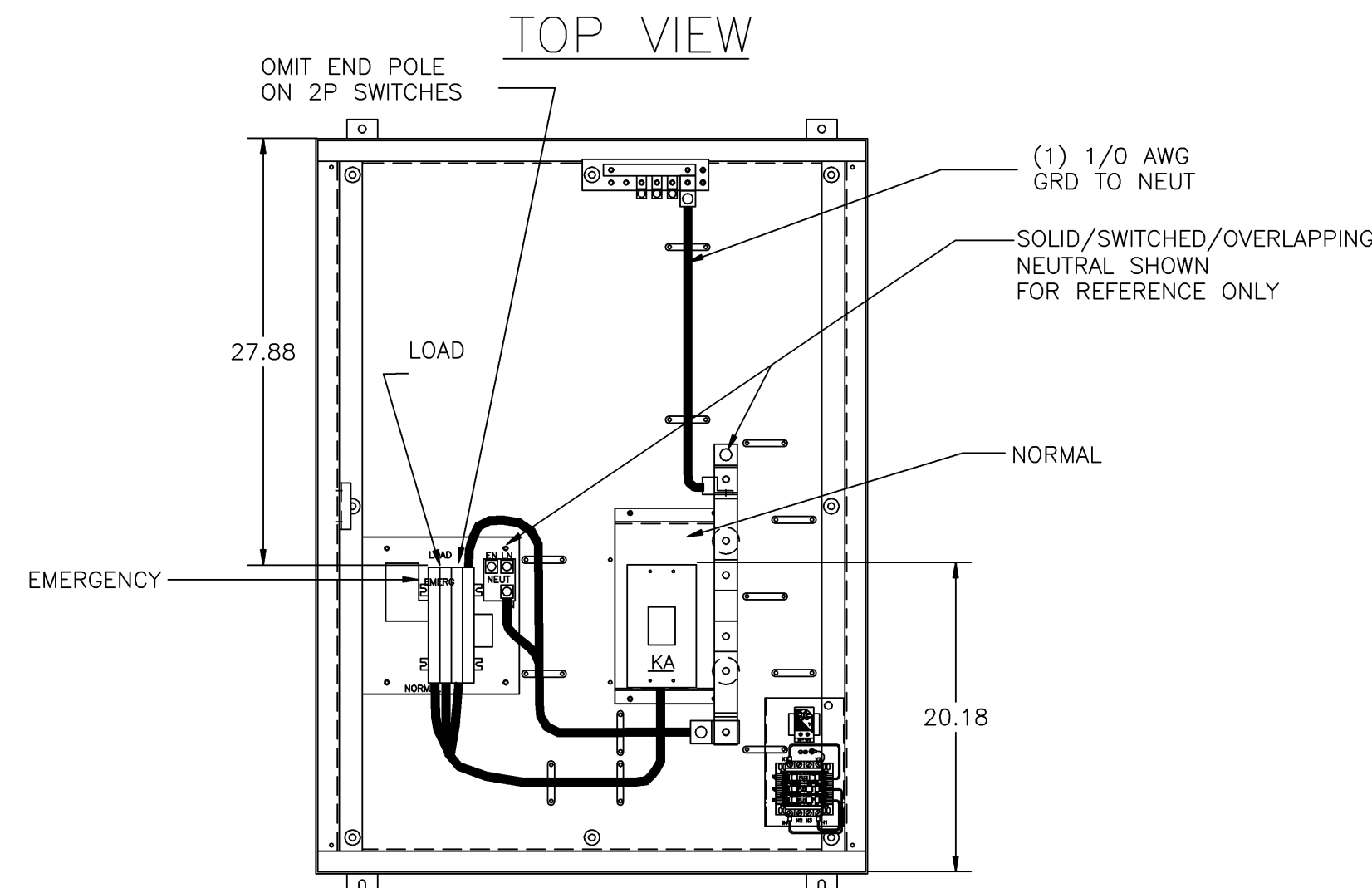


BOTTOM VIEW **TYPE 3R ONLY**

TO CONVERT TYPE 12 ENCLOSURE INTO TYPE 3R ENCLOSURE, DRILL (2) .25 DIA HOLES AS SHOWN. SEE NOTE #8



TOP VIEW



EMERGENCY

LOAD

NORMAL

52U

OMIT END POLE ON 2P SWITCHES

(1) 1/0 AWG GRD TO NEUT

SOLID/SWITCHED/OVERLAPPING NEUTRAL SHOWN FOR REFERENCE ONLY

NORMAL

27.88

20.18

11.00

18.00

7.00

2.25

10.00

16.00

18.0 X 10.0 CONDUIT AREA TOP & BOTTOM

USER CONTROLS & INDICATORS

CONTROLLER USER INTERFACE

52U

DOOR CLAMPS LOCATION AND QTY PER TYPE 12 SPEC.

PADLOCKABLE HASP & STAPLE

36.00

30.00

3.00

0.63

48.00

49.25

0.63

1.50

0.25

3.00

SEE NOTE #8

EMERGENCY

LOAD

FACTORY WIRING

NEUTRAL

DISCONNECT LINK

BONDING JUMPER

GROUND

SEE NOTE #4 70-225A

NORMAL

SEE NOTE #4 70-225A/

SEE NOTE #4 70-225A/ 400A

EMERGENCY

EN

LN

NN

LOAD

FACTORY WIRING

NEUTRAL

DISCONNECT LINK

BONDING JUMPER

GROUND

SEE NOTE #4 70-225A/

NORMAL

SEE NOTE #4 70-225A/ 400A

EMERGENCY

LOAD

FACTORY WIRING

NEUTRAL

DISCONNECT LINK

BONDING JUMPER

GROUND

SEE NOTE #4 70-225A

NORMAL

SEE NOTE #4 70-225A/

SEE NOTE #4 70-225A/ 400A

EMERGENCY

LOAD

FACTORY WIRING

NEUTRAL

DISCONNECT LINK

BONDING JUMPER

GROUND

SEE NOTE #4 70-225A

NORMAL

SEE NOTE #4 70-225A/

SEE NOTE #4 70-225A/ 400A

EMERGENCY

LOAD

FACTORY WIRING

NEUTRAL

DISCONNECT LINK

BONDING JUMPER

GROUND

SEE NOTE #4 70-225A

NORMAL

SEE NOTE #4 70-225A/

SEE NOTE #4 70-225A/ 400A

EMERGENCY

LOAD

FACTORY WIRING

NEUTRAL

DISCONNECT LINK

BONDING JUMPER

GROUND

SEE NOTE #4 70-225A

NORMAL

SEE NOTE #4 70-225A/

SEE NOTE #4 70-225A/ 400A

EMERGENCY

LOAD

FACTORY WIRING

NEUTRAL

DISCONNECT LINK

BONDING JUMPER

GROUND

SEE NOTE #4 70-225A

NORMAL

SEE NOTE #4 70-225A/

SEE NOTE #4 70-225A/ 400A

EMERGENCY

LOAD

FACTORY WIRING

NEUTRAL

DISCONNECT LINK

BONDING JUMPER

GROUND

SEE NOTE #4 70-225A

NORMAL

SEE NOTE #4 70-225A/

SEE NOTE #4 70-225A/ 400A

EMERGENCY

LOAD

FACTORY WIRING

NEUTRAL

DISCONNECT LINK

BONDING JUMPER

GROUND

SEE NOTE #4 70-225A

NORMAL

SEE NOTE #4 70-225A/

SEE NOTE #4 70-225A/ 400A

EMERGENCY

LOAD

FACTORY WIRING

NEUTRAL

DISCONNECT LINK

BONDING JUMPER

GROUND

SEE NOTE #4 70-225A

NORMAL

SEE NOTE #4 70-225A/

SEE NOTE #4 70-225A/ 400A

EMERGENCY

LOAD

FACTORY WIRING

NEUTRAL

DISCONNECT LINK

BONDING JUMPER

GROUND

SEE NOTE #4 70-225A

NORMAL

SEE NOTE #4 70-225A/

SEE NOTE #4 70-225A/ 400A

EMERGENCY

LOAD

FACTORY WIRING

NEUTRAL

DISCONNECT LINK

BONDING JUMPER

GROUND

SEE NOTE #4 70-225A

NORMAL

SEE NOTE #4 70-225A/

SEE NOTE #4 70-225A/ 400A

EMERGENCY

LOAD

FACTORY WIRING

NEUTRAL

DISCONNECT LINK

BONDING JUMPER

GROUND

SEE NOTE #4 70-225A

NORMAL

SEE NOTE #4 70-225A/

SEE NOTE #4 70-225A/ 400A

EMERGENCY

LOAD

FACTORY WIRING

NEUTRAL

DISCONNECT LINK

BONDING JUMPER

GROUND

SEE NOTE #4 70-225A

NORMAL

SEE NOTE #4 70-225A/

SEE NOTE #4 70-225A/ 400A

EMERGENCY

LOAD

FACTORY WIRING

NEUTRAL

DISCONNECT LINK

BONDING JUMPER

GROUND

SEE NOTE #4 70-225A

NORMAL

SEE NOTE #4 70-225A/

SEE NOTE #4 70-225A/ 400A

EMERGENCY

LOAD

FACTORY WIRING

NEUTRAL

DISCONNECT LINK

BONDING JUMPER

GROUND

SEE NOTE #4 70-225A

NORMAL

SEE NOTE #4 70-225A/

SEE NOTE #4 70-225A/ 400A

EMERGENCY

LOAD

FACTORY WIRING

NEUTRAL

DISCONNECT LINK

BONDING JUMPER

GROUND

SEE NOTE #4 70-225A

NORMAL

SEE NOTE #4 70-225A/

SEE NOTE #4 70-225A/ 400A

EMERGENCY

LOAD

FACTORY WIRING

NEUTRAL

DISCONNECT LINK

BONDING JUMPER

GROUND

SEE NOTE #4 70-225A

NORMAL

SEE NOTE #4 70-225A/

SEE NOTE #4 70-225A/ 400A

EMERGENCY

LOAD

FACTORY WIRING

NEUTRAL

DISCONNECT LINK

BONDING JUMPER

GROUND

SEE NOTE #4 70-225A

NORMAL

SEE NOTE #4 70-225A/

SEE NOTE #4 70-225A/ 400A

EMERGENCY

LOAD

FACTORY WIRING

NEUTRAL

DISCONNECT LINK

BONDING JUMPER

GROUND

SEE NOTE #4 70-225A

NORMAL

SEE NOTE #4 70-225A/