


OUTLINE FOR ASCO® 300 SERIES TRANSFER SWITCHES (D3ATS/D3NTS) 30-230 AMPERES, TYPE 1 ENCLOSURE

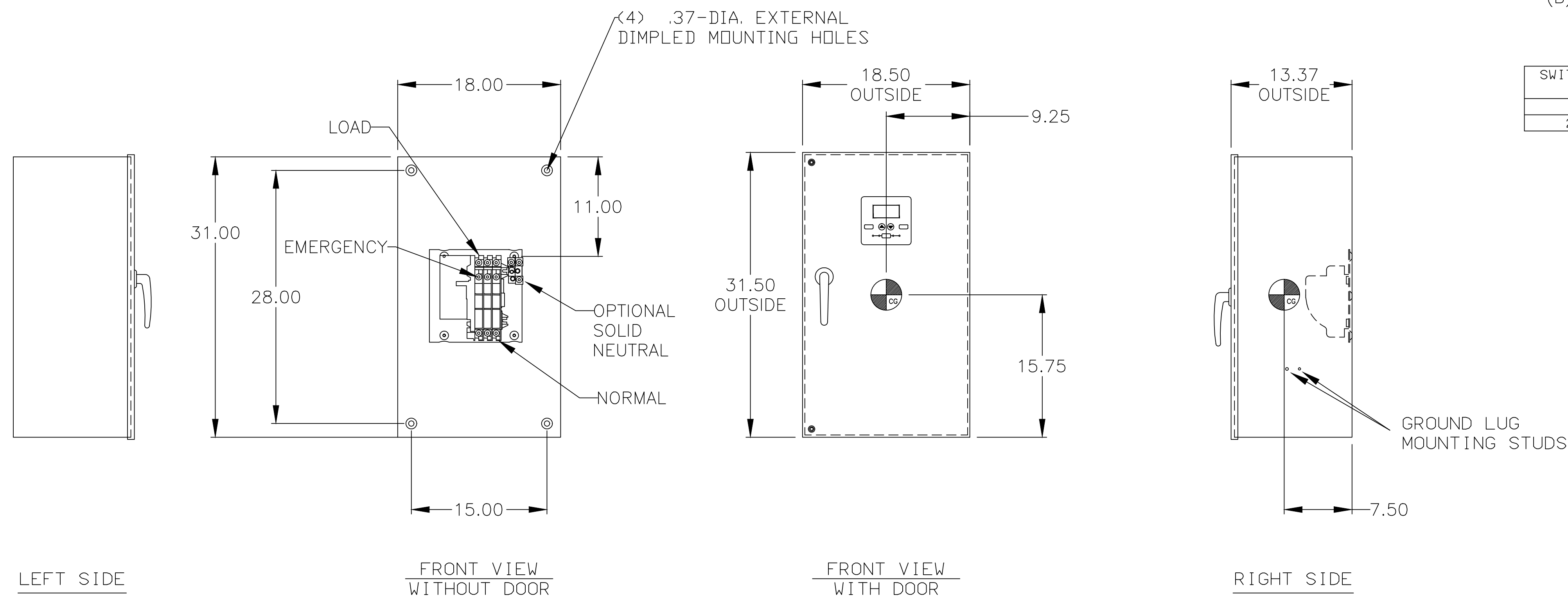
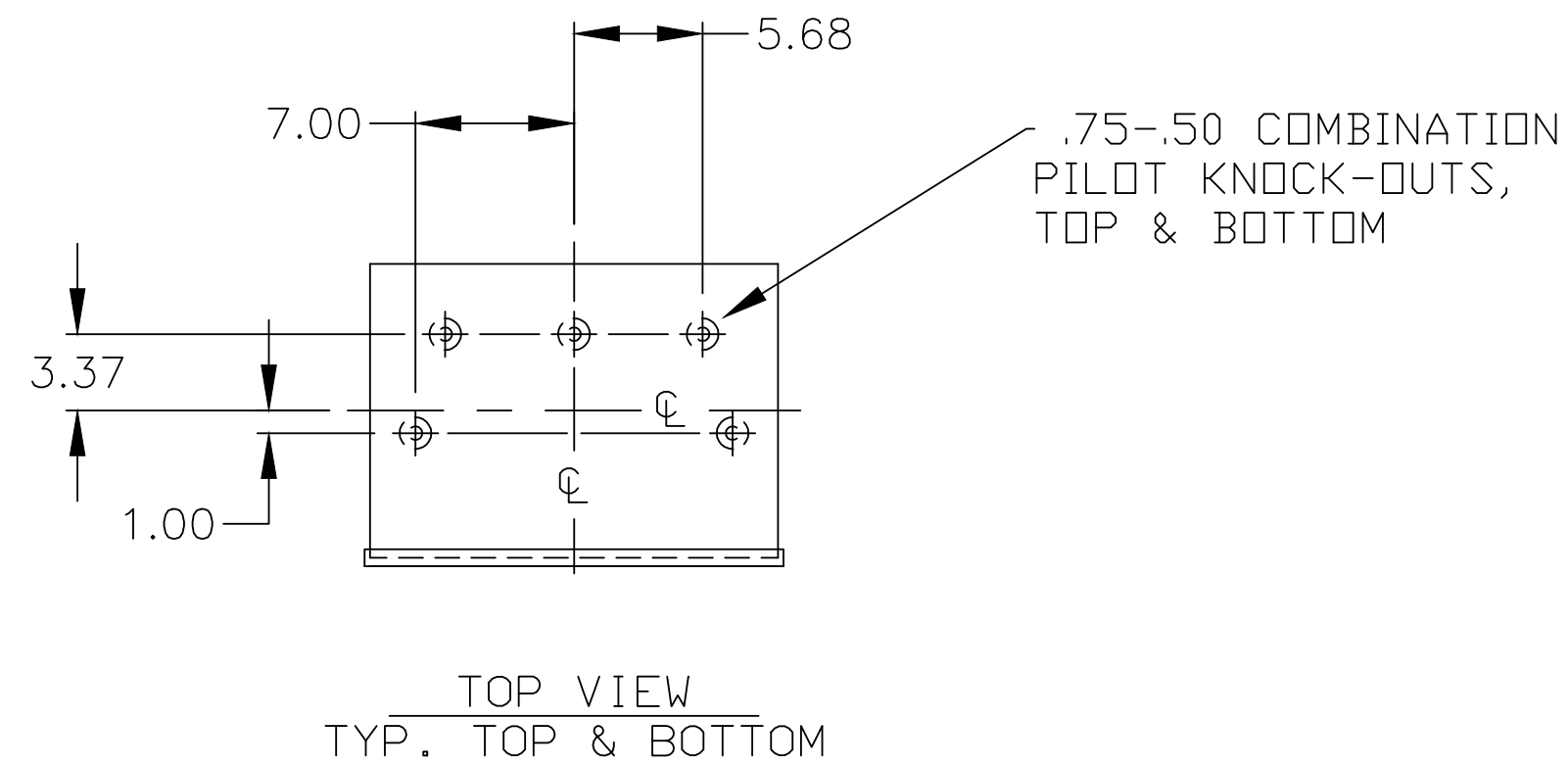
GENERAL NOTES

- TYPE 1 WALL MOUNTED ENCLOSURE.
- STANDARD FINISH – LIGHT GRAY, ANSI 61. OTHER FINISHES AVAILABLE CONSULT FACTORY.
- KEY LOCKABLE HANDLE.
- REMOVABLE SINGLE DOOR
- TERMINALS – SCREW TYPE LUGS FOR EXTERNAL POWER CONNECTIONS.
-  = CENTER OF GRAVITY.
- THREE POLE SWITCH WITH SOLID NEUTRAL SHOWN FOR REFERENCE.
- NEUTRAL CONFIGURATIONS:

AN OPTIONAL FULL RATED NEUTRAL CONFIGURATION FOR EACH SOURCE AND THE LOAD MAY BE PROVIDED. WHEN EQUIPPED IT IS IN ONE OF THE FOLLOWING FORMATS AS SPECIFIED BY THE CATALOG NUMBER NO. NEUTRAL TYPE:

- (A) SOLID (COPPER BUS) NEUTRAL
- (B) SWITCHED NEUTRAL POLE

SWITCH RATING (AMPS)	RANGE OF WIRE
30-150	(1) #14 TO 4/0 AWG AL-CU WIRE
200-230	(1) #14 TO 4/0 AWG COPPER WIRE



LEFT SIDE

PROJECT NAME:		245035	BWM	SDH	10/24/13
COMPOSITE OUTLINE		ISSUE	REV. TO SHEET	ECN. NO.	BY
300 SERIES, D3ATS/D3NTS RATED 30-230 AMPERES		DATE	APP.	DATE	
TYPE 1 ENCLOSURE		COMPUTER GENERATED DRAWING			
DRAWN BY	BY	DATE	MANUFACTURING TOLERANCES TO BE IN ACCORDANCE WITH ASCO PROCEDURE MP-1-003. FOR PLASTIC PARTS SEE MP-1-055.	ASSEM. REF. NO.	SCALE NONE SIZE DS
CHECKED	SDH	10/24/13	PROPERTY OF ASCO POWER TECHNOLOGIES. USE PERMITTED FOR OUR WORK ONLY. ALL RIGHTS OF DESIGN OR INVENTION ARE RESERVED.		DWG. NO. 978723
PROJECT APPROVAL					REV. NO. 245035
FINAL APPROVAL					SHEET 1 OF 1

ASCO ASCO POWER TECHNOLOGIES, L.P.
FLORHAM PARK, NEW JERSEY 07932 U.S.A.