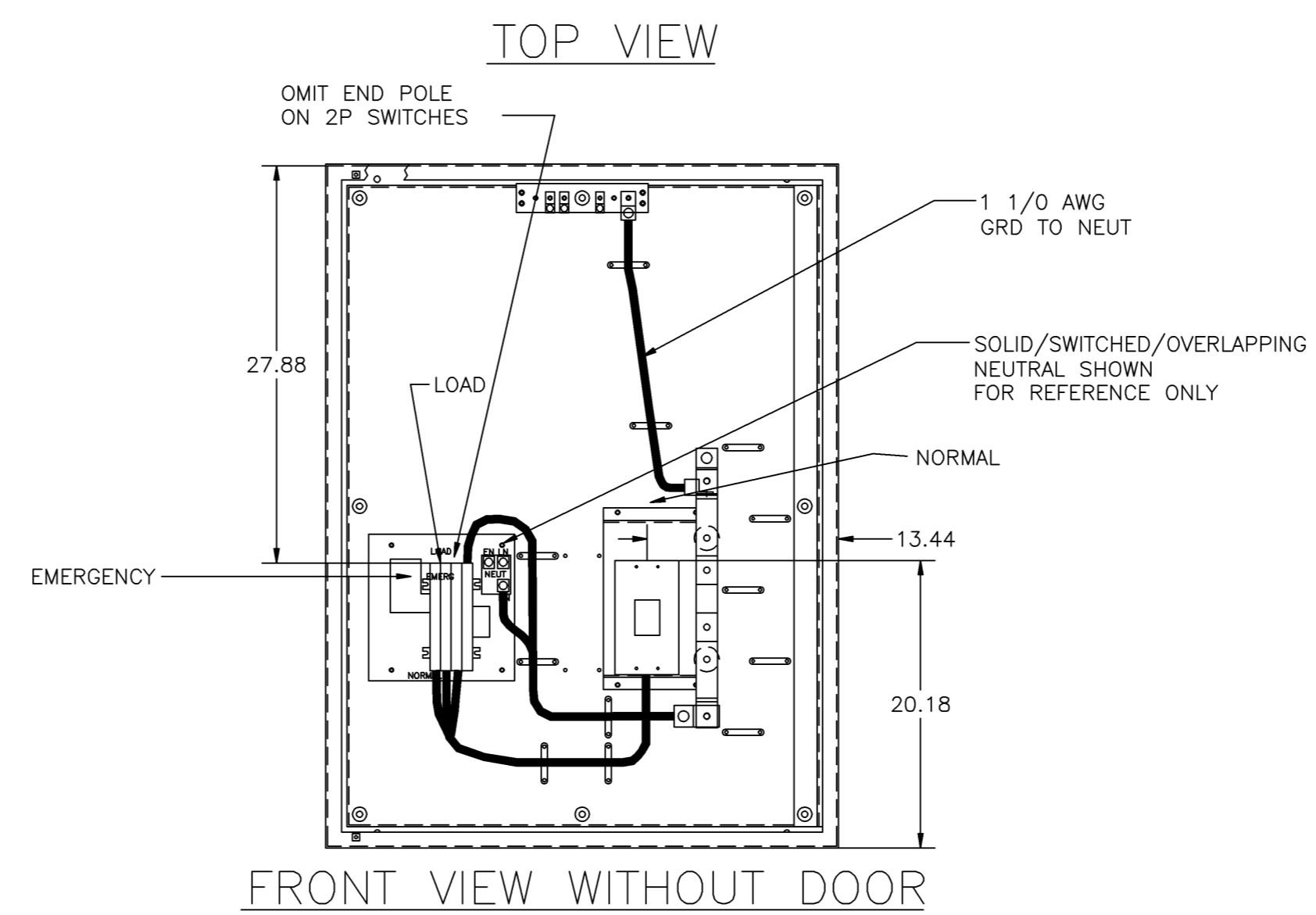
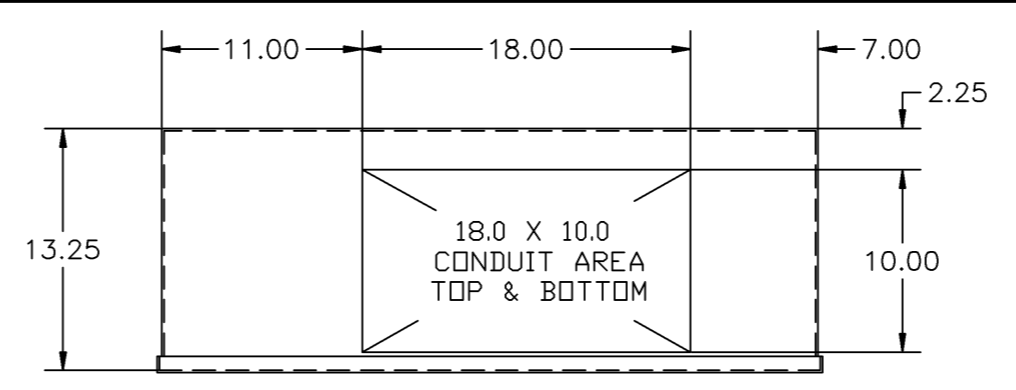
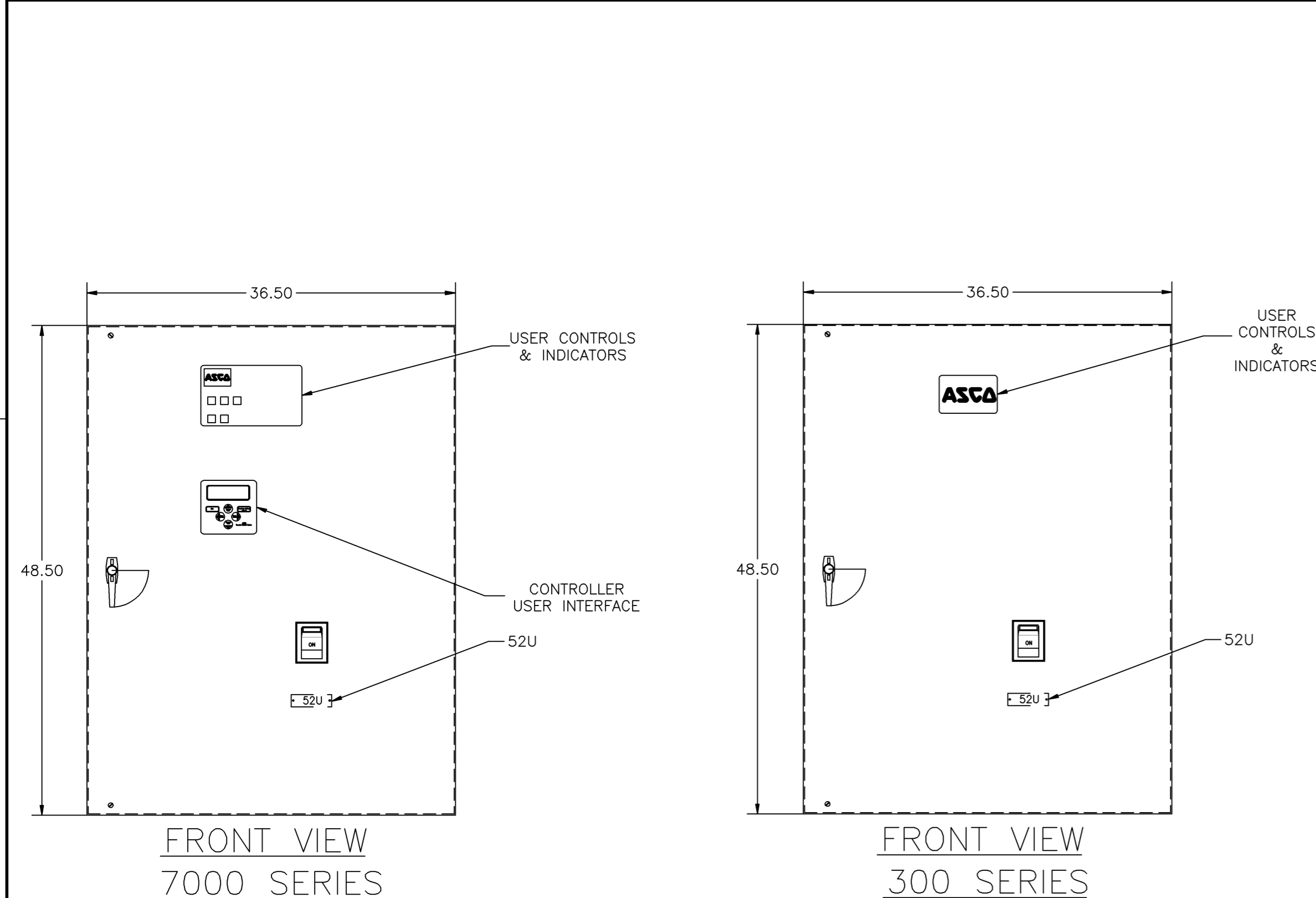


COMPOSITE OUTLINE FOR **ASCO** 7000 SERIES (D7AUS) & 300 SERIES (D3AUS) 70-225 AMPERE WITH SERVICE ENTRANCE BREAKER



**GENERAL NOTES**

- TYPE 1 WALL MOUNTED ENCLOSURE.
- DOOR HAS KEY LOCKABLE HANDLE AND CAPTIVE SCREWS AS REQUIRED.
- FINISH: ANSI 61 GRAY POLYESTER SEMI GLOSS ELECTROSTATIC POWDER.
- RECOMMENDED CLEARANCES:  
FRONT: 36 INCHES
- ALL BUS IS SILVER-PLATED COPPER, BASED ON 1000A PER SQ. IN. DENSITY.
- A FULL RATED NEUTRAL CONNECTION FOR EACH SOURCE AND THE LOAD IS OPTIONAL. WHEN PROVIDED IT IS IN ONE OF THE FOLLOWING FORMATS AS SPECIFIED BY THE CATALOG NO. NEUTRAL TYPE:
  - SOLID (COPPER BUS) NEUTRAL (PROVIDED STANDARD ON D3AUS)
  - SWITCHED NEUTRAL POLE
  - OVERLAPPING NEUTRAL POLE
- DESIGNED FOR FRONT ACCESS ONLY.
- FOR SPECIFIED TRANSFER SWITCH, REFER TO OPERATOR'S MANUAL PROVIDED WITH UNIT.

**SPECIFICATIONS**

- SERVICE VOLTAGE:  
SYSTEM RATING: 70 AMPS, 80 AMPS, 90 AMPS, 100 AMPS, 110 AMPS, 125 AMPS, 150 AMPS, 175 AMPS, 200 AMPS, 225 AMPS 3 $\phi$ , 4W OR 1 $\phi$ , 3W.  
GROUND BUS- 100 AMPS  
SHORT CIRCUIT RATING- 22,000 RMS SYM AMPERES @ 480V.  
THE EMERGENCY SOURCE INPUT MUST BE PROTECTED BY A REMOTE OVERCURRENT PROTECTION DEVICE AS LISTED ON THE MARKINGS ON THE TRANSFER SWITCH.
- BATTERY VOLTAGE: N/A
- NEUTRAL BUS: A FULL RATED NEUTRAL IS PROVIDED.
- APPLICABLE LABELS: U.L. 1008- SUITABLE ONLY FOR USE AS SERVICE EQUIPMENT.

**NOTES 70-150 AMPS**

- SUPPLIED WITH STANDARD MECHANICAL (SCREW TYPE) LUGS ON THE EMERGENCY & LOAD BUS STABS. ONE (1) LUG PER PHASE AND NEUTRAL EACH SUITABLE FOR CONNECTION OF (1) #14 TO 4/0 AWG CU/AL CABLE (SEE NOTE "A" BELOW).
  - SUITABLE WIRE BENDING SPACE IS PROVIDED FOR UP TO ONE (1) 4/0 AWG CABLE PER TERMINAL PER NEC.
- FACTORY WIRING: (1) 1/0 AWG PER PHASE AND NEUTRAL
- GROUND LUGS ARE PROVIDED STANDARD AS FOLLOWS:  
70-100 AMPS: (3) #14- 1/0 AWG CU/AL CABLE  
150 AMPS: (3) #6 AWG- 250 MCM CU/AL CABLE
- NORMAL CABLE CONNECTIONS SUITABLE FOR (1) #4 AWG TO 350 MCM PER  $\phi$  AND NEUTRAL.

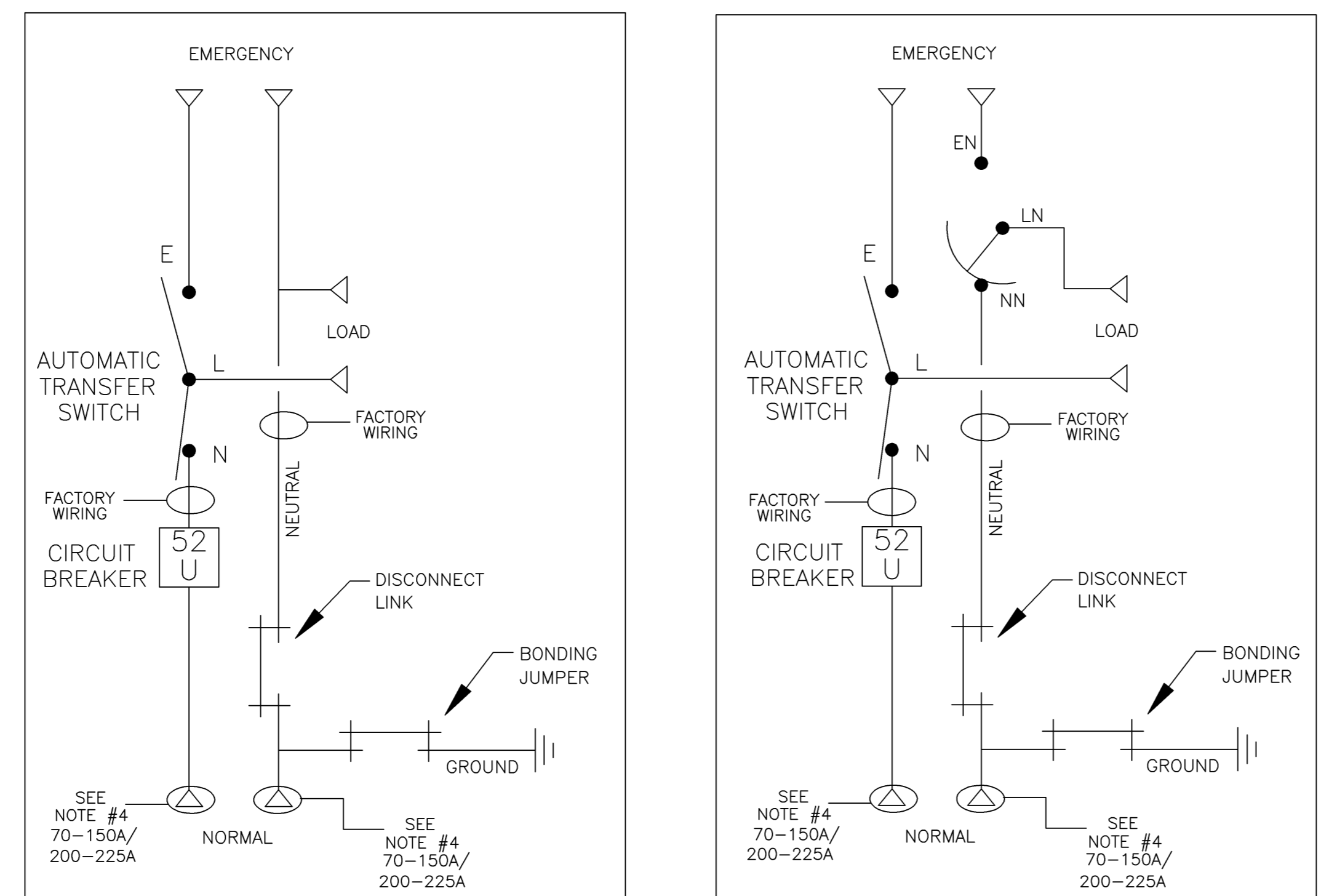
**NOTES 175-225 AMPS**

- SUPPLIED WITH STANDARD MECHANICAL (SCREW TYPE) LUGS ON THE EMERGENCY & LOAD BUS STABS. ONE (1) LUG PER PHASE AND NEUTRAL EACH SUITABLE FOR CONNECTION OF (1) #14 TO 4/0 AWG CU/AL CABLE (SEE NOTE "A" BELOW).
  - SUITABLE WIRE BENDING SPACE IS PROVIDED FOR UP TO ONE (1) 4/0 AWG CABLE PER TERMINAL PER NEC.
- FACTORY WIRING: (1) 4/0 AWG PER PHASE AND NEUTRAL
- GROUND LUGS ARE PROVIDED STANDARD AS FOLLOWS:  
(3) #6 AWG- 250 MCM CU/AL CABLE
- NORMAL CABLE CONNECTIONS SUITABLE FOR (1) #4 AWG TO 350 MCM PER  $\phi$  AND NEUTRAL.

**CIRCUIT BREAKER: ITEM 52U**

SQUARE "D" TYPE 'KAL', 250AF/70AT, 250AF/80AT, 250AF/90AT, 250AF/100AT, 250AF/110AT, 250AF/125AT, 250AF/150AT, 250AF/175AT, 250AF/200AT, OR 250AF/225AT THERMAL-MAGNETIC MOLDED CASE CIRCUIT BREAKER.

**ONE LINE DIAGRAMS**



(WITH SOLID NEUTRAL) (WITH SWITCHED/OVERLAPPING NEUTRAL)

|         |        |     |    |         |
|---------|--------|-----|----|---------|
| H       | 217983 | AE  | WK | 4/16/08 |
| SEE ECN |        |     |    |         |
| G       | 217983 | AE  | WK | 4/16/08 |
| SEE ECN |        |     |    |         |
| F       | 216641 | AE  | WK | 1/10/08 |
| SEE ECN |        |     |    |         |
| E       | 209449 | KH  | WK | 8/1/06  |
| SEE ECN |        |     |    |         |
| D       | 203757 | KH  | BK | 3/14/05 |
| SEE ECN |        |     |    |         |
| C       | 203477 | CC  | BK | 02/05   |
| SEE ECN |        |     |    |         |
| B       | 201381 | TR  | WK | 8/11/04 |
| SEE ECN |        |     |    |         |
| A       | 167505 | AE  | WK | 7/02/04 |
| SEE ECN |        |     |    |         |
| -       | 166839 | AMS | WK | 4/16/04 |
| ISSUED  |        |     |    |         |

|  |     |                        |         |   |                 |                             |
|--|-----|------------------------|---------|---|-----------------|-----------------------------|
| PROJECT NAME: SERVICE ENTRANCE 70-225A, TYPE 1 ENCLOSURE |     | REV. TO SHEET          | ECN NO. | BY  | APP.            | DATE                        |
| OUTLINE  |     | MOUNTING               |         |   |                 |                             |
| SERVICE ENTRANCE 70-225A                                 |     | THIRD ANGLE PROJECTION |         |   |                 |                             |
| D7AUS/D3AUS  |     |                        |         |   |                 |                             |
| DRAWN BY   | AMS | DATE                   | 4/16/04 | MANUFACTURING TOLERANCES TO BE IN ACCORDANCE WITH ASCO PROCEDURE MP-1-003. FOR PLASTIC PARTS SEE MP-1-005.            | ASSEM. REF. NO. | COMPUTER GENERATED DRAWING  |
| CHECKED  | BK  | DATE                   | 4/16/04 | PROPERTY OF ASCO POWER TECHNOLOGIES. USE PERMITTED FOR OUR WORK ONLY. ALL RIGHTS OF DESIGN OR INVENTION ARE RESERVED. |                 | SCALE 1:1 SIZE DS           |
| PROJECT APPROVAL   | WK  | DATE                   | 4/16/04 |   |                 | DWG. NO. 754575             |
| FINAL APPROVAL   |     |                        |         |   |                 | 754575                      |
|  |     |                        |         | <b>ASCO</b> ASCO POWER TECHNOLOGIES, L.P. FLOHAM PARK, NEW JERSEY 07832 U.S.A.  | DRAWING REV. H  | ECN NO. 217983 SHEET H OF 1 |