

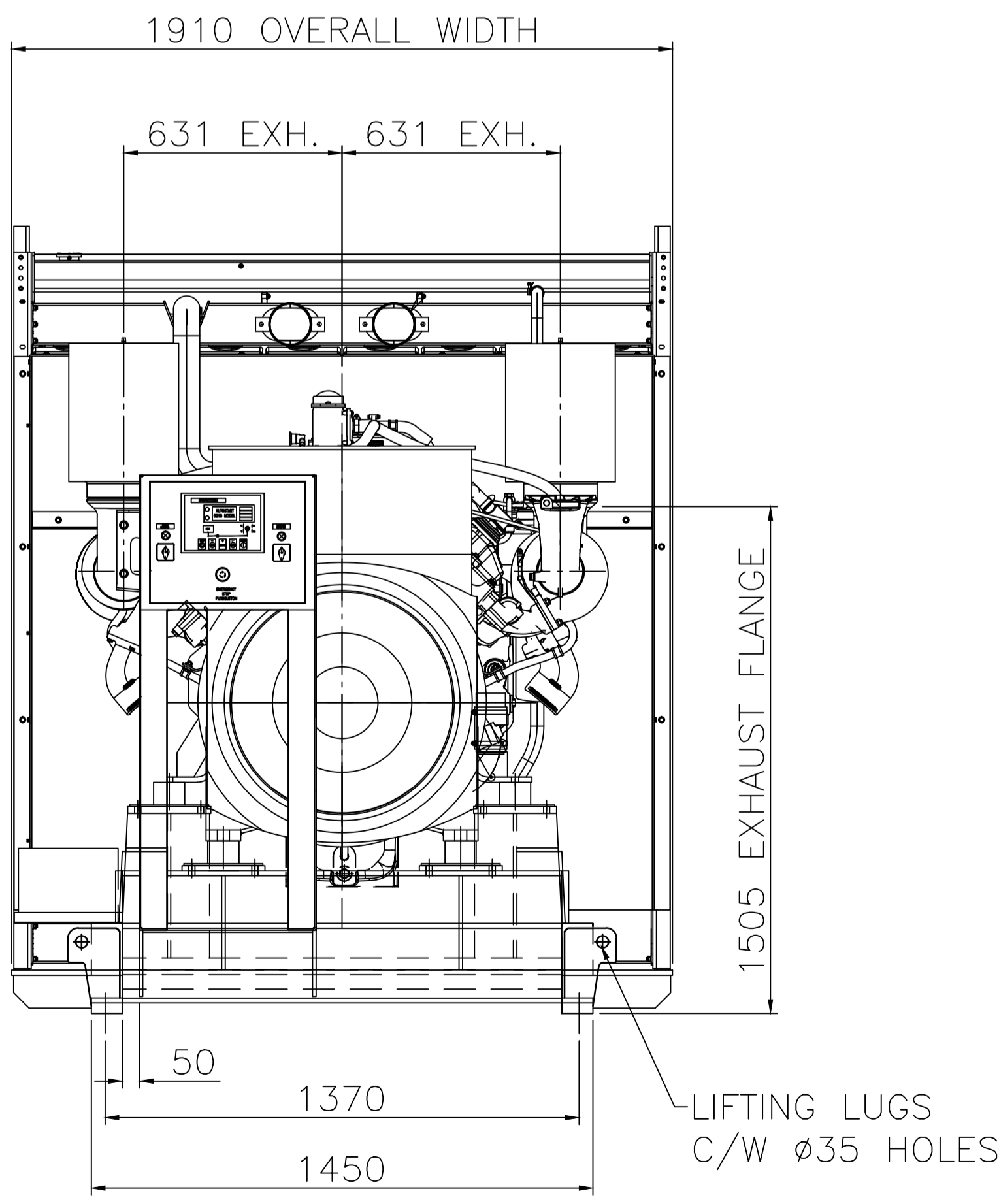
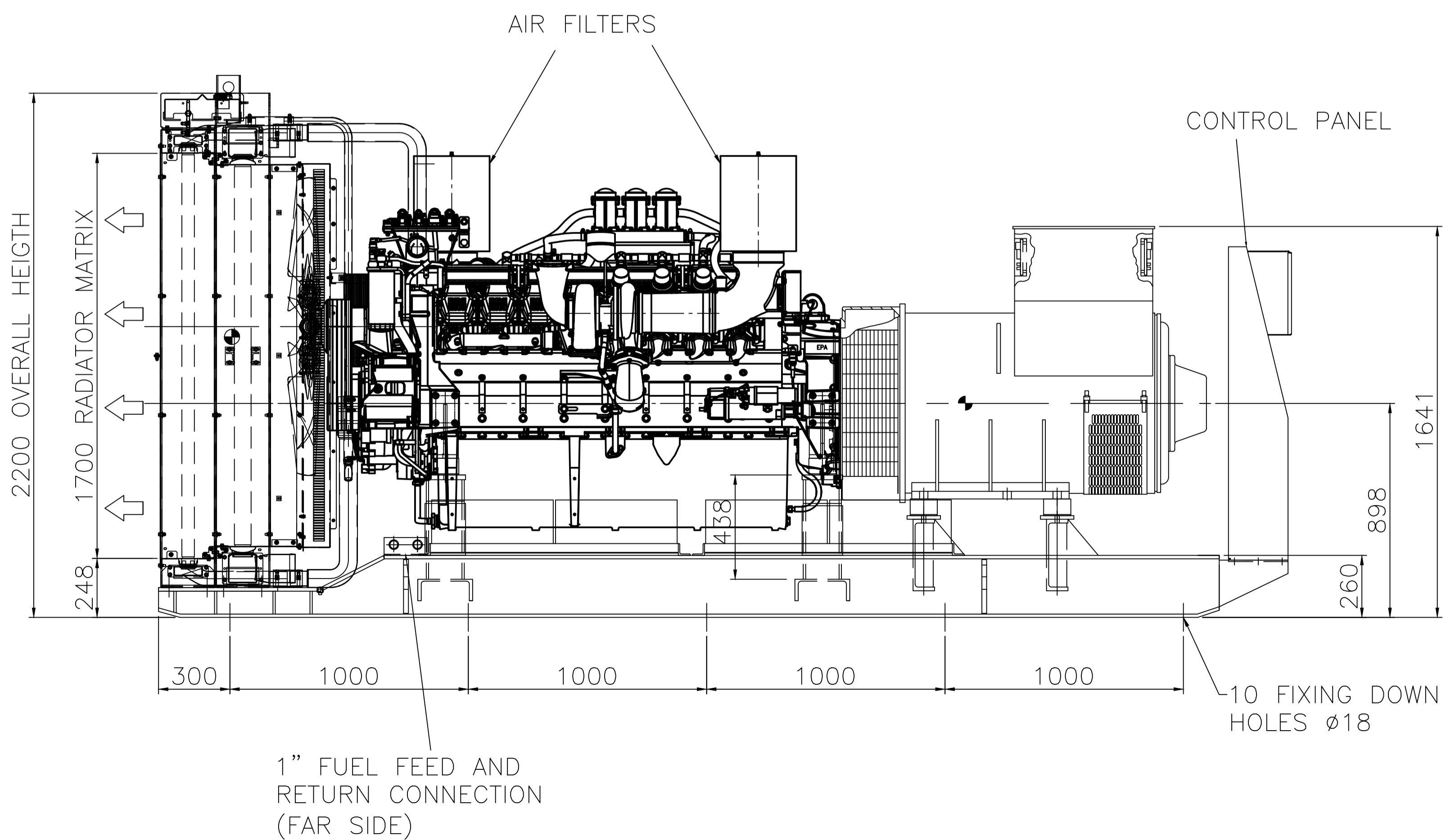
GENSET DETAILS-

ENGINE: MTU 16V 2000 G45
ALTERNATOR: NEWAGE HC1634H (SINGLE BEARING)
RADIATOR: BEARWARD SK 5359
AV MOUNTS: SM1657 55&75

OUTPUT: 910 kWe @ 1800 RPM (STANDBY RATING)

WEIGHTS:-
ENGINE: 3150 KG DRY, 3360 KG WET
ALTERNATOR: 2113 KG
RADIATOR: 508 KG DRY, 610 KG WET
BASEFRAME: 838KG
CONTROL PANEL: 35KG
TOTAL: 6950 KG DRY, 7265 KG WET

COLOURS:-
ENGINE:- MAIZE YELLOW
BASEFRAME, ALTERNATOR & RADIATOR:- SEMI GLOSS BLACK



No.	ALTERATIONS	CHK'D	DATE
NOTES - MECHANICAL			
TOLERANCES: GENERAL TOLERANCE + / - 5mm FABRICATION + / - 5mm HOLE CENTRES + / - 1mm OTHER TOLERANCES AS STATED WHERE REQUIRED			
		DO NOT SCALE IF IN DOUBT ASK	
THIRD ANGLE PROJECTION			
TITLE: GENSET GENERAL ARRANGEMENT			
CLIENT: BROADCASTOR LTD.			
SITE: -			
W.O. No.:	-	ENGINEER:	DWM
TYPE:	BCMU910S-60T2	DRAWN BY:	RJW
SCALE:	NTS	DATE:	FEB. '13
TOTAL No. OF SHEETS (1 - 999)			I
DRAWING NO.			ISSUE
BCMU910S-GA01-A1			A
Broadcrown Ltd, Airfield Industrial Estate Hixon, Stafford, Staffs ST18 0PF, England tel: +44 (0) 1889 272200 email: info@broadcrown.co.uk www.broadcrown.com			