

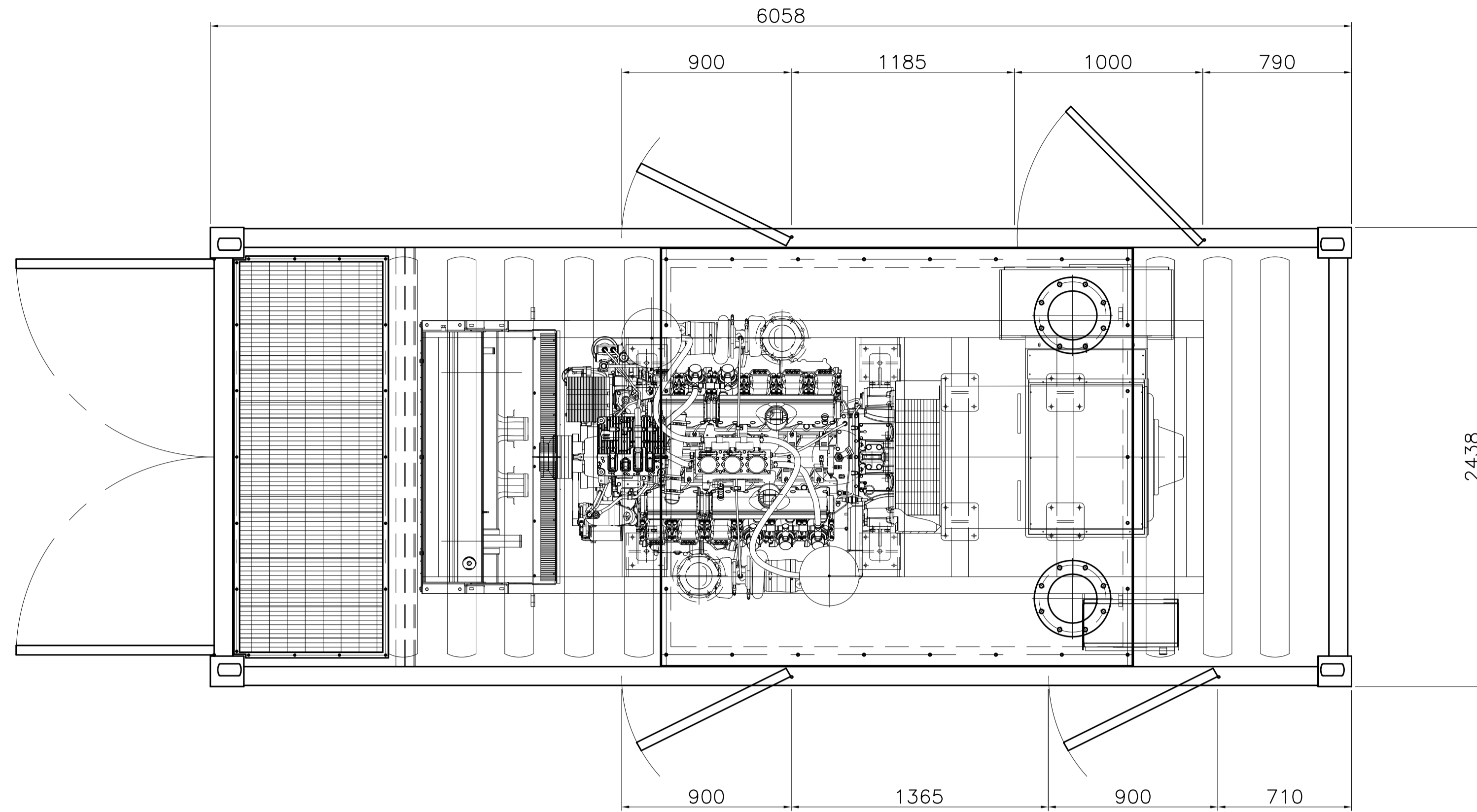
GEN-SET DETAILS:

ENGINE: MTU 12V 2000 SERIES
 ALTERNATOR: NEWAGE HCI 634
 RADIATOR: BEARWARD 5685.....
 OUTPUT: 800kVA - 1000kVA
 (DEPENDANT ON MODEL)

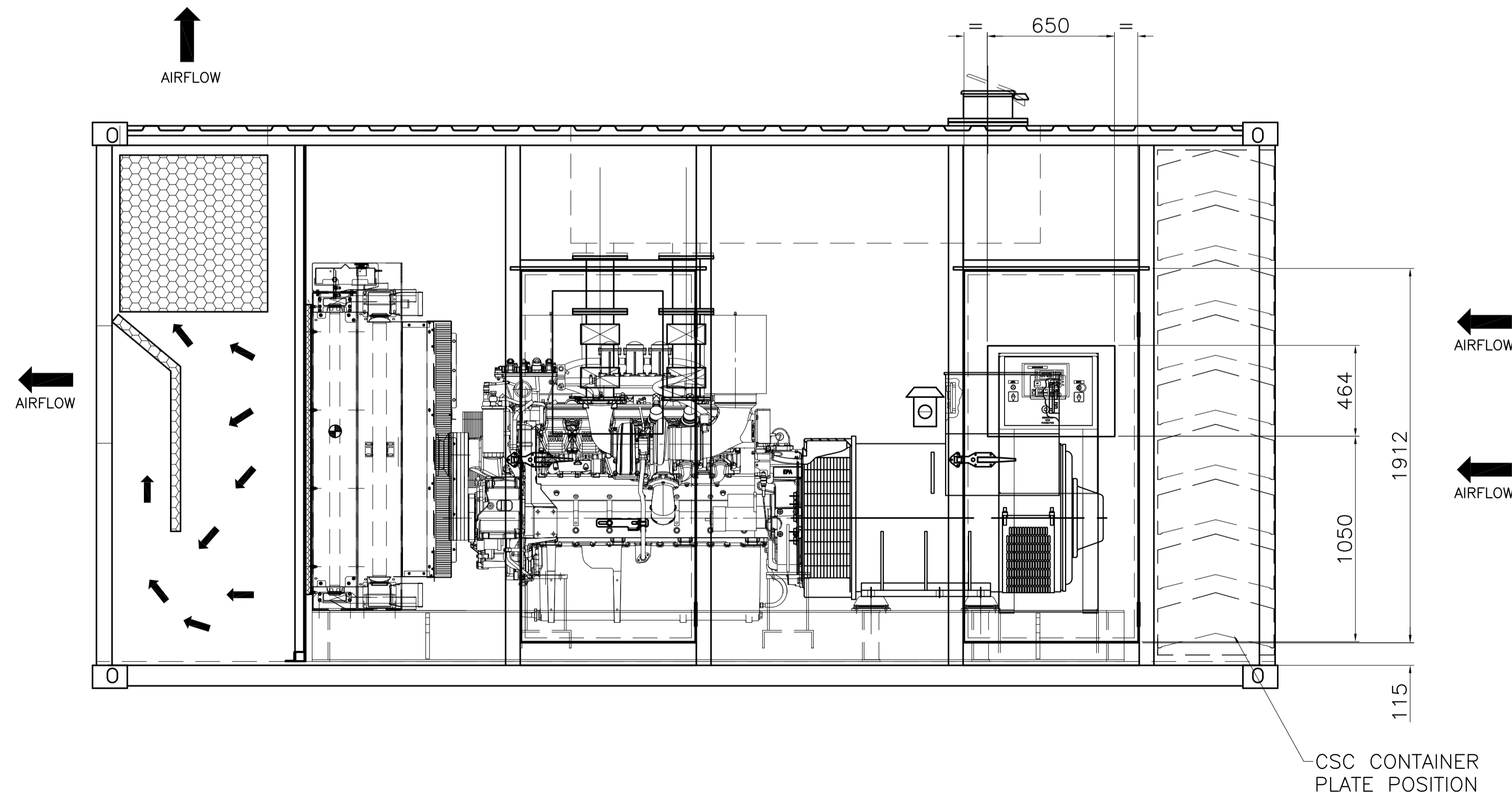
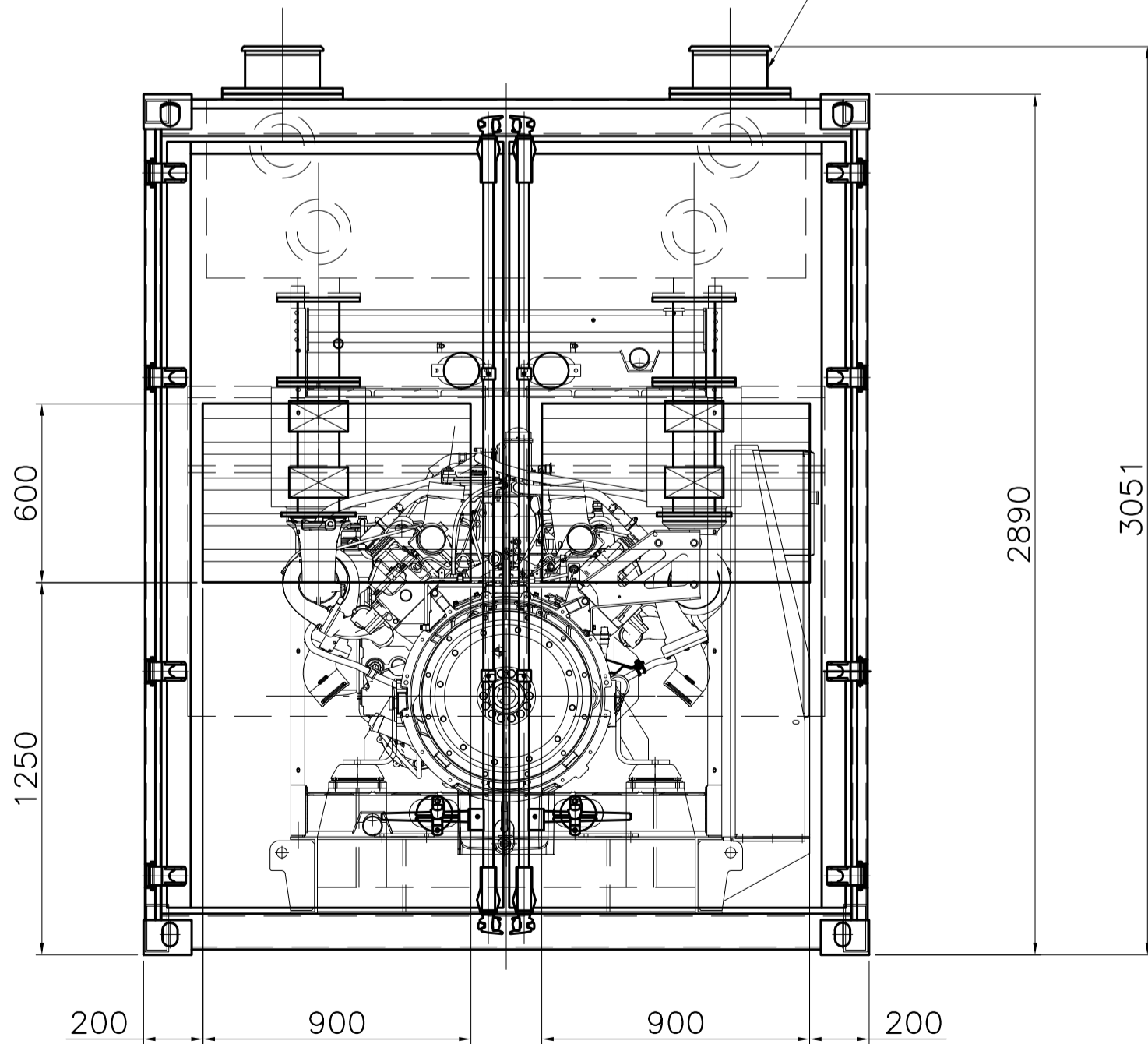
WEIGHTS:-
 ENGINE: 2490kg DRY, 2660kg WET
 ALTERNATOR: 1965kg
 RADIATOR: 410kg DRY, 484kg WET

GENERATOR WEIGHT: 5875kg DRY, 6200kg WET
 CONTAINERISED SET WEIGHT: 8800kg DRY, 9100kg WET
 (DEPENDANT ON MODEL)

NOISE LEVEL - 78dBA MEAN @ 1M ASSUMING FREE FIELD
 CONDITIONS WITH BACKGROUND NOISE NON-CONTRIBUTORY
 AND FOR THE GENSET TO BE RUNNING AT 75% OF THE
 STANDBY RATING.



2 X 250mm NB
 EXHAUST TERMINATION WITH RAIN CAP
 (TO BE REMOVABLE FOR TRANSPORT)



CSC CONTAINER
 PLATE POSITION

No.	ALTERATIONS	CHK'D	DATE

NOTES - MECHANICAL

TOLERANCES:
 GENERAL TOLERANCE + / - 5mm
 FABRICATION + / - 3mm
 HOLE CENTRES + / - 1mm
 OTHER TOLERANCES AS STATED
 WHERE REQUIRED

DO NOT SCALE
 IF IN DOUBT ASK
 THIRD ANGLE PROJECTION

TITLE: GENSET CONTAINER ARRANGEMENT	
CLIENT: BROADCROWN LTD.	
SITE: -	
W.O. No.: -	ENGINEER: DWM
TYPE: BCMU800	DRAWN BY: RJW
SCALE: NTS	DATE: MAY, '10

TOTAL No. OF SHEETS (1 - 999)	1
DRAWING NO.	ISSUE
BCMU700S-ACO2	A

broadcrown
 Broadcrown Limited (Group Headquarters)
 Airfield Industrial Estate, Hixon, Stafford,
 ST18 0PF, United Kingdom.
 tel: +44 (0) 1889 272200
 www.broadcrown.com