

GENSET DETAILS.

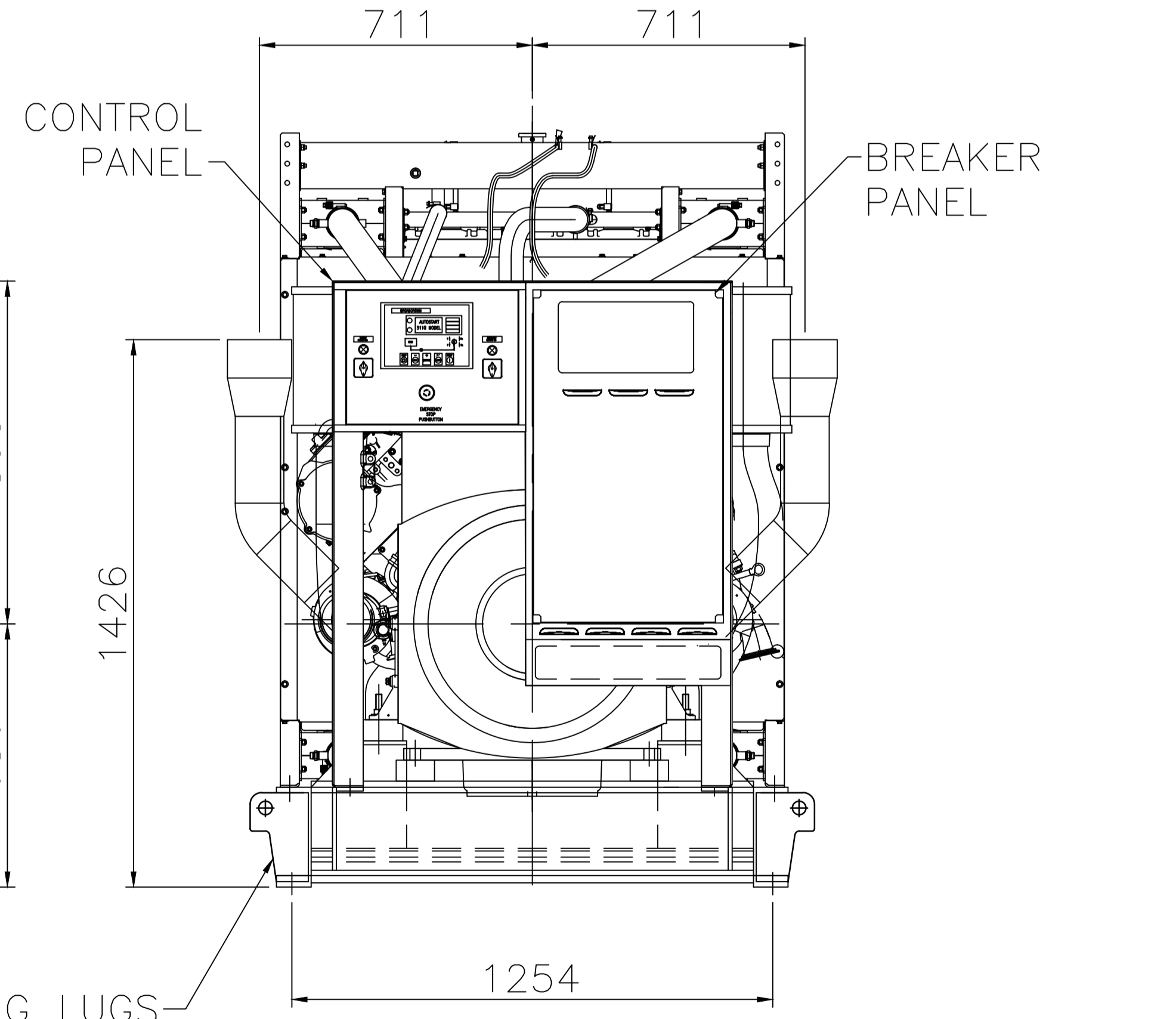
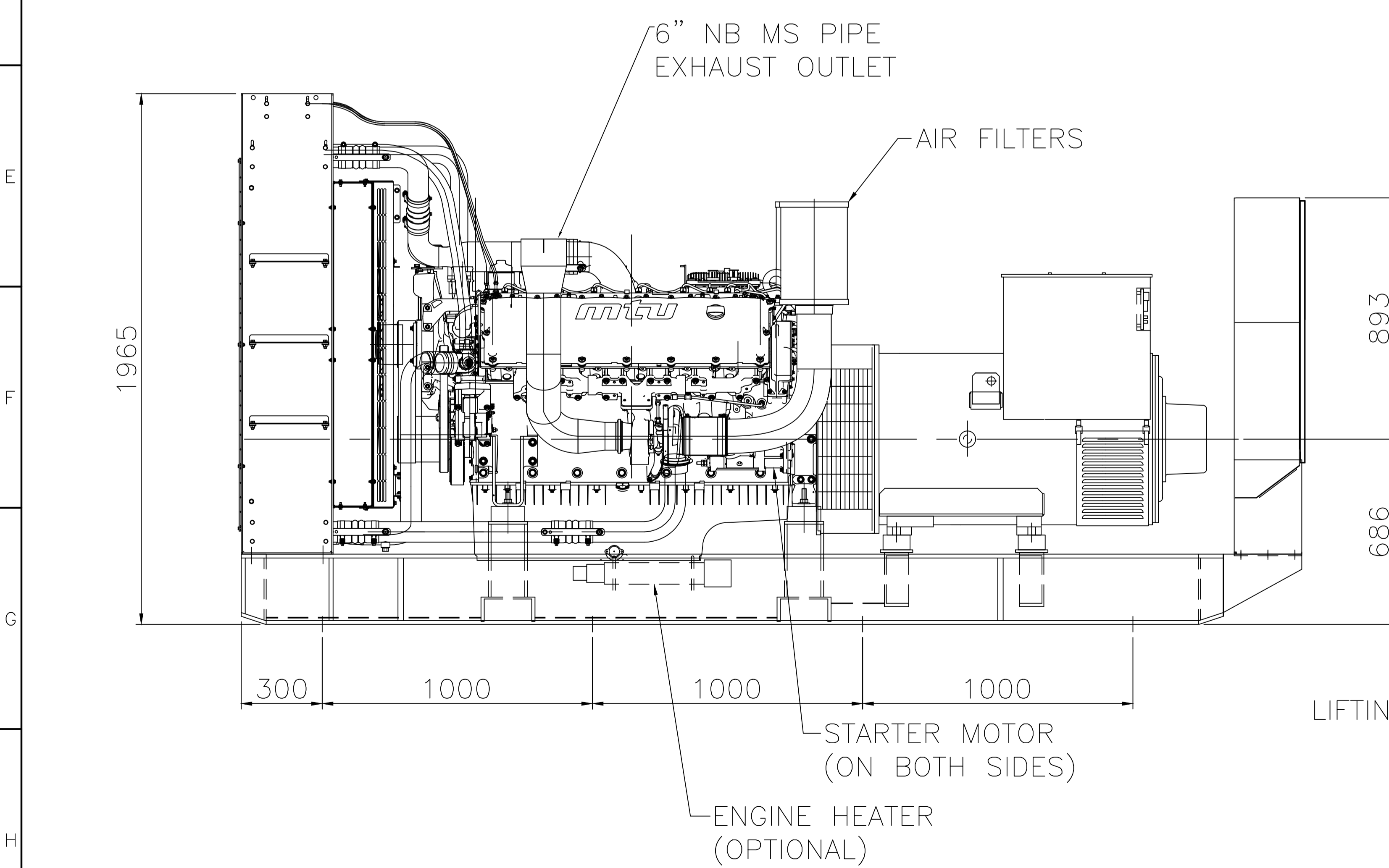
ENGINE – MTU 12V 1600 G20
 ALTERNATOR – NEWAGE HCI534F
 RADIATOR – BEARWARD (MTU SUPPLY)

OUTPUT: 550 kW_e @ 1800 RPM (STANDBY RATING)

WEIGHTS:
 ENGINE – 1855 KG DRY, 1918 KG WET.
 ALTERNATOR – 1685 KG.
 RADIATOR – 367 KG DRY, 400 KG WET.

TOTAL WEIGHT – 3925 KG DRY, 4170 KG WET.

FINISH COLOUR:
 ENGINE – MAIZE YELLOW
 ALTERNATOR AND BASEFRAME – SEMI GLOSS BLACK.



No.	ALTERATIONS	CHK'D	DATE
NOTES – MECHANICAL			
TOLERANCES: GENERAL TOLERANCE + / - 5MM FABRICATION + / - 3MM HOLE CENTRES + / - 1MM OTHER TOLERANCES AS STATED WHERE REQUIRED			
		DO NOT SCALE IF IN DOUBT ASK	
THIRD ANGLE PROJECTION			
TITLE: GENSET GENERAL ARRANGEMENT			
CLIENT: BROADCASTCROWN LTD.			
SITE: -			
W.O. No.:	-	ENGINEER:	DWM
TYPE:	BCMU600S-60T2	DRAWN BY:	RJW
SCALE:	NTS	DATE:	FEB. '13
TOTAL No. OF SHEETS (1 - 999)			I
DRAWING NO.			ISSUE
BCMU600S-GA01-A1			A
 Broadcrown Ltd. , Airfield Industrial Estate Hixon, Stafford, Staffs ST18 0PF, England tel: +44 (0) 1889 272200 email: info@broadcrown.co.uk www.broadcrown.com			