

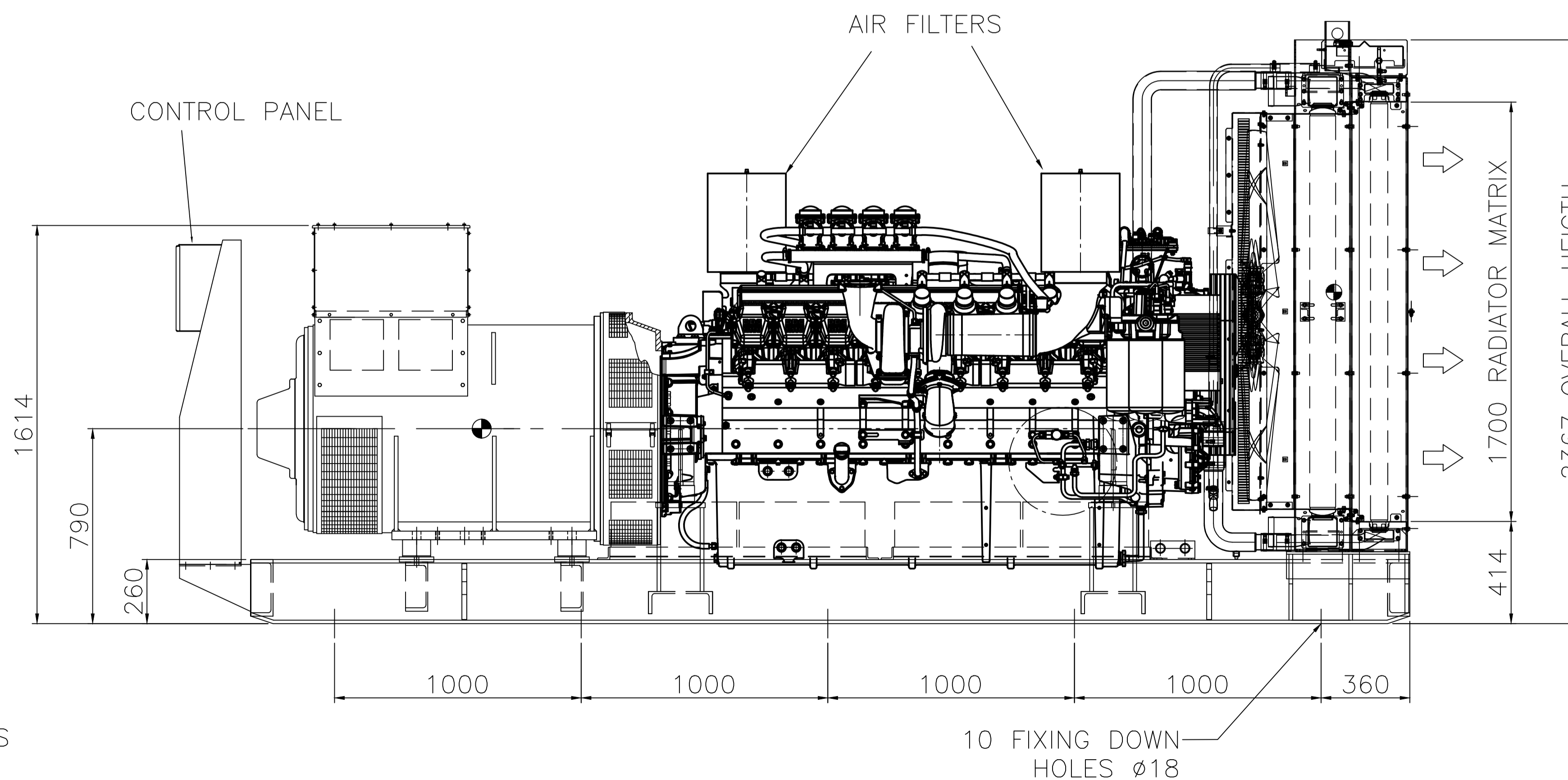
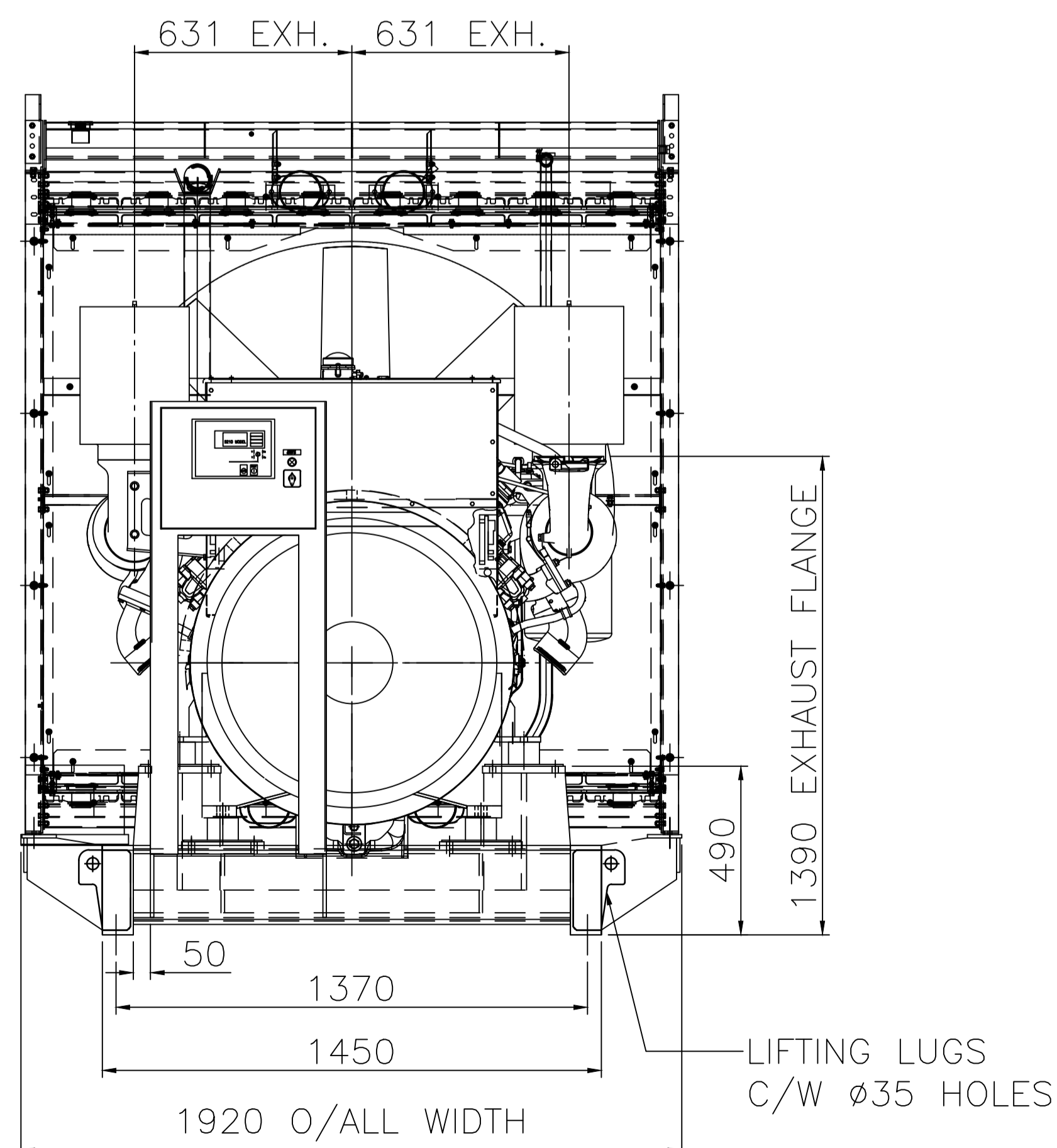
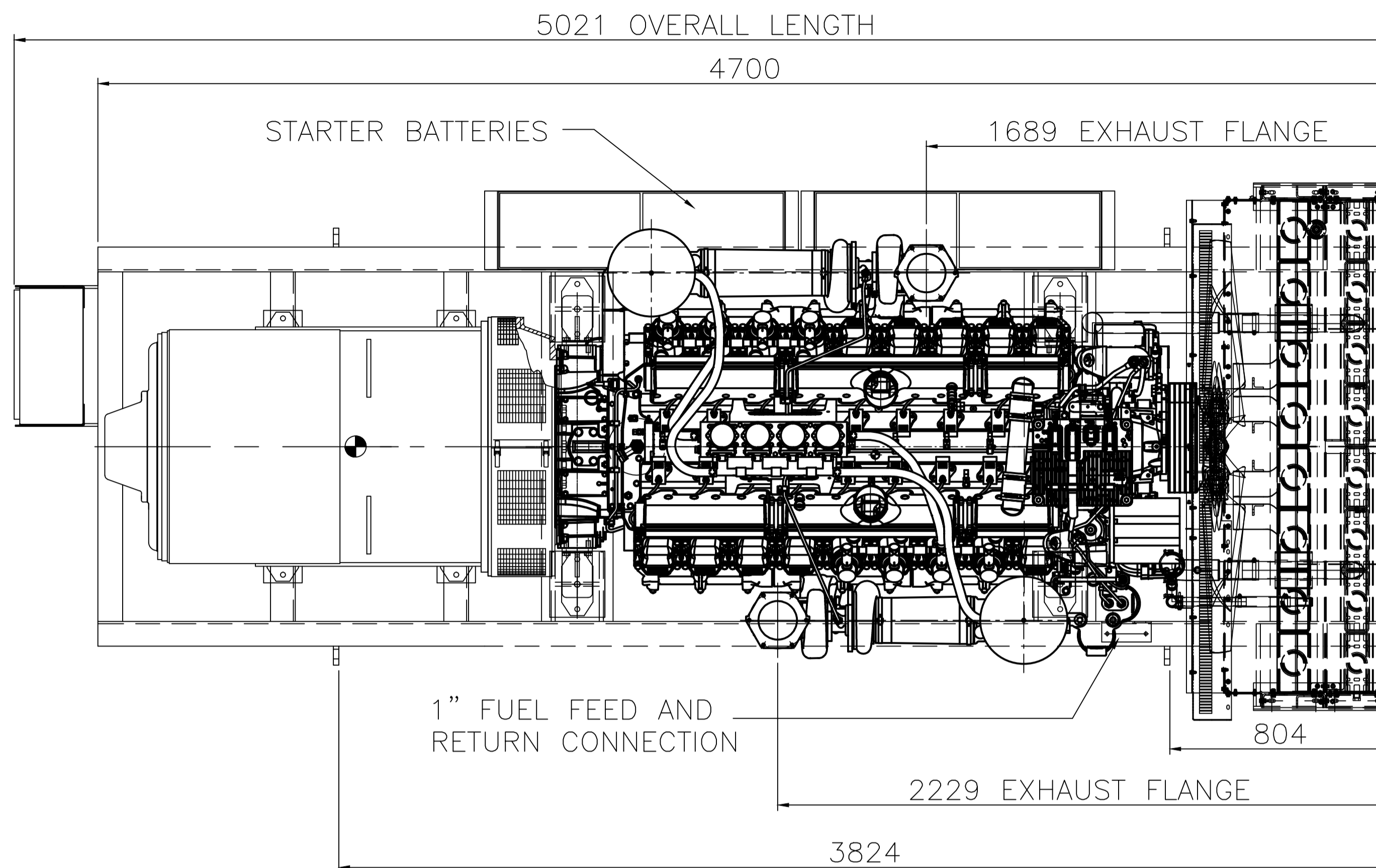
GENSET DETAILS-

ENGINE: MTU 18V 2000 G85  
 ALTERNATOR: NEWAGE PI 734A (SINGLE BEARING)  
 RADIATOR: BEARWARD 5685200001  
 AV MOUNTS: SM1657 55&75

OUTPUT: 1200 kWe @ 1800 RPM (STANDBY RATING)

WEIGHTS:-  
 ENGINE: 3500 KG DRY, 3700 KG WET  
 ALTERNATOR: 2760 KG  
 RADIATOR: 508 KG DRY, 610 KG WET  
 BASEFRAME: 890KG  
 CONTROL PANEL: 35KG  
 TOTAL: 8008 KG DRY, 8310 KG WET

COLOURS:-  
 ENGINE:- MAIZE YELLOW  
 BASEFRAME, ALTERNATOR & RADIATOR:-  
 SEMI GLOSS BLACK



No. ALTERATIONS CHK'D DATE

NOTES - MECHANICAL

TOLERANCES:  
 GENERAL TOLERANCE + / - 5MM  
 FABRICATION + / - 5MM  
 HOLE CENTRES + / - 1MM  
 OTHER TOLERANCES AS STATED  
 WHERE REQUIRED

DO NOT SCALE  
 IF IN DOUBT ASK  
 THIRD ANGLE PROJECTION

TITLE: GENSET GENERAL ARRANGEMENT

CLIENT: BROADCASTON LTD.

SITE: -

W.O. No.: - ENGINEER: DWM

TYPE: BCMUI200S-60T2 DRAWN BY: RJW

SCALE: NTS DATE: FEB. '13

TOTAL No. OF SHEETS (1 - 999)

DRAWING NO. ISSUE

BCMUI200S-GA01-A1 A

**broadcrown**  
 Broadcrown Ltd, Airfield Industrial Estate  
 Hixon, Stafford, Staffs ST18 0PF, England  
 tel: +44 (0) 1889 272200  
 email: info@broadcrown.co.uk  
 www.broadcrown.com