

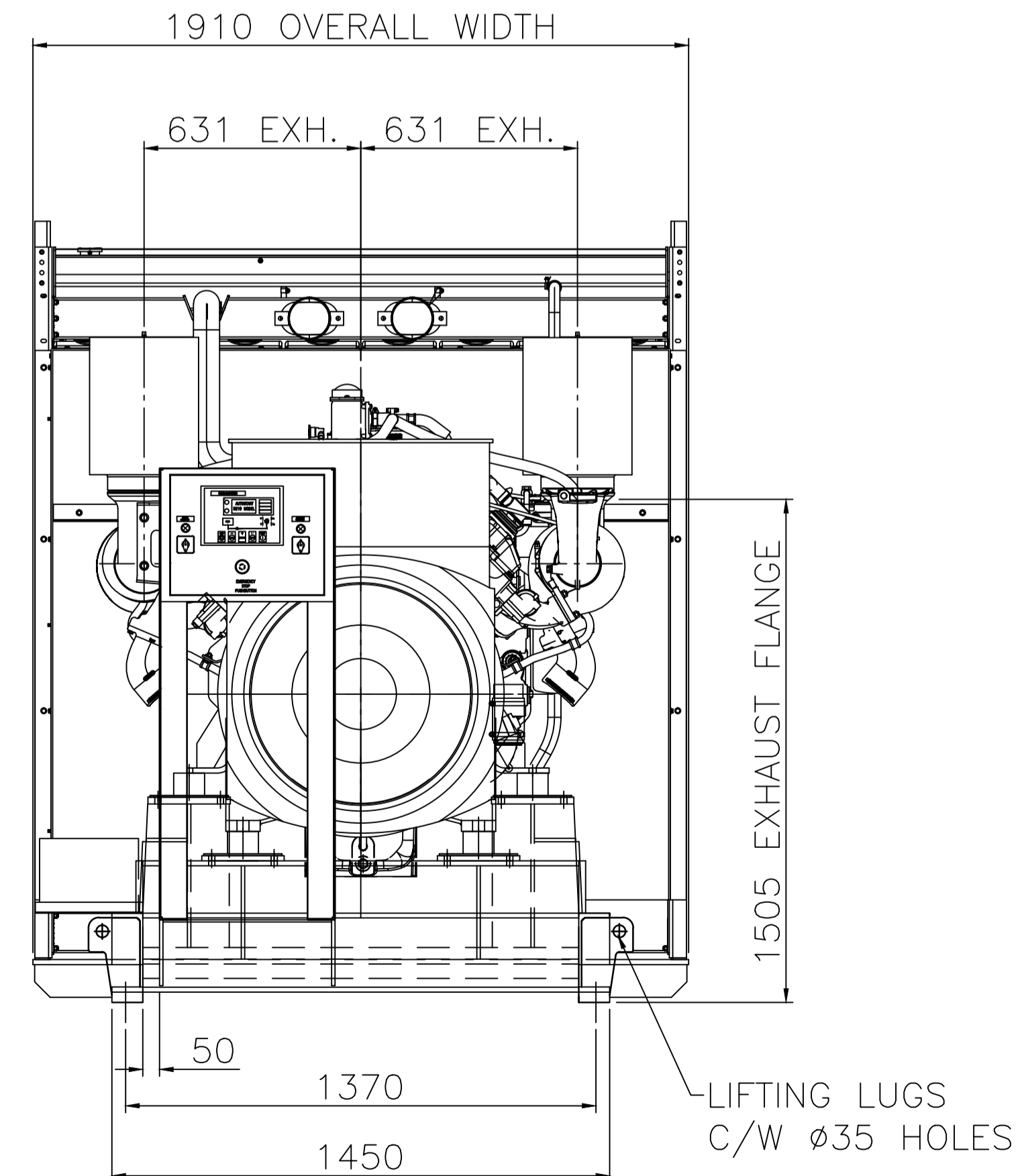
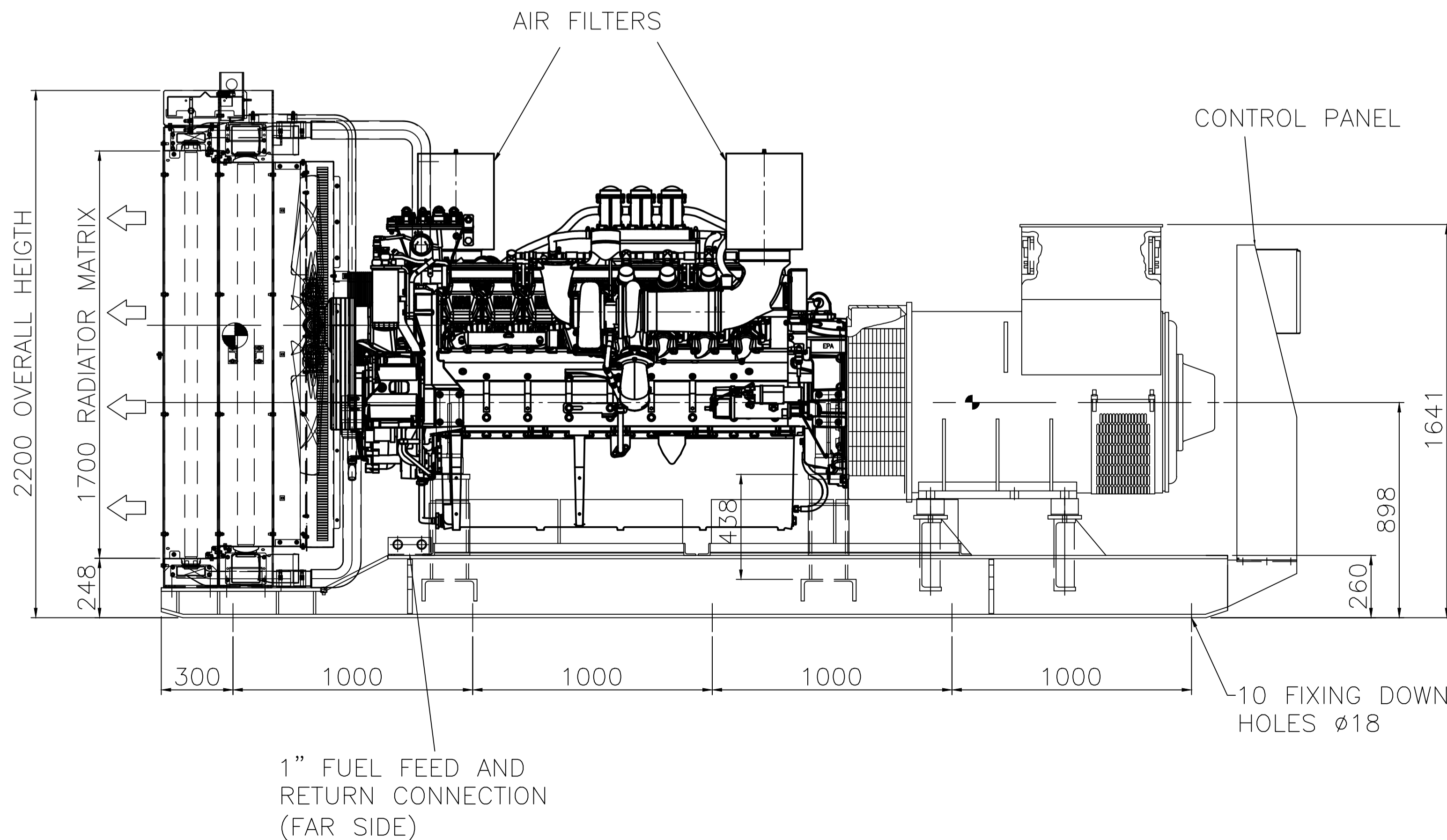
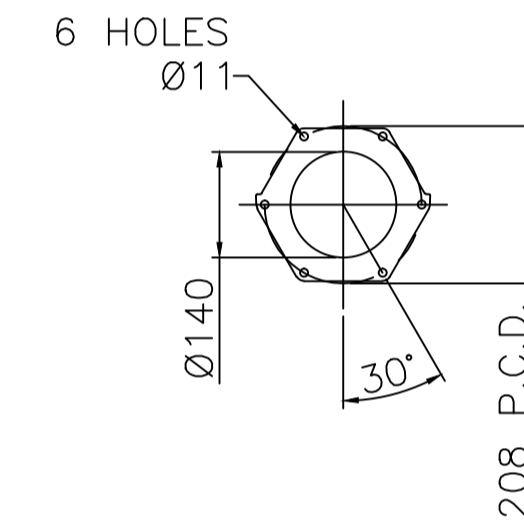
GENSET DETAILS-

ENGINE: MTU 16V 2000 G85  
ALTERNATOR: NEWAGE HC1634J  
(SINGLE BEARING)  
RADIATOR: BEARWARD SK 5359  
AV MOUNTS: SM1657 55&75  
OUTPUT: 1250 kVA @ 1800 RPM  
(STANDBY RATING)

WEIGHTS:-  
ENGINE: 3150 KG DRY, 3360 KG WET  
ALTERNATOR: 2279 KG  
RADIATOR: 508 KG DRY, 610 KG WET  
BASEFRAME: 838KG  
CONTROL PANEL: 35KG  
TOTAL: 7116 KG DRY, 7427 KG WET

COLOURS:-  
ENGINE:- MAIZE YELLOW  
BASEFRAME, ALTERNATOR & RADIATOR:-  
SEMI GLOSS BLACK

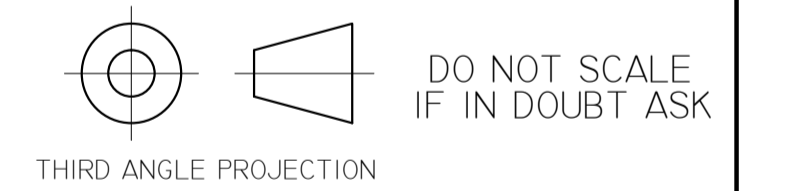
EXHAUST OUTLET DETAIL  
SCALE: 1:10



No. ALTERATIONS CHK'D/DATE

NOTES - MECHANICAL

TOLERANCES:  
GENERAL TOLERANCE + / - 5MM  
FABRICATION + / - 3MM  
HOLE CENTRES + / - 1MM  
OTHER TOLERANCES AS STATED  
WHERE REQUIRED



TITLE: GEN-SET GENERAL ARRANGEMENT

CLIENT: BROADCASTON INC.

SITE: BROADCASTON INC.

W.O. No.: ENGINEER: RJW

TYPE: BCMUI000S-60T2 DRAWN BY: RJW

SCALE: NTS DATE: MAR. '10

TOTAL NO. OF SHEETS (1 - 999) I

DRAWING NO. ISSUE

BCMUI 1000S-60 T2 A

**broadcrown**  
Broadcrown Limited (Group Headquarters)  
Airfield Industrial Estate, Hixon, Stafford,  
ST18 0PF, United Kingdom  
Tel: +44 (0) 1889 272200  
Fax: +44 (0) 1889 272220  
www.broadcrown.com

