

## LSA 44.3

### Low Voltage Alternators - 4 pole

Installation and maintenance

Three-phase 12-wire

Dedicated single-phase 4-wire

**LEROY-SOMER**™

**Nidec**  
All for dreams

# LSA 44.3

## Low Voltage Alternators - 4 pole

**This manual concerns the alternator which you have just purchased. We wish to draw your attention to the contents of this maintenance manual.**

### SAFETY MEASURES

Before using your machine for the first time, it is important to read the whole of this installation and maintenance manual.

All necessary operations and interventions on this machine must be performed by a qualified technician.

Our technical support service will be pleased to provide any additional information you may require.

The various operations described in this manual are accompanied by recommendations or symbols to alert the user to potential risks of accidents. It is vital that you understand and take notice of the following warning symbols.

#### WARNING

**Warning symbol for an operation capable of damaging or destroying the machine or surrounding equipment.**



**Warning symbol for general danger to personnel.**



**Warning symbol for electrical danger to personnel.**

### SAFETY INSTRUCTIONS

We wish to draw your attention to the following 2 safety measures which must be complied with:

**a) During operation, do not allow anyone to stand in front of the air outlet guards, in case anything is ejected from them.**

**b) Do not allow children younger than 14 to go near the air outlet guards.**

A set of self-adhesive stickers depicting the various warning symbols is included with this maintenance manual. They should be positioned as shown in the drawing below once the machine has been fully installed.

### WARNING

**The alternators must not be put into service until the machines in which they are to be incorporated have been declared compliant with Directives EC and plus any other directives that may be applicable.**

**This manual is to be given to the end user.**

**The range of electric alternators and their derivatives, manufactured by us or on our behalf, comply with the technical requirements of the customs Union directives (EAC).**

© - We reserve the right to modify the characteristics of this product at any time in order to incorporate the latest technological developments. The information contained in this document may therefore be changed without notice.

This document may not be reproduced in any form without prior authorisation. All brands and models have been registered and patents applied for.

# LSA 44.3

## Low Voltage Alternators - 4 pole

### CONTENTS

<b>1 - RECEIPT .....</b>	<b>4</b>
1.1 - Standards and safety measures .....	4
1.2 - Inspection .....	4
1.3 - Identification .....	4
1.4 - Storage .....	4
1.5 - Applications .....	4
1.6 - Usage restrictions .....	4
<b>2 - TECHNICAL CHARACTERISTICS .....</b>	<b>5</b>
2.1 - Electrical characteristics .....	5
2.2 - Mechanical characteristics .....	5
<b>3 - INSTALLATION .....</b>	<b>7</b>
3.1 - Assembly .....	7
3.2 - Checks prior to first use .....	8
3.3 - Terminal connection diagrams .....	8
3.4 - Commissioning .....	11
3.5 - Setting up .....	11
<b>4 - SERVICING - MAINTENANCE .....</b>	<b>12</b>
4.1 - Safety measures .....	12
4.2 - Routine maintenance .....	12
4.3 - Bearings .....	13
4.4 - Mechanical defects .....	13
4.5 - Electrical faults .....	14
4.6 - Dismantling, reassembly .....	16
4.7 - Installation & maintenance of the PMG .....	18
4.8 - Table of characteristics .....	18
<b>5 - SPARE PARTS .....</b>	<b>20</b>
5.1 - First maintenance parts .....	20
5.2 - Technical support service .....	20
5.3 - Accessories .....	20
5.4 - Exploded views, parts list and tightening torque .....	21

**Disposal and recycling instructions**

**Declaration of EC compliance and incorporation**

# LSA 44.3

## Low Voltage Alternators - 4 pole

### 1 - RECEIPT

#### 1.1 - Standards and safety measures

Our alternators comply with most international standards.

See the EC Declaration of Incorporation on the last page.

#### 1.2 - Inspection

On receipt of your alternator, check that it has not suffered any damage in transit. If there are obvious signs of knocks, contact the transporter (you may be able to claim on their insurance) and after a visual check, turn the machine by hand to detect any malfunction.

#### 1.3 - Identification

The alternator is identified by means of a nameplate fixed on the machine (see drawing).

Make sure that the nameplate on the machine conforms to your order.

So that you can identify your alternator quickly and accurately, we suggest you fill in its specifications on the nameplate below.

#### 1.4 - Storage

Prior to commissioning, machines should be stored :

- away from humidity (< 90%); after a long period of storage, check the machine insulation. To prevent the bearings from becoming marked, do not store in an environment with significant vibration.

#### 1.5 - Application

These alternators are mainly designed to produce electricity in the context of applications involving the use of generators.

#### 1.6 - Usage restrictions

Use of the machine is restricted to operating conditions (environment, speed, voltage, power, etc) compatible with the characteristics indicated on the nameplate.

## Leroy-Somer

LSA		IP	
N°:		Date :	
r.p.m.	Hz	Weight : kg	
P.F. :	Th.class.	Altitude : m	
A.V.R.		Excit.	
Excit. values	full load : V / A		
	at no load : A		
D.E. bearing			
N.D.E. bearing			



IEC 60034 - 1 & 5. / ISO 8528 - 3. / NEMA MG1 - 32 & 33.

RATINGS			
Voltage			V
Phase			
Conn.			
Contin.			kVA
B.R.			kW
40°C.			A
Std by			kVA
P.R.			kW
27°C.			A
Made in .....			

LSA.000-1-006.e

Moteurs Leroy-Somer - Boulevard Marcellin Leroy,  
CS 10015 - 16915 Angoulême Cedex 9 - France

# LSA 44.3

## Low Voltage Alternators - 4 pole

### 2 - TECHNICAL CHARACTERISTICS

#### 2.1 - Electrical characteristics

This alternator is a machine without sliprings or revolving armature brushes, wound as "2/3 pitch", 4 or 12-wire, with class H insulation and a field excitation system available in either SHUNT, AREP or PMG version (see diagrams and AVR manuals).

##### • Electrical options

- Stator temperature detection sensors
- Space heater

In order to conform to standard EN 61000-6-3, EN 61000-6-2, EN 55011, the R 791 interference suppression kit is needed.

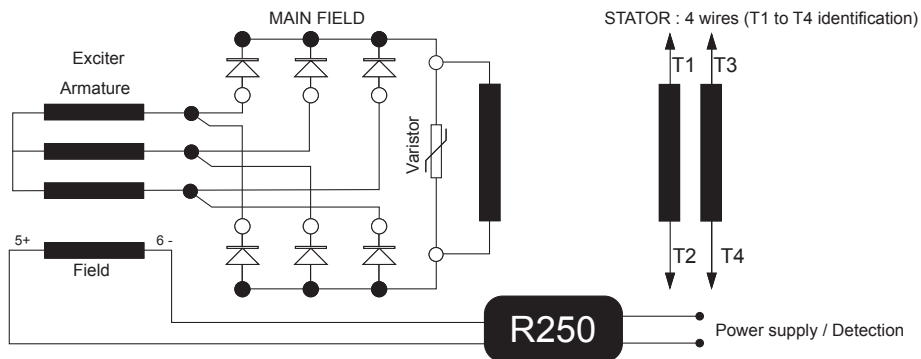
#### 2.2 - Mechanical characteristics

- Steel frame
- Cast iron end shields
- Protected ball bearings, greased for life
- Mounting arrangements: foot and flange mounted, single-bearing with SAE coupling disc, double-bearing with SAE flange and standard cylindrical shaft extension
- Drip-proof machine, self-cooled
- Degree of protection: IP 23

##### • Mechanical options

- Air inlet filter
- IP 44 protection

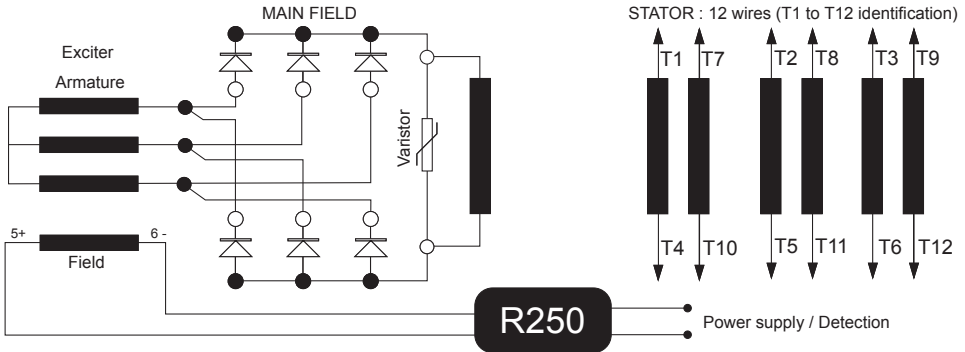
#### • SHUNT dedicated single-phase 4-wire



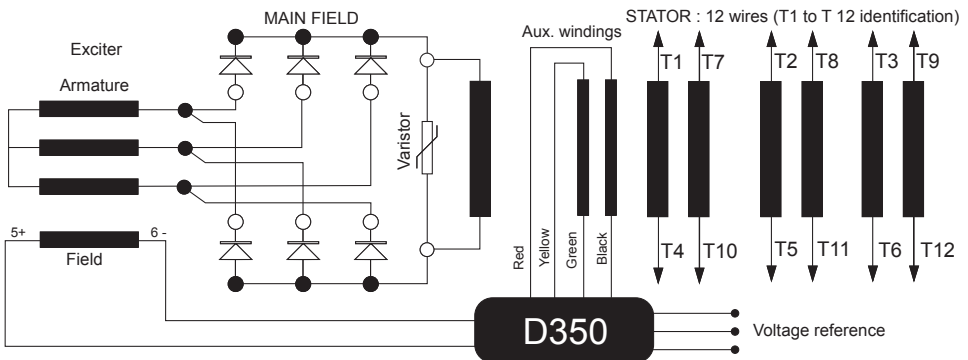
# LSA 44.3

## Low Voltage Alternators - 4 pole

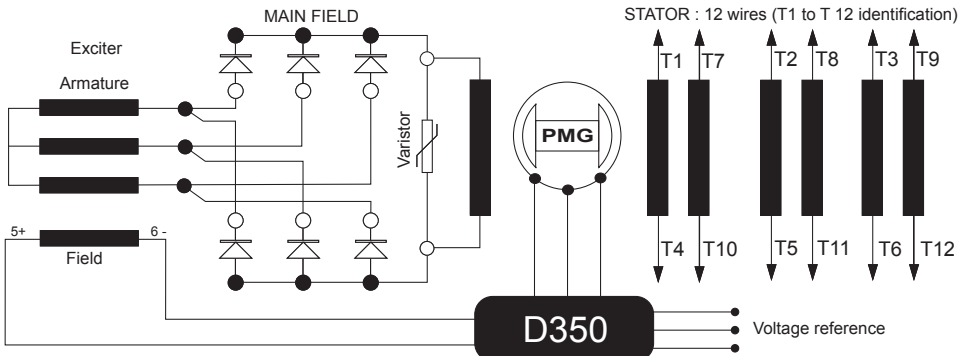
### • SHUNT three-phase 12-wire



### • AREP three-phase 12-wire



### • PMG three-phase 12-wire



# LSA 44.3

## Low Voltage Alternators - 4 pole

### 3 - INSTALLATION

Personnel undertaking the various operations indicated in this section must wear personal protective equipment appropriate for mechanical and electrical hazards.

#### 3.1 - Assembly

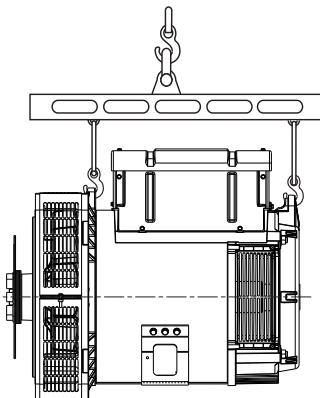


All mechanical handling operations must be undertaken using suitable equipment and the machine must be horizontal. Check how much the machine weighs before choosing the lifting tool. During this operation, do not allow anyone to stand under the load.

##### • Handling

The generously-sized lifting eyes are for handling the alternator only. They must not be used to lift the genset. The choice of lifting hooks or handles should be determined by the shape of the lifting eyes. Choose a lifting system which respects the integrity and the environment of the machine.

During this operation, do not allow anyone to stand under the load.



##### • Single-bearing coupling

Before coupling, check the compatibility between the alternator and the engine by performing:

- undertaking a torsional analysis of the transmission (alternators data are available on request),
- checking the dimensions of the flywheel and its housing, the flange, coupling discs and offset.

#### WARNING

When coupling the alternator to the prime mover, do not use the fan to turn the alternator or rotor.

The holes of the coupling discs should be aligned with the flywheel holes by cranking the engine.

Make sure the machine is securely bedded in position during coupling.

Check that there is lateral play on the crankshaft.

##### • Double-bearing coupling

- Semi-flexible coupling

Careful alignment of the machines is recommended, checking that the lack of concentricity and parallelism of both parts of the coupling do not exceed 0.1 mm.

**This alternator has been balanced with a 1/2 key.**

##### • Location

The room where the alternator is placed must be ventilated to ensure that the ambient temperature cannot exceed the data on the nameplate.

## LSA 44.3

### Low Voltage Alternators - 4 pole

#### 3.2 - Checks prior to first use

##### • Electrical checks



Under no circumstances should an alternator, new or otherwise, be operated if the insulation is less than 1 megohm for the stator and 100,000 ohms for the other windings.

There are 2 possible methods for restoring the above minimum values.

- a) Dry out the machine for 24 hours in a drying oven at a temperature of 110 °C (without the regulator).
- b) Blow hot air into the air intake, having made sure that the machine is rotating with the exciter field disconnected.

##### **Note : Prolonged standstill**

In order to avoid these problems, we recommend the use of space heaters, as well as turning over the machine from time to time. Space heaters are only really effective if they are working continuously while the machine is stopped.

**WARNING**

Ensure that the alternator has the degree of protection matching the defined environmental conditions.

##### • Mechanical checks

Before starting the machine for the first time, check that:

- all fixing bolts are tight,
- the length of bolt and the tightening torque are correct,
- the cooling air is drawn in freely,
- the protective grills and housing are correctly in place,
- the standard direction of rotation is clockwise as seen from the drive end (phase rotation in order 1 - 2 - 3).

For anti-clockwise rotation, swap 2 and 3.

- the winding connection corresponds to the site operating voltage (see section 3.3).

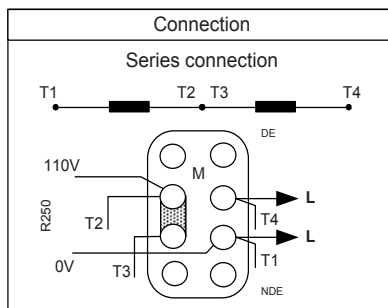
#### 3.3 - Terminal connection diagrams

To modify the connection, change the position of the stator cables on the terminals. The winding code is specified on the nameplate.



Any intervention on the alternator terminals during reconnection or checks should be performed with the machine stopped. In no case should the internal connections in the terminal box be subjected to stresses due to cables connected by the user.

##### • SHUNT dedicated single-phase 4-wire

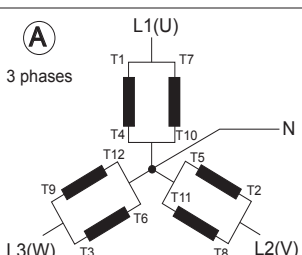
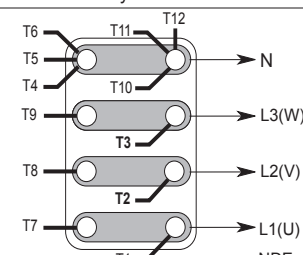
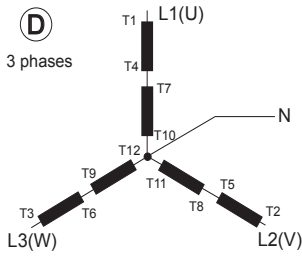
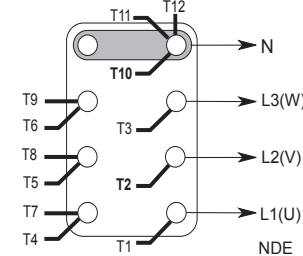
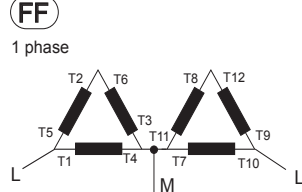
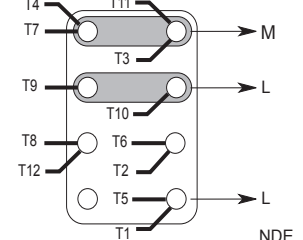
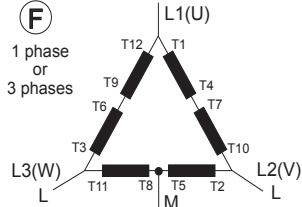
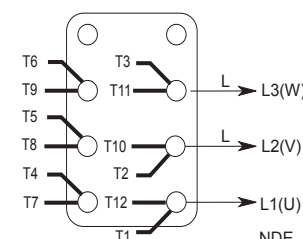




# LSA 44.3

## Low Voltage Alternators - 4 pole

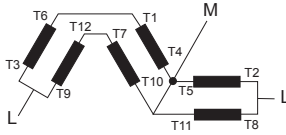
### • SHUNT, AREP or PMG three-phase 12-wire

Connection codes	L.L. voltage			Factory connection
<b>(A)</b> 3 phases 	Winding	50 Hz	60 Hz	
	<b>6</b>	190 - 208	190 - 240	
	<b>7</b>	220 - 230	-	
	<b>8</b>	-	190 - 208	
R250 voltage sensing: 0 => (T8) / 110 V => (T11) D350 voltage sensing: U => T1 / V => T2 / W => T3				
<b>(D)</b> 3 phases 	Winding	50 Hz	60 Hz	
	<b>6</b>	380 - 415	380 - 480	
	<b>7</b>	440 - 460	-	
	<b>8</b>	-	380 - 416	
R250 voltage sensing: 0 => (T8) / 110 V => (T11) D350 voltage sensing: U => T1 / V => T2 / W => T3				
<b>(FF)</b> 1 phase  <p style="font-size: small;">LM voltage = 1/2 LL voltage</p>	Winding	50 Hz	60 Hz	
	<b>6</b>	220 - 240	220 - 240	
	<b>7</b>	250 - 260	-	
	<b>8</b>	200	220 - 240	
R250 voltage sensing: 0 => (T1) / 110 V => (T4) D350 voltage sensing: V => T1 / W => T10				
<b>(F)</b> 1 phase or 3 phases  <p style="font-size: small;">LM voltage = 1/2 LL voltage</p>	Winding	50 Hz	60 Hz	
	<b>6</b>	220 - 240	220 - 240	
	<b>7</b>	250 - 260	-	
	<b>8</b>	200	220 - 240	
R250 voltage sensing: 0 => (T8) / 110 V => (T11) D350 voltage sensing: U => T1 / V => T2 / W => T3				

# LSA 44.3

## Low Voltage Alternators - 4 pole

### • SHUNT, AREP or PMG three-phase 12-wire

Connection codes	L.L. voltage		Factory connection
	Winding	50 Hz	
<b>Ⓒ</b> 1 phase  LM voltage = 1/2 LL voltage	<b>6</b>	220 - 240	220 - 240
	<b>7</b>	250 - 260	-
	<b>8</b>	200	220 - 240

R250 voltage sensing:  
0 => (T8) / 110 V => (T11)  
D350 voltage sensing:  
V => T2 / W => T3

**SINGLE-PHASE 4-WIRE - type M or M1 DEDICATED WINDING**

Voltage 50/60Hz	Output				
	L - L	L - M	Link	L	L
220	110	T2 - T3	T1	T4	T2 - T3
230	115				
240	120				

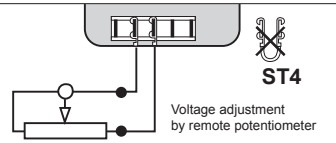
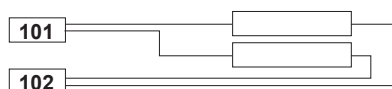
R250 voltage sensing: 0 => (T1) / 110 V => (T2)

**⚡ Warning: parallel connection not possible.**



When coupling alternators in parallel with connected neutral, it may be necessary to use a reactance (please contact us).  
Tightening torque of terminal (M10 / 20 Nm +/-3).

### • Option connection diagram

<b>R 791 T interference suppression kit</b> (standard for CE marking) <table border="1"> <thead> <tr> <th></th> <th>(A)</th> <th>(D)</th> <th>(F)</th> <th>(B)</th> <th>(F/F)</th> <th>(G)</th> </tr> </thead> <tbody> <tr> <td>Black</td> <td>T1</td> <td>T1</td> <td>T1</td> <td>T1</td> <td>T9</td> <td>T3</td> </tr> <tr> <td>Black</td> <td>T2</td> <td>T2</td> <td>T2</td> <td>T2</td> <td>NC</td> <td>NC</td> </tr> <tr> <td>Black</td> <td>T3</td> <td>T3</td> <td>T3</td> <td>T3</td> <td>NC</td> <td>NC</td> </tr> <tr> <td>Blue</td> <td>N</td> <td>N</td> <td>⊥</td> <td>⊥</td> <td>⊥</td> <td>⊥</td> </tr> <tr> <td>Green/Yellow</td> <td>⊥</td> <td>⊥</td> <td>⊥</td> <td>⊥</td> <td>⊥</td> <td>⊥</td> </tr> </tbody> </table>		(A)	(D)	(F)	(B)	(F/F)	(G)	Black	T1	T1	T1	T1	T9	T3	Black	T2	T2	T2	T2	NC	NC	Black	T3	T3	T3	T3	NC	NC	Blue	N	N	⊥	⊥	⊥	⊥	Green/Yellow	⊥	⊥	⊥	⊥	⊥	⊥	<b>Voltage potentiometer</b>  <b>ST4</b> Voltage adjustment by remote potentiometer
	(A)	(D)	(F)	(B)	(F/F)	(G)																																					
Black	T1	T1	T1	T1	T9	T3																																					
Black	T2	T2	T2	T2	NC	NC																																					
Black	T3	T3	T3	T3	NC	NC																																					
Blue	N	N	⊥	⊥	⊥	⊥																																					
Green/Yellow	⊥	⊥	⊥	⊥	⊥	⊥																																					
<b>Anti condensation heater</b> 	<b>Thermistor (PTC) temperature</b> <table border="1"> <tbody> <tr> <td><b>103</b></td> <td>Ph1</td> <td>130°C Blue wire</td> </tr> <tr> <td></td> <td>Ph2</td> <td>150°C Black wire</td> </tr> <tr> <td><b>104</b></td> <td>Ph3</td> <td>180°C Red/white wire</td> </tr> </tbody> </table>	<b>103</b>	Ph1	130°C Blue wire		Ph2	150°C Black wire	<b>104</b>	Ph3	180°C Red/white wire																																	
<b>103</b>	Ph1	130°C Blue wire																																									
	Ph2	150°C Black wire																																									
<b>104</b>	Ph3	180°C Red/white wire																																									

## LSA 44.3

### Low Voltage Alternators - 4 pole

#### • Connection checks



**Electrical installations must comply with the current legislation in force in the country of use.**

Check that:

- The residual circuit-breaker conforms to legislation on protection of personnel, in force in the country of use, and has been correctly installed on the alternator power output as close as possible to the alternator. (In this case, disconnect the wire of the interference suppression module linking the neutral).
- Any protection devices in place have not been tripped.
- If there is an external AVR, the connections between the alternator and the cabinet are made in accordance with the connection diagram.
- There is no short-circuit phase-phase or phase-neutral between the alternator output terminals and the generator set control cabinet (part of the circuit not protected by circuitbreakers or relays in the cabinet).
- The machine should be connected with the busbar separating the terminals as shown in the terminal connection diagram.



- The alternator earth terminal inside the terminal box is connected to the electrical earth circuit
  - The earth terminal is connected to the frame.
- The connections inside the terminal box must never be subjected to stress due to cables connected by the user.



Diameter	M6	M8	M10	M12
Torque	4 Nm	10 Nm	20 Nm	35 Nm
Tolerance	± 15%			

#### 3.4 - Commissioning



**The machine can only be started up and used if the installation is in accordance with the regulations and instructions defined in this manual.**

The machine is tested and set up at the factory. When first used with no load, make sure that the drive speed is correct and stable (see the nameplate). With the regreasable bearing option, we recommend greasing the bearings at the time of commissioning (see section 4.3).

On application of the load, the machine should achieve its rated speed and voltage; however, in the event of abnormal operation, the machine setting can be altered (follow the adjustment procedure in section 3.5). If the machine still operates incorrectly, the cause of the malfunction must be located (see section 4.5).

#### 3.5 - Setting up



**The various adjustments during tests must be made by a qualified engineer. Ensure that the drive speed specified on the nameplate is reached before commencing adjustment. After operational testing, replace all access panels or covers. The AVR is used to make any adjustments to the machine.**

## LSA 44.3

### Low Voltage Alternators - 4 pole

#### 4 - SERVICING - MAINTENANCE

##### 4.1 - Safety measures

Service or troubleshooting must be carried out strictly in accordance with instructions so as to avoid the risk of accidents and to maintain the machine in its original state.



All such operations performed on the alternator should be undertaken by personnel trained in the commissioning, servicing and maintenance of electrical and mechanical components, who must wear personal protective equipment appropriate for mechanical and electrical hazards.

Before any intervention on the machine, ensure that it cannot be started by a manual or automatic system and that you have understood the operating principles of the system.



**Warning :** During and after running, the alternator will reach temperatures hot enough to cause injury, such as burns.

##### 4.2 - Routine maintenance

###### • Checks after start-up

After approximately 20 hours of operation, check that all fixing bolts on the machine are still tight, plus the general state of the machine and the various electrical connections in the installation.

###### • Electrical servicing

Commercially-available volatile degreasing agents can be used.

#### WARNING

**Do not use:** trichlorethylene, perchlorethylene, trichloroethane or any alkaline products.



**These operations must be performed at a cleaning station, equipped with a vacuum system that collects and flushes out the products used.**

The insulating components and the impregnation system are not at risk of damage from solvents. Avoid letting the cleaning product run into the slots.

Apply the product with a brush, sponging frequently to avoid accumulation in the housing. Dry the winding with a dry cloth. Let any traces evaporate before reassembling the machine.

###### • Mechanical servicing

#### WARNING

**Cleaning the machine using water or a highpressure washer is strictly prohibited. Any problems arising from such treatment are not covered by our warranty.**

**Degreasing:** Use a brush and detergent (suitable for paintwork).

**Dusting:** Use an air gun.

If the machine is fitted with air inlet and outlet filters, the maintenance personnel should clean them routinely at regular intervals. In the case of dry dust, the filter can be cleaned using compressed air and/or replaced if it is clogged.

After cleaning the alternator, it is essential to check the winding insulation (see sections 3.2 and 4.5).

## LSA 44.3

### Low Voltage Alternators - 4 pole

#### 4.3 - Bearings

The bearings are permanently greased	Approximate life of the grease (depending on use) = 20,000 hours or 3 years.
--------------------------------------	--

#### 4.4 - Mechanical defects

Fault		Action
Bearing	Excessive overheating of one or both bearings (bearing temperature 80°C above the ambient temperature)	<ul style="list-style-type: none"> <li>- If the bearing has turned blue or if the grease has turned black, change the bearing.</li> <li>- Bearing not fully locked (abnormal play in the bearing cage)</li> <li>- End shields incorrectly aligned</li> </ul>
Abnormal temperature	Excessive overheating of alternator frame (more than 40° C above the ambient temperature)	<ul style="list-style-type: none"> <li>- Air flow (inlet-outlet) partially clogged or hot air is being recycled from the alternator or engine</li> <li>- Alternator operating at too high a voltage (&gt;105% of Un on load)</li> <li>- Alternator overloaded</li> </ul>
Vibrations	Too much vibration	<ul style="list-style-type: none"> <li>- Misalignment (coupling)</li> <li>- Defective mounting or play in coupling</li> <li>- Rotor balancing fault (Engine - Alternator)</li> </ul>
	Excessive vibration and humming noise coming from the machine	<ul style="list-style-type: none"> <li>- Phase imbalance</li> <li>- Stator short-circuit</li> </ul>
Abnormal noise	Alternator damaged by a significant impact, followed by humming and vibration	<ul style="list-style-type: none"> <li>- System short-circuit</li> <li>- Misparalleling</li> </ul> <p>Possible consequences</p> <ul style="list-style-type: none"> <li>- Broken or damaged coupling</li> <li>- Broken or bent shaft end</li> <li>- Shifting and short-circuit of main field</li> <li>- Fan fractured or coming loose on shaft</li> <li>- Irreparable damage to rotating diodes/AVR, surge suppressor</li> </ul>

## LSA 44.3

### Low Voltage Alternators - 4 pole

#### 4.5 - Electrical faults

Fault	Action	Effect	Check/Cause
No voltage at no load on start-up	Connect a new battery of 4 to 12 volts to terminals E- and E+, respecting the polarity, for 2 to 3 seconds	The alternator builds up and its voltage is still correct when the battery is removed	- Lack of residual magnetism
		The alternator builds up but its voltage does not reach the rated value when the battery is removed	- Check the connection of the voltage reference to the AVR - Faulty diodes - Armature short-circuit
		The alternator builds up but its voltage disappears when the battery is removed	- Faulty AVR - Field windings open circuit (check winding) - Revolving field coil open circuit (check the resistance)
Voltage too low	Check the drive speed	Correct speed	Check the AVR connections (AVR may be faulty) - Field windings short-circuited - Rotating diodes burnt out - Revolving field coil short-circuited - Check the resistance
		Speed too low	Increase the drive speed (do not touch the AVR voltage pot. (P2) before running at the correct speed)
Voltage too high	Adjust AVR voltage potentiometer	Adjustment ineffective	Faulty AVR
Voltage oscillations	Adjust the AVR stability potentiometer	If no effect: try normal or fast stability modes (ST2)	- Check the speed: possibility of cyclic irregularity - Loose connections - Faulty AVR - Speed too low when on load (or AVR LAM set too high)
Voltage correct at no load and too low when on load	Run at no load and check the voltage between E+ and E- on the AVR	Voltage between E+ and E- (DC) SHUNT < 20V - AREP / PMG < 10V	- Check the speed (or AVR LAM set too high)
		Voltage between E+ and E- SHUNT > 30V - AREP / PMG > 15V	- Faulty rotating diodes - Short-circuit in the revolving field coil. Check the resistance. - Faulty exciter armature. Check the resistance
Voltage disappears during operation	Check the AVR, the surge suppressor, the rotating diodes, and replace any defective components	The voltage does not return to the rated value	- Exciter winding open circuit - Faulty exciter armature - Faulty AVR - Revolving field coil open circuit or short-circuited

## LSA 44.3

### Low Voltage Alternators - 4 pole

#### • Checking the winding

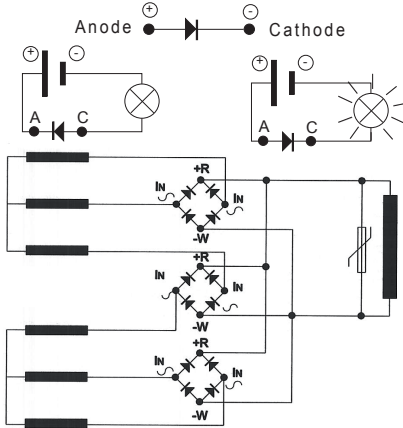
You can check the winding insulation by performing a high voltage test. In this case, you must disconnect all AVR wires.

#### WARNING

Damage caused to the AVR in such conditions is not covered by our warranty.

#### 4.5.2 - Checking the diode bridge

A diode in good working order should allow the current to flow only in the anode-to-cathode direction.



#### • Checking the windings and rotating diodes using separate excitation

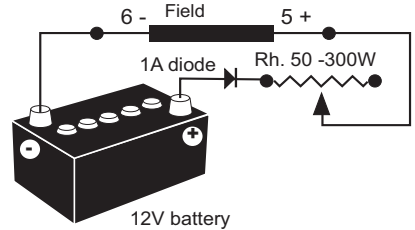


During this procedure, make sure that the alternator is disconnected from any external load and inspect the terminal box to check that the connections are fully tightened.

- 1) Stop the unit, disconnect and isolate the AVR wires.
- 2) There are two ways of creating an assembly with separate excitation.

**Assembly A:** Connect a 12 V battery in series with a rheostat of approximately 50 ohms - 300 W and a diode on both exciter field wires (5+) and (6-).

ASSEMBLY A



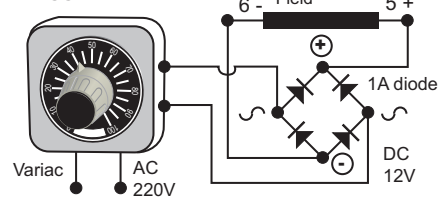
**Assembly B:** Connect a “Variac” variable power supply and a diode bridge on both exciter field wires (5+) and (6-).

Both these systems should have characteristics which are compatible with the field excitation power of the machine (see the nameplate).

3) Run the unit at its rated speed.

4) Gradually increase the exciter field current by adjusting the rheostat or the variac and measure the output voltages on L1 - L2 - L3, checking the excitation voltage and current at no load (see the machine nameplate or ask for the factory test report). When the output voltage is at its rated value and balanced within 1% for the rated excitation level, the machine is in good working order. The fault therefore comes from the AVR or its associated wiring (ie. sensing, auxiliary windings).

ASSEMBLY B



# LSA 44.3

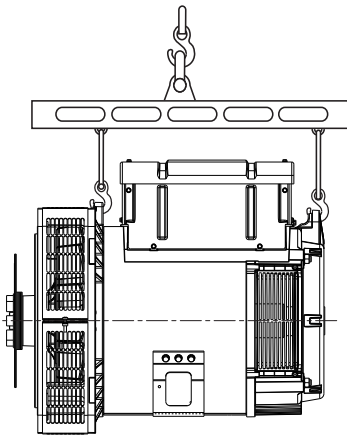
## Low Voltage Alternators - 4 pole

### 4.6 - Dismantling, reassembly

#### WARNING

During the warranty period, this operation should only be carried out in an approved workshop or in our factory, otherwise the warranty may be invalidated.

Whilst being handled, the machine should remain horizontal (rotor not locked when moved). Check how much the machine weighs before choosing the lifting method.



#### • Tools required

To fully dismantle the machine, we recommend using the tools listed below:

- 1 ratchet spanner + extension
- 1 torque wrench
- 1 set of flat spanners: 7, 8, 10, 12 mm
- 1 socket set: 8, 10, 13, 16, 18, 21, 22, 24 mm
- 1 Allen key: size 5 (eg. Facom: ET5), size 6 (ET6), size 10 (ET10), size 14 (ET14)
- 1 T20 and T30 TORX bit
- 1 puller (U35)/(U32/350)

#### • Screw tightening torque

See section 5.4.

#### • Access to diodes

- Remove the air intake grille [51].
- Check all 3 modules using an ohmmeter or a battery lamp.

- Refit the modules.
- Refit the air intake grille [51].

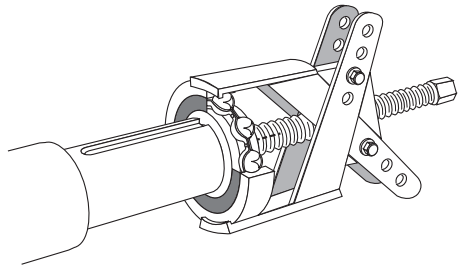
#### • Access to connections and the regulation system

The terminals are accessed directly by removing the terminal box lid [48]. To access the AVR adjustment potentiometers, the side plate [59] should be removed.

#### • Replacing the NDE bearing on single-bearing machines

##### - Dismantling

- Remove the terminal box lid [48].
- Unscrew the fixing clamps on the power output cables, remove the connector from the exciter and the R 791 module.
- Remove the 4 nuts on the tie rods.
- Remove the NDE shield [36] using a puller: eg. U. 32 - 350 (FACOM).
- Remove the antifriction bearing [70] using a screw puller.



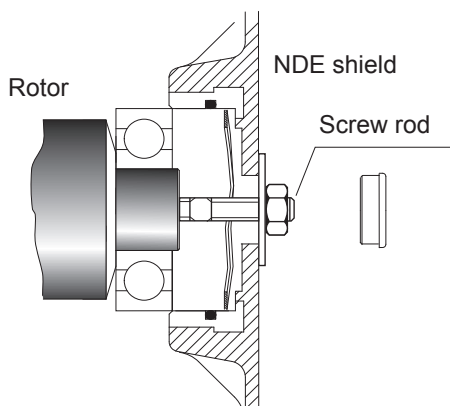
##### - Reassembly

- Heat the inner slipping of a new bearing by induction or in a drying oven at 80°C (do not use an oil-bath) and fit it to the machine.
- Place the preloading wavy washer [79] in the shield and fit a new O ring seal [349]. Refit the NDE shield and pass the bundle of wires between the top bars of the shield.
- Refit the fixing clamps on the cables, the R 791 module and the exciter connector.
- Replace the terminal box lid [48] and also the earth continuity screw [29].



## LSA 44.3

### Low Voltage Alternators - 4 pole



#### WARNING

When dismantling the shields, you will need to change the antifriction bearings, the “O” ring seal, the preloading (wavy) washer and adhesive paste.

#### • Replacing the DE bearing

##### - Dismantling

- Uncouple the alternator from the prime mover.
- Remove the 8 assembly screws.
- Remove the DE shield [32].
- Remove the NDE shield.
- Remove both antifriction bearings [60] and [70] using a puller with a central screw.

##### - Reassembly

- Heat the new bearings by induction or in a drying oven at 80°C (do not use an oil-bath) and fit them to the machine.
- Check that both the preloading wavy washer [79] and the new O ring seal [349] have been fitted on the NDE shield [36].
- Refit the NDE shield and pass the bundle of wires between the top bars of the shield.
- Refit the DE shield [32] and tighten the 8 fixing screws.
- Check that the alternator assembly is correctly mounted and that all screws are tightened.

#### • Accessing the main field and stator

##### - Dismantling

Follow the procedure for dismantling the bearings.

- Remove the coupling disc (single-bearing alternator) or the DE shield (twin-bearing alternator) and insert a tube of the corresponding diameter on the shaft end.
- Rest the rotor on one of its poles, then slide it out. Use the tube as a lever arm to assist dismantling.
- After extraction of the rotor, be careful not to damage the fan or dismantle it.
- Remove the revolving field coil (rotor) and place on special V-shaped supports.

**NOTE:** If intervention is required on the revolving field coil (rewinding, replacement of components), the rotor assembly must be rebalanced.

##### - Reassembling the revolving field coil

- Follow the dismantling procedure in reverse order.

Take care not to knock the windings when refitting the rotor in the stator.

- Refit the fan with its fixing screws on the hub.

Follow the procedure for refitting the bearings.

## LSA 44.3

### Low Voltage Alternators - 4 pole

#### 4.7 - Installation and maintenance of the PMG

The PMG reference is PMG 7. See the PMG maintenance manual, ref: 4211.



**After operational testing, it is essential to replace all access panels or covers. Don't forget the screw [29] earth continuity.**

#### 4.8 - Table of characteristics

Table of average values:

Alternator - 4 poles - 50 Hz/60 Hz - Winding 6S (6-wire) or 6 (12-wire) and M or M1 connected in dedicated single-phase. (400V for the excitation values).

The voltage and current values are given for no-load operation and operation at rated load with separate field excitation. All values are given at  $\pm 10\%$  (for exact values, consult the test report) and are subject to change without prior warning. For 60 Hz machines, the resistance values are the same and the excitation current «i exc» is approximately 5 to 10% weaker.

##### • SHUNT resistances at 20°C ( $\Omega$ )

Type	L/N stator	Rotor	Exciter field	Armature
S2	0.0503	2.354	11.647	0.790
S3	0.0503	2.354	11.647	0.790
S4	0.039	2.578	12.941	0.920
S5	0.039	2.578	12.941	0.920
M6	0.0335	2.893	12.941	0.920
M8	0.0287	3.145	12.941	0.920
L10	0.0236	3.433	12.941	0.920
L12	0.0236	3.433	12.941	0.920
VL13	0.0188	4.044	5.307	1.149
VL14	0.0188	4.044	5.307	1.149

##### • SHUNT excitation current - 400 V - 50 Hz "i exc": excitation current of the exciter field

Type	At no load	On load
S2	0.75	2.07
S3	0.75	2.33
S4	0.73	2.11
S5	0.73	2.31
M6	0.66	2.47
M8	0.62	2.37
L10	0.67	2.45
L12	0.67	2.71
VL13	0.78	3.17
VL14	0.78	3.53

##### • AREP resistances at 20°C ( $\Omega$ )

Type	L/N stator	Rotor	Exciter field	Armature
S2	0.0503	2.354	7.262	0.790
S3	0.0503	2.354	7.262	0.790
S4	0.039	2.578	8.068	0.920
S5	0.039	2.578	8.068	0.920
M6	0.0335	2.893	8.068	0.920
M8	0.0287	3.145	8.068	0.920
L10	0.0236	3.433	8.068	0.920
L12	0.0236	3.433	8.068	0.920
VL13	0.0188	4.044	5.307	1.149
VL14	0.0188	4.044	5.307	1.149

##### • AREP resistances at 20°C ( $\Omega$ ) on the auxiliary windings

Type	Winding X1, X2	Winding Z1, Z2
S2	0.341	0.627
S3	0.341	0.627
S4	0.304	0.571
S5	0.304	0.571
M6	0.288	0.575
M8	0.271	0.559
L10	0.247	0.524
L12	0.247	0.524
VL13	0.238	0.546
VL14	0.238	0.546

## LSA 44.3

### Low Voltage Alternators - 4 pole

• **AREP excitation current - 400 V - 50 Hz**  
 "i exc": excitation current of the exciter field

Type	At no load	On load
<b>S2</b>	0.97	2.67
<b>S3</b>	0.97	3
<b>S4</b>	0.94	2.71
<b>S5</b>	0.94	2.98
<b>M6</b>	0.85	3.18
<b>M8</b>	0.81	3.05
<b>L10</b>	0.86	3.15
<b>L12</b>	0.86	3.49
<b>VL13</b>	0.78	3.17
<b>VL14</b>	0.78	3.53

• **Voltage on the auxiliary windings**

Type	Winding X1, X2	Winding Z1, Z2
<b>50 Hz</b>	55 ... 59	11 ... 16
<b>60 Hz</b>	66 ... 71	14 ... 19

• **4P dedicated single-phase - Winding M SHUNT excitation (50 Hz)**

**Resistances at 20°C (Ω)**

Type	L/N stator	Rotor	Exciter field	Armature
<b>S3</b>	0.012	2.354	11.647	0.790
<b>S5</b>	0.0093	2.578	12.941	0.920
<b>M8</b>	0.0068	3.145	12.941	0.920

**i exc excitation current (A) - 230 V - 50 Hz**

"i exc": excitation current of the exciter field

Type	At no load	On load
<b>S3</b>	0.7	1.5
<b>S5</b>	0.7	1.5
<b>M8</b>	0.6	1.3

• **4P dedicated single-phase - Winding M1 SHUNT excitation (60 Hz)**

**Resistances at 20°C (Ω)**

Type	L/N stator	Rotor	Exciter field	Armature
<b>S3</b>	0.0084	2.354	11.647	0.790
<b>S5</b>	0.0059	2.578	12.941	0.920
<b>M6</b>	0.0053	2.893	12.941	0.920
<b>L10</b>	0.0042	3.433	12.941	0.920

**i exc excitation current (A) - 240 V - 60 Hz**

"i exc": excitation current of the exciter field

Type	At no load	On load
<b>S3</b>	0.9	1.8
<b>S5</b>	1	2
<b>M6</b>	0.6	1.7
<b>L10</b>	0.7	1.5

• **Table of weights**

(values given for information only)

Type	Total weight (kg)	Rotor (kg)
<b>S2</b>	301	120
<b>S3</b>	301	120
<b>S4</b>	338	138
<b>S5</b>	338	138
<b>M6</b>	374	152
<b>M8</b>	404	164
<b>L10</b>	439	180
<b>L12</b>	439	180
<b>VL13</b>	555	223
<b>VL14</b>	555	223



After operational testing, it is essential to replace all access panels or covers. Don't forget the screw [29] earth continuity.

# LSA 44.3

## Low Voltage Alternators - 4 pole

### 5 - SPARE PARTS

#### 5.1 - First maintenance parts

Emergency repair kits are available as an option.

They contain the following items:

SHUNT repair kit	ALT 44.3 KS 001
R250 voltage regulator	-
Diode set assembly	-
	-

AREP/PMG repair kit	5155834
D350 voltage regulator	-
Diode set assembly	-
	-

Single-bearing kit	ALT 44.3 KB 001
NDE bearing	-
'O' ring seal	-
Preloading wavy washer	-

Twin bearing kit	ALT 44.3 KB 002
NDE bearing	-
DE bearing	-
'O' ring seal	-
Preloading wavy washer	-

#### 5.2 - Technical support service

Our technical support service will be pleased to provide any additional information you may require.

For all spare parts orders or technical support requests, send your request to [service.epg@leroy-somer.com](mailto:service.epg@leroy-somer.com) or your closest contact, whom you will find at [www.lrsm.co/support](http://www.lrsm.co/support) indicating the complete type of machine, its number and the information indicated on the nameplate.

Part numbers should be identified from the exploded views and their description from the parts list.

To ensure that our products operate correctly and safely, we recommend the use of original manufacturer spare parts.

In the event of failure to comply with this advice, the manufacturer cannot be held responsible for any damage.



**After operational testing, it is essential to replace all access panels or covers.**

#### 5.3 - Accessories

##### • Space heater for use when stopped

The space heater must run as soon as the alternator stops. It is installed at the rear of the machine. Its power is 100W with 220V as standard and 110V or 277V on request.



**Warning: the power supply is present when the machine has stopped.**

##### • Temperature sensors with thermistors (PTC)

These are thermistor triplets with a positive temperature coefficient installed in the stator winding (1 per phase). There can be a maximum of 2 triplets in the winding (at 2 levels: warning and trip) and 1 or 2 thermistors in the shields.

These sensors must be linked to adapted sensing relays (supplied optionally).

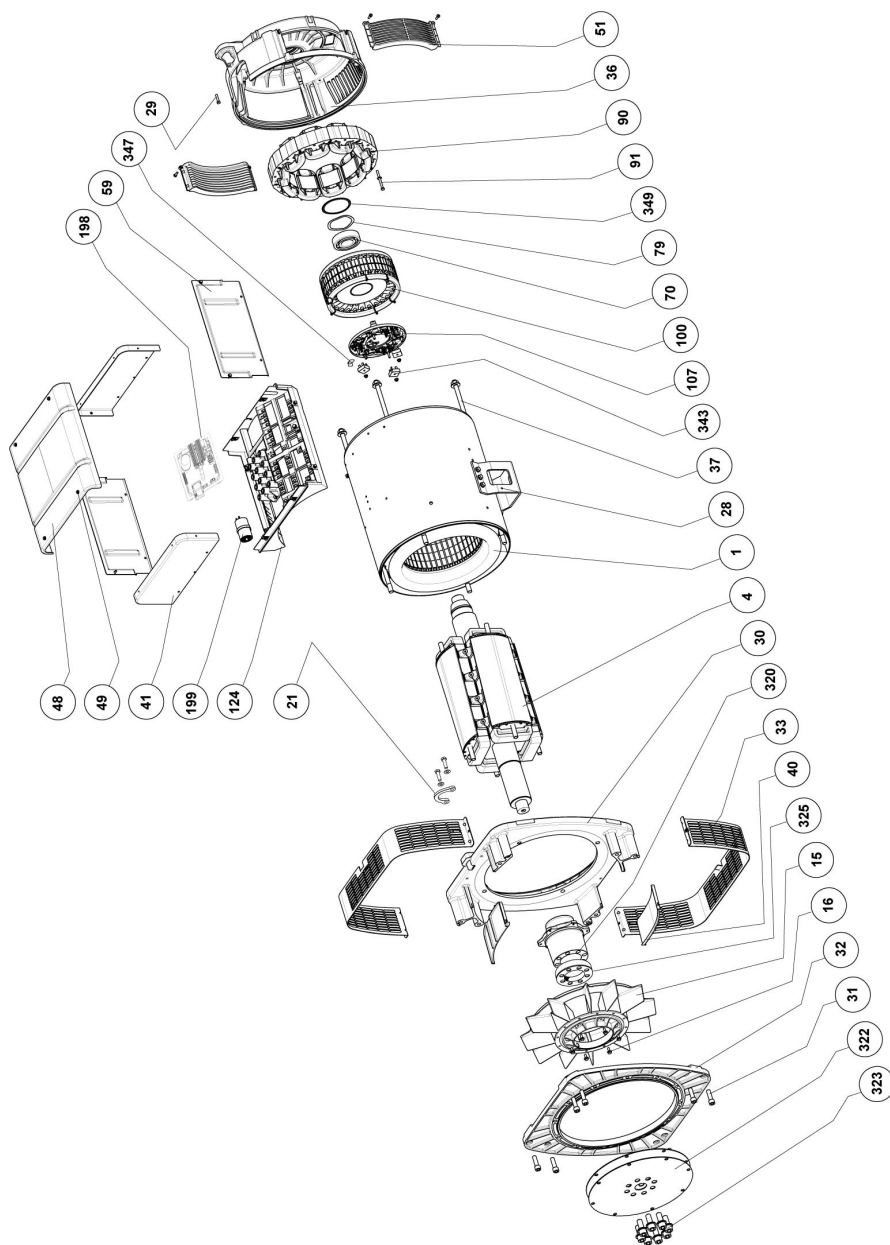
Cold resistance of cold thermistor sensors: 100 to 250 Ω per sensor.

# LSA 44.3

## Low Voltage Alternators - 4 pole

### 5.4 - Exploded view, parts list and tightening torque

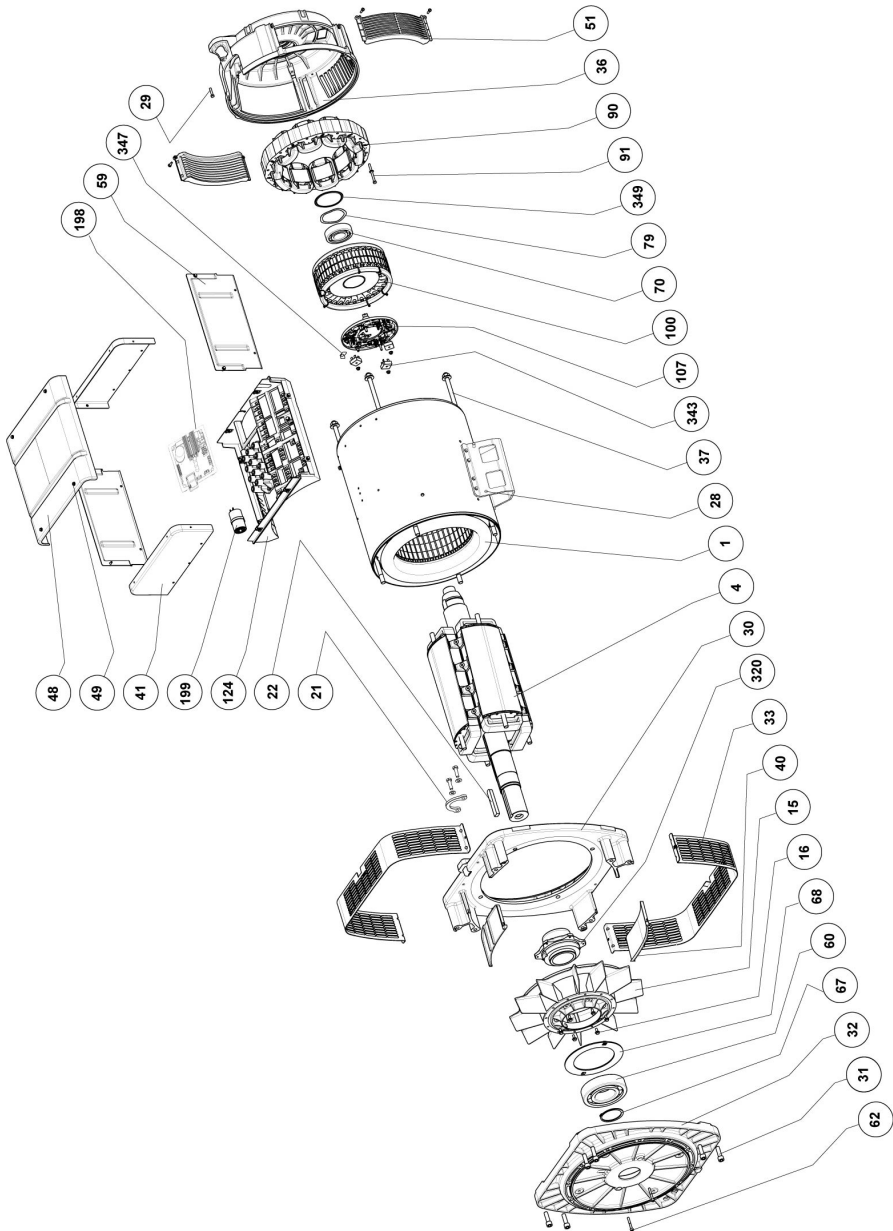
#### • Single-bearing



# LSA 44.3

## Low Voltage Alternators - 4 pole

• Double-bearing



## LSA 44.3

### Low Voltage Alternators - 4 pole

Ref.	Qty	Description	Screw Ø	Torque N.m	Ref.	Qty	Description	Screw Ø	Torque N.m
1	1	Stator assembly	-	-	60	1	DE bearing	-	-
4	1	Rotor assembly	-	-	62	2	Fixing screw	M6	8.3
15	1	Fan	-	-	67	1	Circlip	-	-
16	6	Fixing screw	M6	5	68	1	Inner bearing retainer	-	-
21	1	Lifting eye (only with LSA 44.3 VL13 and VL14)	M10	40	70	1	NDE bearing	-	-
22	1	Key	-	-	79	1	Washer preloading	-	-
28	1	Earth terminal	M6*	10**	90	1	Exciter field	-	-
29	1	Earth continuity screw	M6	10	91	4	Fixing screws exciter	M6	10
30	1	DE shield	-	-	100	1	Exciter armature	-	-
31	8	Fixing screw	M12	69	107	1	Diode module support	M5	6
32	1	S.A.E. washer	-	-	124	1	Terminal plate	M6	5
33	2	Air outlet grille	M6	5	198	1	Voltage regulator (AVR)	M5	6
36	1	NDE shield	-	-	199	1	Interference suppression module	-	-
37	4	Tie rod	M14	90***	320	1	Sleeve	-	-
40	2	Plastic cover (only with LSA 44.3 L12)	-	-	322	2	Coupling disc	-	-
41	2	NDE or DE cover	-	-	323	8	Fixing screw	M16	320
48	1	Top cover	-	-	325	-	Spacer shim	-	-
49	-	Fixing screw	M5	5	343	3	Diode module assembly	M5	3
51	2	Air intake grille	M5	3.6	347	1	Surge suppressor	M6	4
59	2	Side cover	-	-	349	1	'O' ring seal	-	-

\* M12 (only with LSA 44.3 VL13 and VL14)

\*\* 69 N.m (only with LSA 44.3 VL13 and VL14)

\*\*\*130 N.m (only with LSA 44.3 VL13 and VL14)

# LSA 44.3

## Low Voltage Alternators - 4 pole

### Disposal and recycling instructions

We are committed to limiting the environmental impact of our activity. We continuously monitor our production processes, material sourcing and product design to improve recyclability and minimise our environmental footprint.

These instructions are for information purposes only. It is the user's responsibility to comply with local legislation regarding product disposal and recycling.

### Recyclable materials

Our alternators are mainly constructed from iron, steel and copper materials, which can be reclaimed for recycling purposes.

These materials can be reclaimed through a combination of manual dismantling, mechanical separation and melting processes. Our technical support department can provide detailed directions on how to dismantle products on request.

### Waste & hazardous materials

The following components and materials require special treatment and must be separated from the alternator before the recycling process:

- electronic materials found in the terminal box, including the automatic voltage regulator (198), current transformers (176), interference suppression module (199) and other semi-conductors.
- diode bridge (343) and surge suppressor (347), found on the alternator rotor.
- major plastic components, such as the terminal box structure on some products. These components are usually marked with information concerning the type of plastic.

All materials listed above need special treatment to separate waste from reclaimable materials and should be entrusted to specialist recycling companies.

The oil and grease from the lubrication system should be treated as hazardous waste and must be treated in accordance with local legislation.



# LSA 44.3

## Low Voltage Alternators - 4 pole

### Declaration of EC compliance and incorporation

This Declaration applies to the generators designed to be incorporated into machines complying with the Machinery Directive Nr 2006/42/EC dated 17 May 2006.

MOTEURS LEROY-SOMER Boulevard Marcellin Leroy 16015 ANGOULEME FRANCE	MLS HOLICE STLO.SRO SLADKOVSKOHO 43 772 04 OLOMOUC CZECH REPUBLIC	MOTEURS LEROY-SOMER 1, rue de la Burelle Boîte Postale 1517 45800 ST JEAN DE BRAYE FRANCE	DIVISION LEROY-SOMER STREET EMERSON Nr4 Parcul Industrial Tetarom 2 4000641 CLUJ NAPOCA ROMANIA
---	--	---	---

Declares hereby that the electric generators of the types:

LSA40, LSA42.3, LSA44.2, LSA44.3, LSA46.2, LSA46.3, LSA47.2, LSA49.1, LSA49.3, LSA50.1, LSA50.2, LSA51.2, LSA52.2, LSA52.3, LSA53.1, LSA53, LSA53.2, LSA54, LSA54.2, TAL040, TAL042, TAL044, TAL046, TAL047, TAL049, as well as their derivatives, manufactured by Leroy-Somer or on Leroy-Somer's behalf, comply with the following International Standards and Directive:

- EN and IEC 60034-1, 60034-5 and 60034-22
- ISO 8528-3 "Reciprocating internal combustion engine driven alternating current generating sets. Part 3. Alternating current generators for generating sets"
- Low Voltage Directive Nr 2014/35/UE dated 26 February 2014

Furthermore, these generators, designed in compliance with the Machine Directive Nr 2006/42, are therefore able to be incorporated into Electrical Gen-Sets complying with the following International Directives:


- Machinery Directive Nr 2006/42/EC dated 17 May 2006
- EMC Directive Nr 2014/30/UE dated 26 February 2014, as intrinsic levels of emissions and immunity are concerned

#### WARNING:

The here mentioned generators should not be commissioned until the corresponding Gen-Sets have been declared in compliance with the Directives Nr 2006/42/EC and 2014/30/UE, as well as with the other relevant Directives.

Leroy-Somer undertakes to transmit, in response to a reasoned request by the national authorities, relevant information on the generator.

Technical Managers  
J.P. CHARPENTIER Y. MESSIN

4152 en - 2017.05 / m

*The contractual EC Declaration of Conformity and Incorporation can be obtained from your contact on request.*

# LSA 44.3

## Low Voltage Alternators - 4 pole

# Service & Support

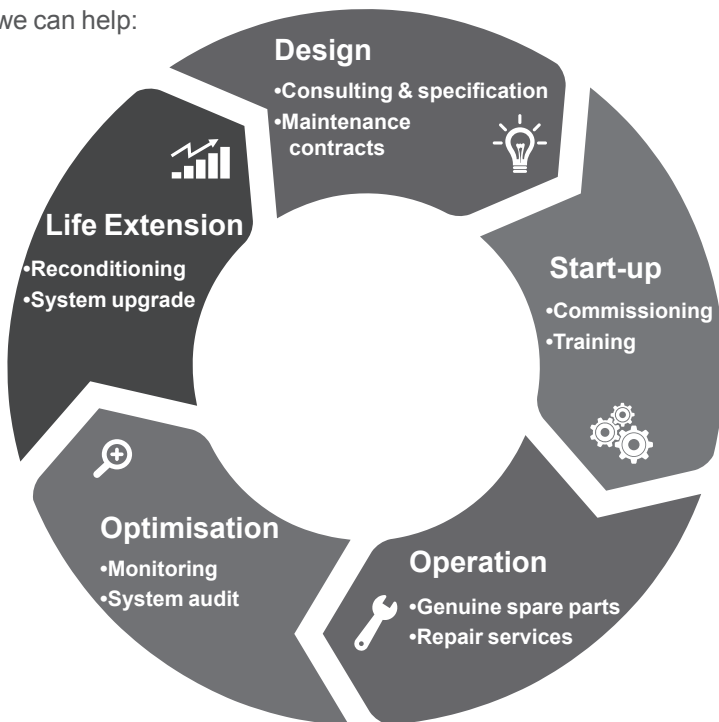
Our worldwide service network of over 80 facilities is at your service.

This local presence is our guarantee for fast and efficient repair, support and maintenance services.

Trust your alternator maintenance and support to electric power generation experts. Our field personnel are 100% qualified and fully trained to operate in all environments and on all machine types.

We have a deep understanding of alternator operation, providing the best value service to optimise your cost of ownership.

Where we can help:



Contact us:

**Americas:** +1 (507) 625 4011

**Europe & Rest of the world:** +33 238 609 908

**Asia Pacific:** +65 6250 8488

**China:** +86 591 88373036

**India:** +91 806 726 4867

**Middle East:** +971 4 5687431



Scan the code or go to:

 [service.epg@leroy-somer.com](mailto:service.epg@leroy-somer.com)

[www.lrsr.co/support](http://www.lrsr.co/support)

**LEROY-SOMER**<sup>™</sup>

[www.leroy-somer.com/epg](http://www.leroy-somer.com/epg)

[Linkedin.com/company/Leroy-Somer](https://www.linkedin.com/company/Leroy-Somer)

[Twitter.com/Leroy\\_Somer\\_en](https://twitter.com/Leroy_Somer_en)

[Facebook.com/LeroySomer.Nidec.en](https://www.facebook.com/LeroySomer.Nidec.en)

[YouTube.com/LeroySomerOfficiel](https://www.youtube.com/LeroySomerOfficiel)



***Nidec***  
All for dreams