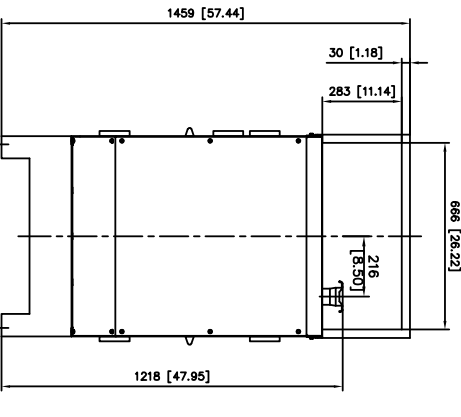
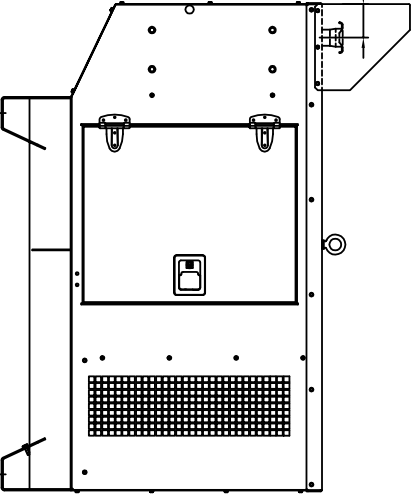


OPTION: CAPOT INTERIEUR / INSIDE CANOPY



Ce plan est valable pour groupe électrogène avec réservoir gasoil intégré.
Pour version sans réservoir gasoil intégré voir plan correspondant.
This drawing is valid for a generating set with integrated fuel tank.
For version without integrated fuel tank refer to relevant drawing.
 Ce plan vous est remis à titre indicatif et peut être révisé sans préavis. This drawing is for informational purposes only and may be changed without notice.

| MOTEUR/ENGINE | MATERIAU/GENERATOR | A | B | C | D | E | F | G | H | I | J | K | L | M | N | O | P | TOLERANCE : ± 0.6 % | | |
|---------------|--------------------|----------|----------|----------|----------|---|---|---|---|---|---|---|---|---|---|---|---|---------------------|-----------------------|-----------------|
| | | | | | | | | | | | | | | | | | | MASSSE/WEIGHT (kg) | GENERATOR WEIGHT (kg) | NET WEIGHT (kg) |
| L3E-SD | AT00260T | 463/1020 | 513/1131 | 958/37.7 | 562/22.1 | | | | | | | | | | | | | | | |
| L3E-SDH | AT00420T | 476/1049 | 526/1160 | 974/38.3 | 562/22.1 | | | | | | | | | | | | | | | |
| S3L2-SD | AT00350T | 541/1192 | 592/1305 | 930/36.6 | 555/21.9 | | | | | | | | | | | | | | | |
| S3L2-SD | AT00470T | 549/1208 | 599/1320 | 944/37.2 | 553/21.8 | | | | | | | | | | | | | | | |
| S3L2-SDH | AT00420T | 550/1215 | 600/1325 | 928/36.5 | 555/21.9 | | | | | | | | | | | | | | | |
| S3L2-SDH | AT00420T | 541/1193 | 591/1303 | 932/36.7 | 555/21.9 | | | | | | | | | | | | | | | |
| S4L2-SD | LSA40S4 | 564/1243 | 617/1360 | 974/38.3 | 562/22.1 | | | | | | | | | | | | | | | |
| S4L2-SD | LSA40M5 | 572/1261 | 625/1377 | 974/38.3 | 561/22.9 | | | | | | | | | | | | | | | |
| S4L2-SD | AT00404T | 630/1389 | 680/1499 | 957/37.7 | 553/21.8 | | | | | | | | | | | | | | | |
| S4L2-SD | AT00420T | 555/1224 | 605/1334 | 955/37.6 | 555/21.9 | | | | | | | | | | | | | | | |
| KDW1003 | AT00350T | 500/1102 | 570/1257 | 930/36.6 | 515/20.3 | | | | | | | | | | | | | | | |
| KDW1003 | AT00381T | 480/1058 | 550/1213 | 912/35.9 | 514/20.2 | | | | | | | | | | | | | | | |
| KDW1404 | AT00350T | 510/1124 | 560/1279 | 953/37.5 | 516/20.3 | | | | | | | | | | | | | | | |
| KDW1404 | AT00470T | 520/1146 | 590/1301 | 956/37.6 | 516/20.3 | | | | | | | | | | | | | | | |
| KDW1404/H | AT00420T | 520/1146 | 590/1301 | 953/37.5 | 516/20.3 | | | | | | | | | | | | | | | |
| KDW1603 | AT00470T | 580/1279 | 650/1433 | 933/36.7 | 514/20.2 | | | | | | | | | | | | | | | |
| KDW1603 | AT00404T | 610/1345 | 680/1499 | 953/37.5 | 514/20.2 | | | | | | | | | | | | | | | |
| KDW2004 | AT00404T | 650/1433 | 720/1587 | 973/38.3 | 518/20.4 | | | | | | | | | | | | | | | |
| KDI1903M | AT00630T | 680/1453 | 730/1609 | 923/36.4 | 533/21.0 | | | | | | | | | | | | | | | |
| KDI2504M | AT00520T | 700/1543 | 780/1720 | 954/37.5 | 531/20.9 | | | | | | | | | | | | | | | |
| L3E-SDH | AT00540T | 710/1585 | 790/1742 | 967/38.1 | 537/21.1 | | | | | | | | | | | | | | | |
| L3E-SDH | AT00540T | 448/988 | 498/1098 | 950/37.4 | 585/22.2 | | | | | | | | | | | | | | | |

SDMO 3-00-01-3270-01-R

GENERATEUR DE LA SÉRIE SDMO

REVISION : 1/1

DATE : 12/10/11

DESIGNATION : CAPOT / CANOPY

PROJ : 1/1

MASSSE (kg/Net)

16