

FOR INDIVIDUAL GENSET MODEL TYPES SEE BROADCAST LITERATURE

ENGINE TYPE: 5030HF285

ALTERNATOR: UCI 224F

USEABLE FUEL CAPACITY: 223L Integral / 201L Bunded

SHIPPING WEIGHT (WITH OIL): 830Kg's

WET WEIGHT 50/50 GLYCOL & FUEL: 1024Kg's

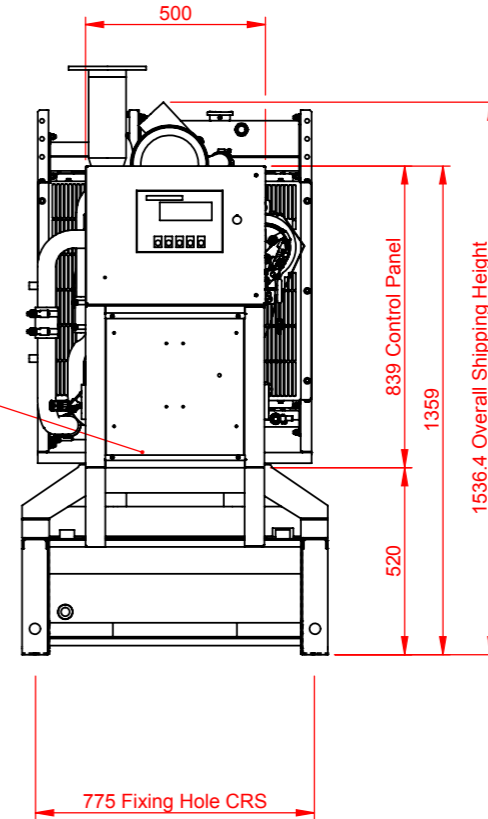
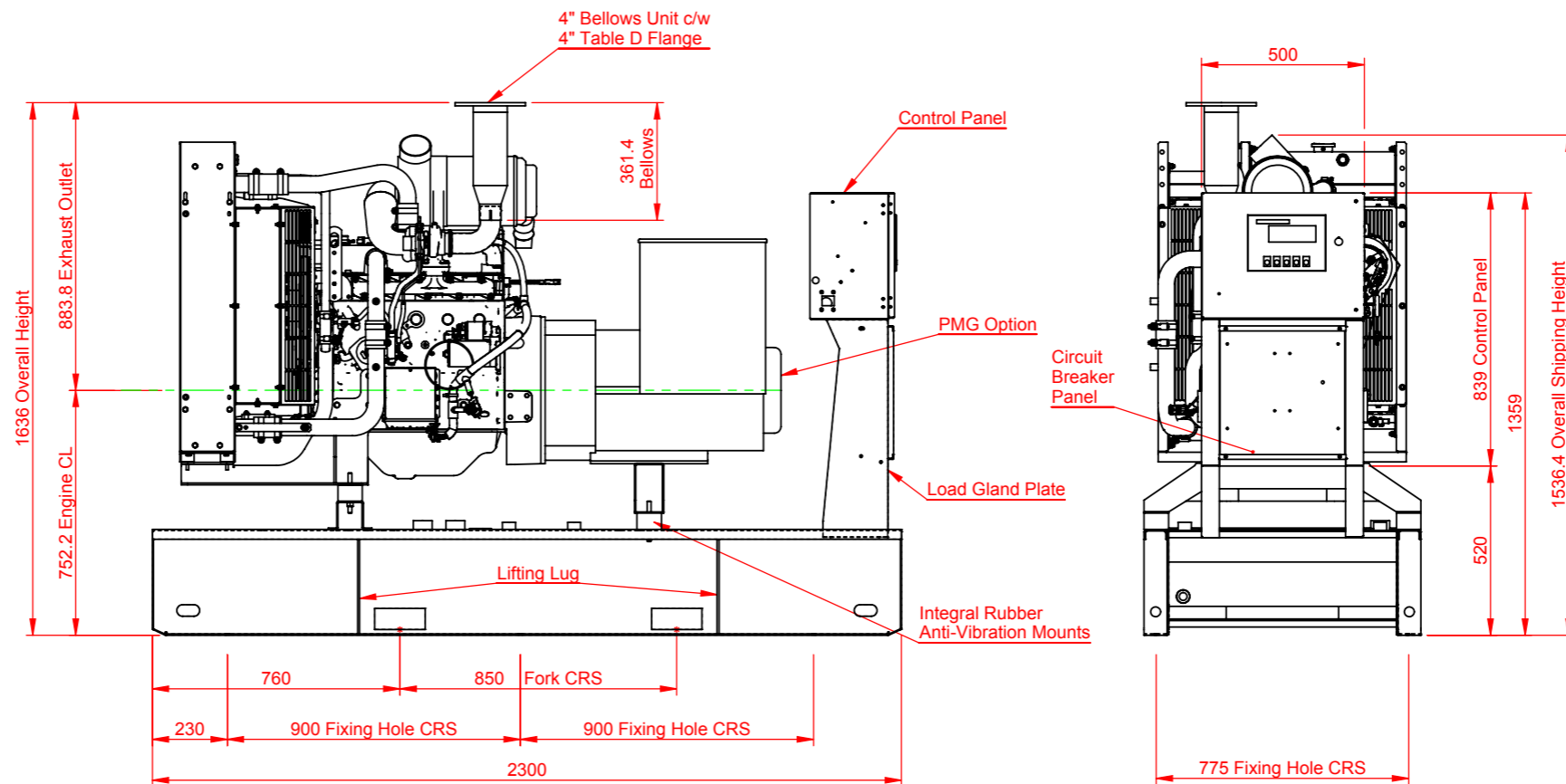
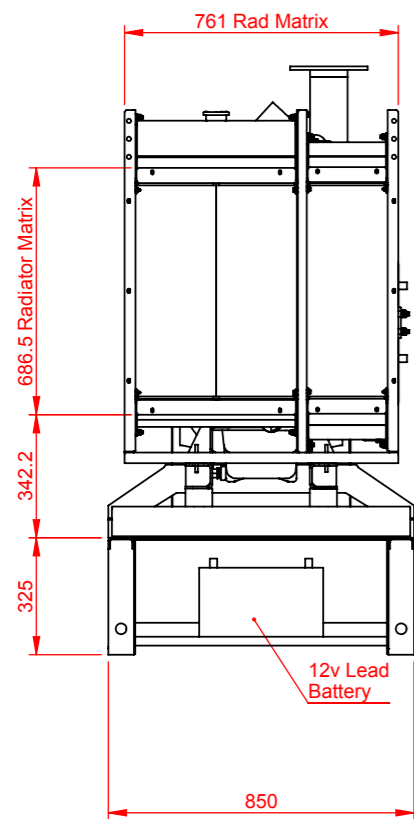
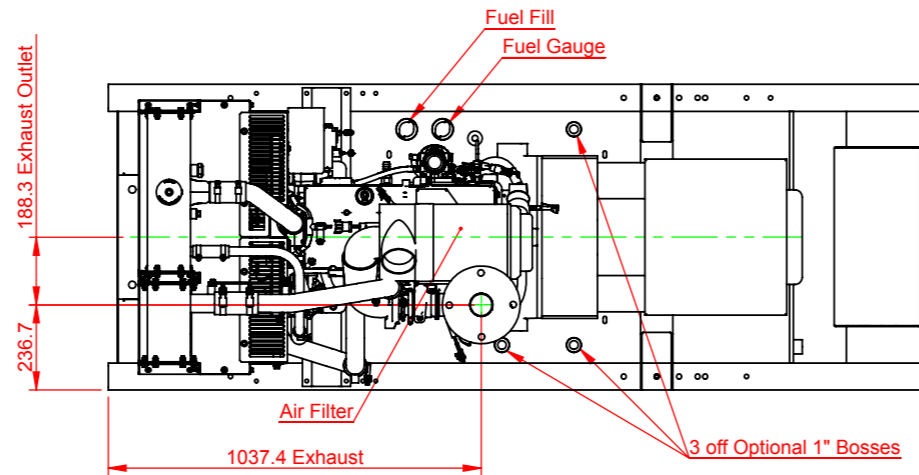
OIL CAPACITY: 8L

COOLING CAPACITY: 8.5L

GENERATOR IS TO BE PLACED ON A FLAT FLOOR OR CONCRETE BASE

PLEASE NOTE WEIGHTS MAY VARY DEPENDING ON ALTERNATOR

COMBINATION



B	Re-Drawn New BW Radiator Added	PR	3/6/10
C	Tank Capacities Corrected	SJB	28/7/11
D	Added Dimensions. Re-Scaled.	L.R	28.11.11

REV	DETAILS	APP'D	DATE
-----	---------	-------	------

NOTES - MECHANICAL
 TOLERANCES:
 GENERAL TOLERANCES: +/- 5mm
 FABRICATION: +/- 3mm
 HOLE CENTRES: +/- 1mm
 OTHER TOLERANCES AS OTHERWISE STATED WHERE REQUIRED

GEOMETRICAL AND OTHER TOLERANCES AS STATED.

THIRD ANGLE PROJECTION

DESCRIPTION
 Open Frame 3 5030HF285 UCI224F Sales GA

SHEET 1 of 1

CREATED BY:	P RUTTER
DATE:	
MODIFIED BY:	S BEAN
DATE:	28/7/11
CHECKED BY:	P RUTTER
DATE:	28/7/11
ISSUE:	D

DRAWING No:
JGA032

broadcrown
 Broadcrown Limited (Group Headquarters)
 Airfield Industrial Estate, Hixon, Stafford,
 ST18 0PF, United Kingdom.
 tel: +44 (0) 1889 272200
 www.broadcrown.com

MATERIAL:	
FINISH:	