

FOR INDIVIDUAL GEN SET MODEL TYPES SEE BROADCAST LITERATURE

ENGINE TYPE: 4045TF158 (60Hz)

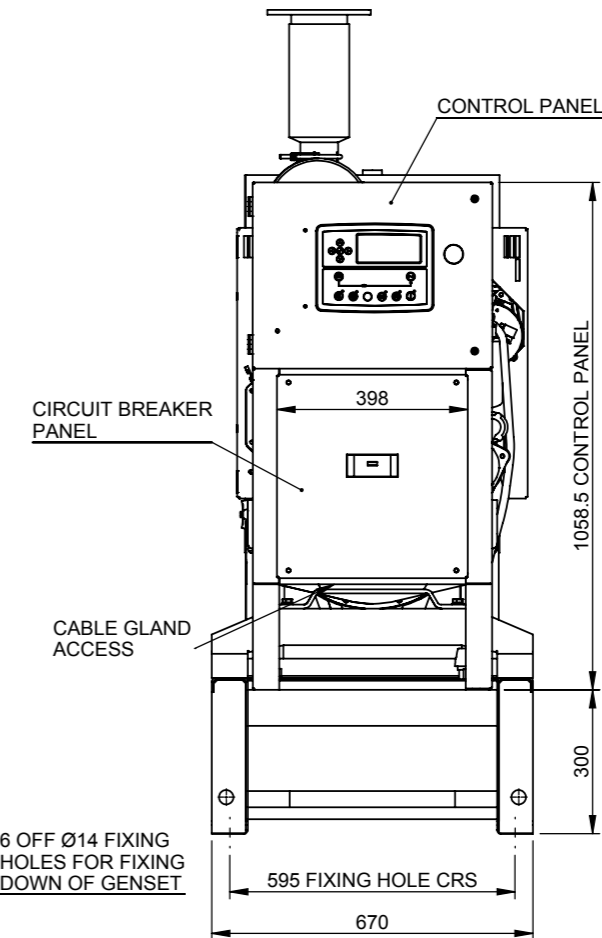
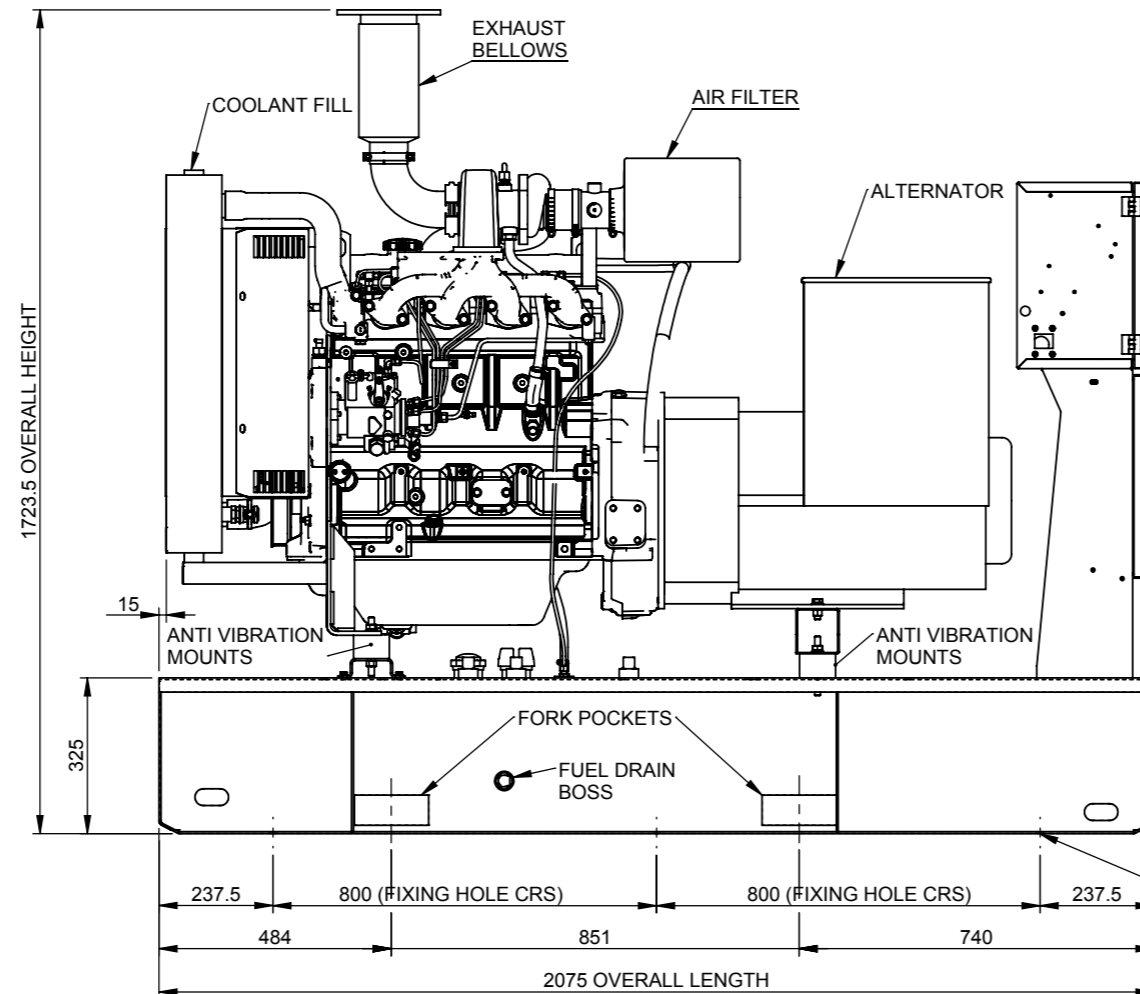
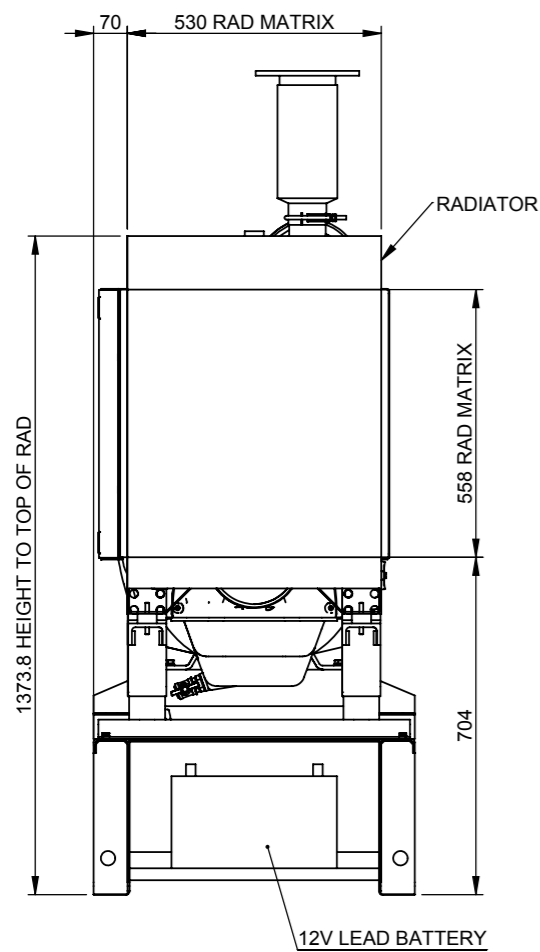
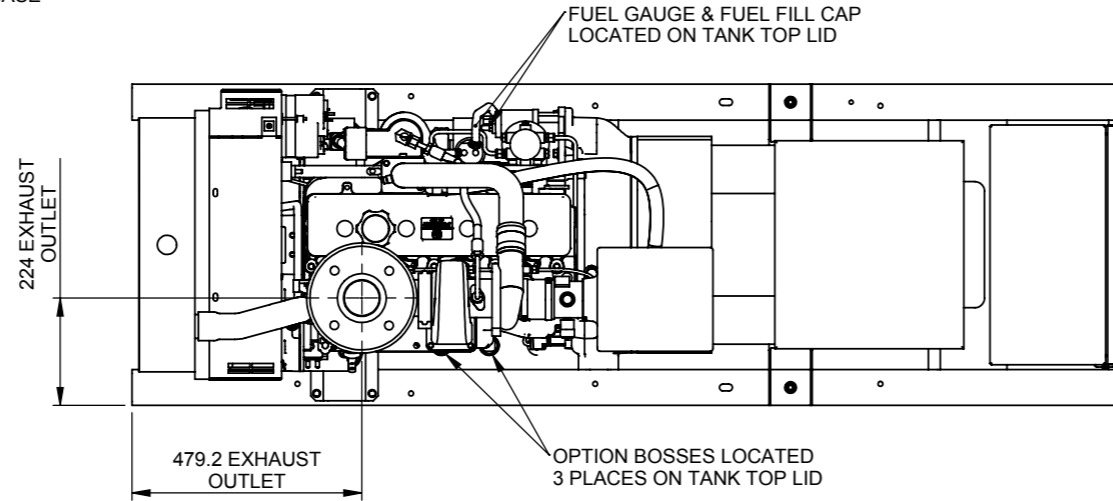
USEABLE FUEL CAPACITY: (INTEGRAL) 150 LITRES  
(BUNDED) 130 LITRES

OIL CAPACITY: 12 LITRES

COOLING CAPACITY: 17.5 LITRES

GENERATOR TO BE PLACED ON A FLAT FLOOR OR CONCRETE BASE

GEN SET MODEL	ENGINE	ALTERNATOR	Dry Weight (Kg)	Wet Weight (Kg)
BCJD 58-60SP	4045TF158	UCI 224 E	1017	1160



B	INFORMATION ADDED	LR	21.11.12
C	DWG UPDATED. 50Hz MODEL GIVEN SEPERATE DWG JGA 153.	IWR	08/04/13

REV	DETAILS	APP'D	DATE
-----	---------	-------	------

NOTES - MECHANICAL  
TOLERANCES:  
GENERAL TOLERANCES: +/- 5mm  
FABRICATION: +/- 3mm  
HOLE CENTRES: +/- 1mm  
OTHER TOLERANCES AS OTHERWISE STATED WHERE REQUIRED  
GEOMETRICAL AND OTHER TOLERANCES AS STATED.  
THIRD ANGLE PROJECTION

DESCRIPTION  
OF2 4045TF158 UCI 224E (60Hz) SALES GA

SHEET 1 of 1

CREATED BY:	L RICHARDS
DATE:	21.11.2011
MODIFIED BY:	I RUTTER
DATE:	08/04/2013
CHECKED BY:	P RUTTER
DATE:	08/04/2012
ISSUE:	C

DRAWING No:  
**JGA091**

**broadcrown**  
Broadcrown Limited (Group Headquarters)  
Airfield Industrial Estate, Hixon, Stafford,  
ST18 0PF, United Kingdom.  
tel: +44 (0) 1889 272200  
www.broadcrown.com

MATERIAL:	
FINISH:	