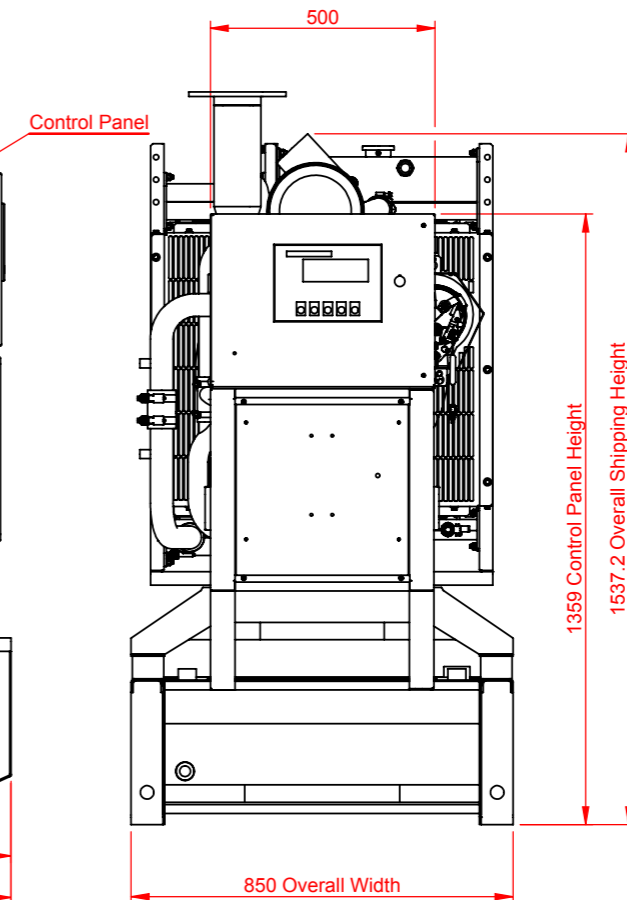
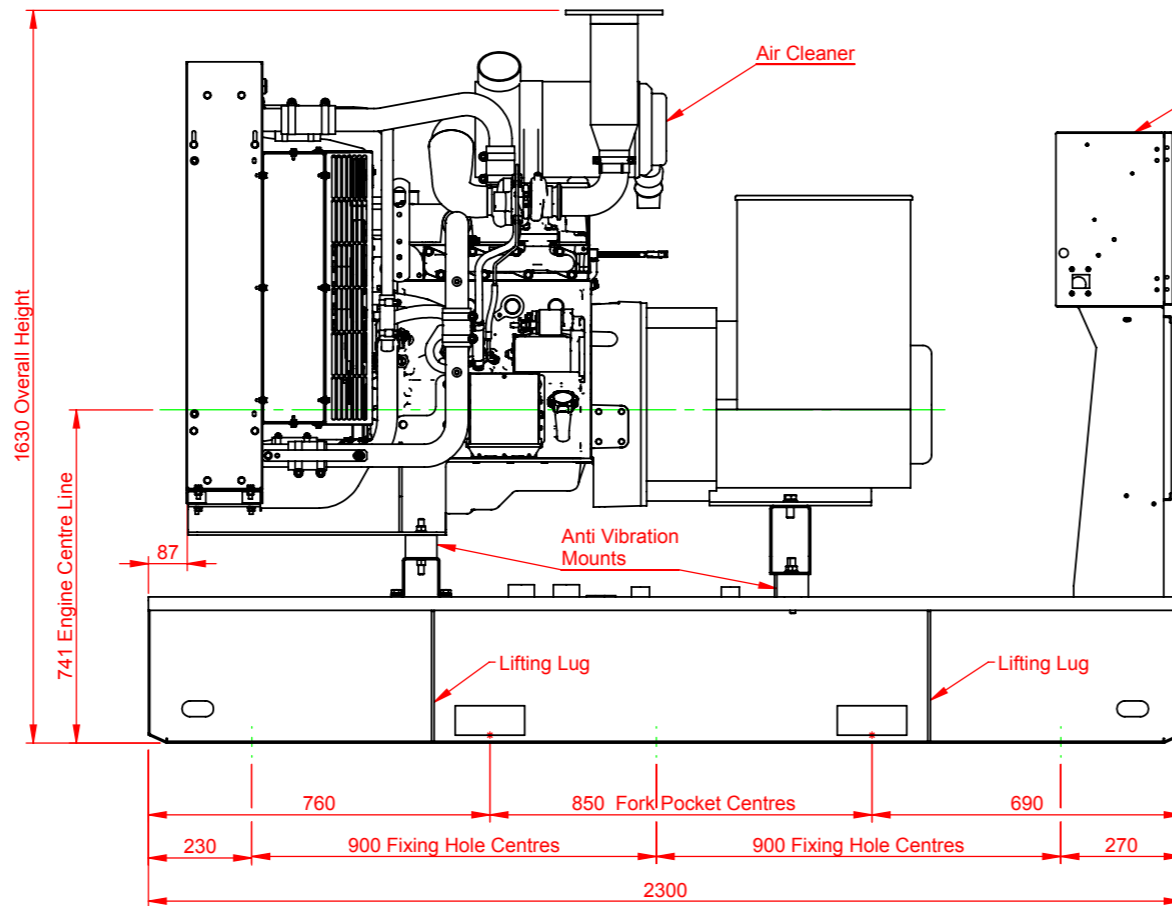
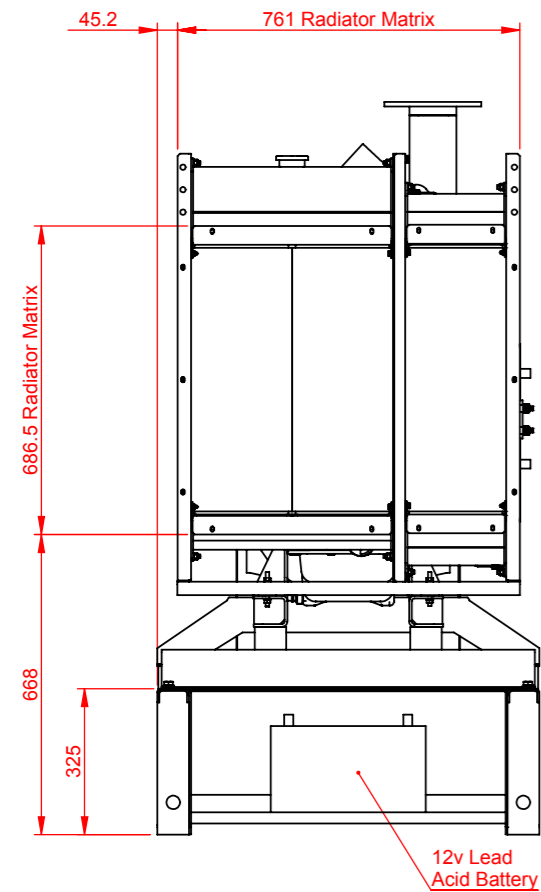
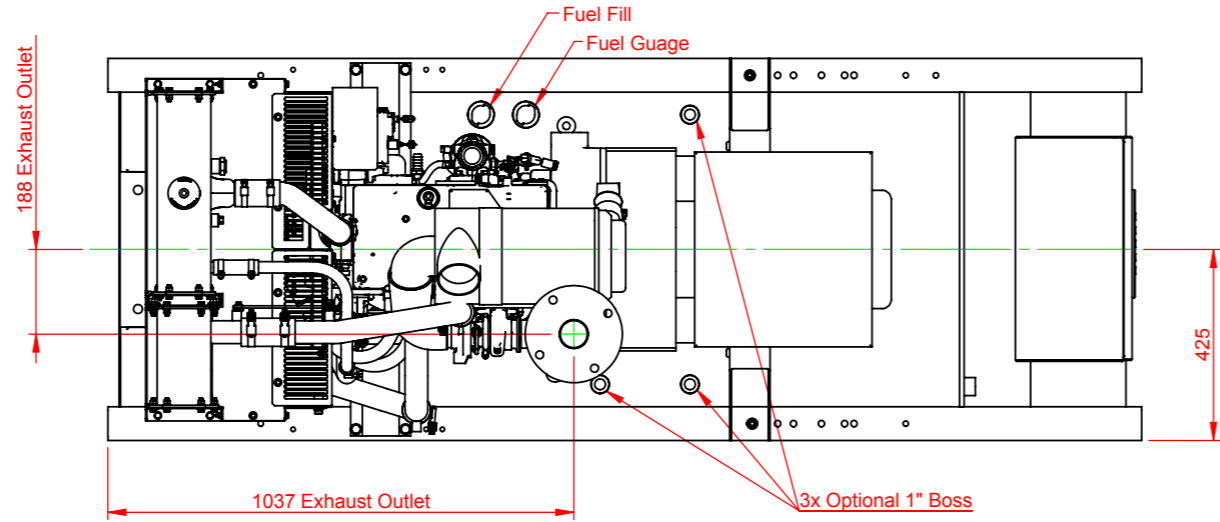


ENGINE	ALTERNATOR	OIL CAPACITY	COOLING CAPACITY	WEIGHT (DRY)	WEIGHT (WET)
4024HF285	UCI 224 D	7.5	16	1252 Kg	1490 Kg

A FOR INDIVIDUAL GEN SET MODEL TYPES & ENGINE DATA SHEETS SEE
WWW.BROADCROWN.COM

GENERATOR TO BE PLACED ON A FLAT FLOOR OR CONCRETE BASE

USEABLE TANK CAPACITY = 223L INTEGRAL / 201L BUNDED



REV	DETAILS	APP'D	DATE
B	Tank Capacities Added	SJB	28/7/11
C	Added Data & Dimentions. Re-Scaled.	L.R	28.11.11

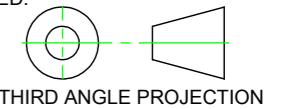
REV	DETAILS	APP'D	DATE
-----	---------	-------	------

NOTES - MECHANICAL

TOLERANCES:

GENERAL TOLERANCES: +/- 5mm
FABRICATION: +/- 3mm
HOLE CENTRES: +/- 1mm
OTHER TOLERANCES AS OTHERWISE STATED WHERE REQUIRED

GEOMETRICAL AND OTHER TOLERANCES AS STATED.



DESCRIPTION
OF3 4024HF285 UCI224D Sales Gen Assy

SHEET 1 of 1

CREATED BY:	L.Richards
DATE:	21.09.2010
MODIFIED BY:	S BEAN
DATE:	28/7/11
CHECKED BY:	P RUTTER
DATE:	28/7/11
ISSUE:	C

DRAWING No:
JGA106

broadcrown
Broadcrown Limited (Group Headquarters)
Airfield Industrial Estate, Hixon, Stafford,
ST18 0PF, United Kingdom.
tel: +44 (0) 1889 272200
www.broadcrown.com

MATERIAL:	
FINISH:	