

FOR INDIVIDUAL GEN SET MODEL TYPES SEE BROADCASTCROWN LITERATURE

ENGINE TYPE: 3029TF158 (50Hz)

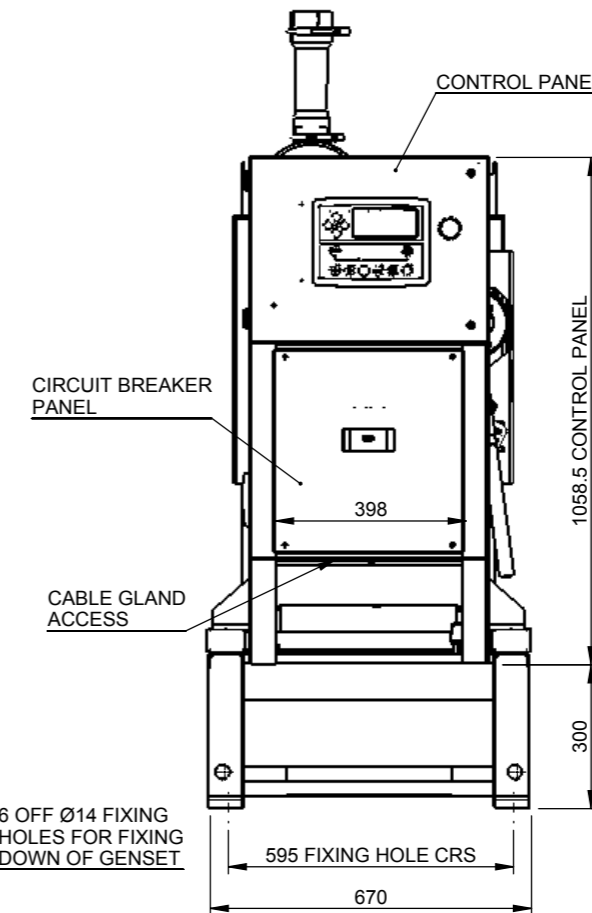
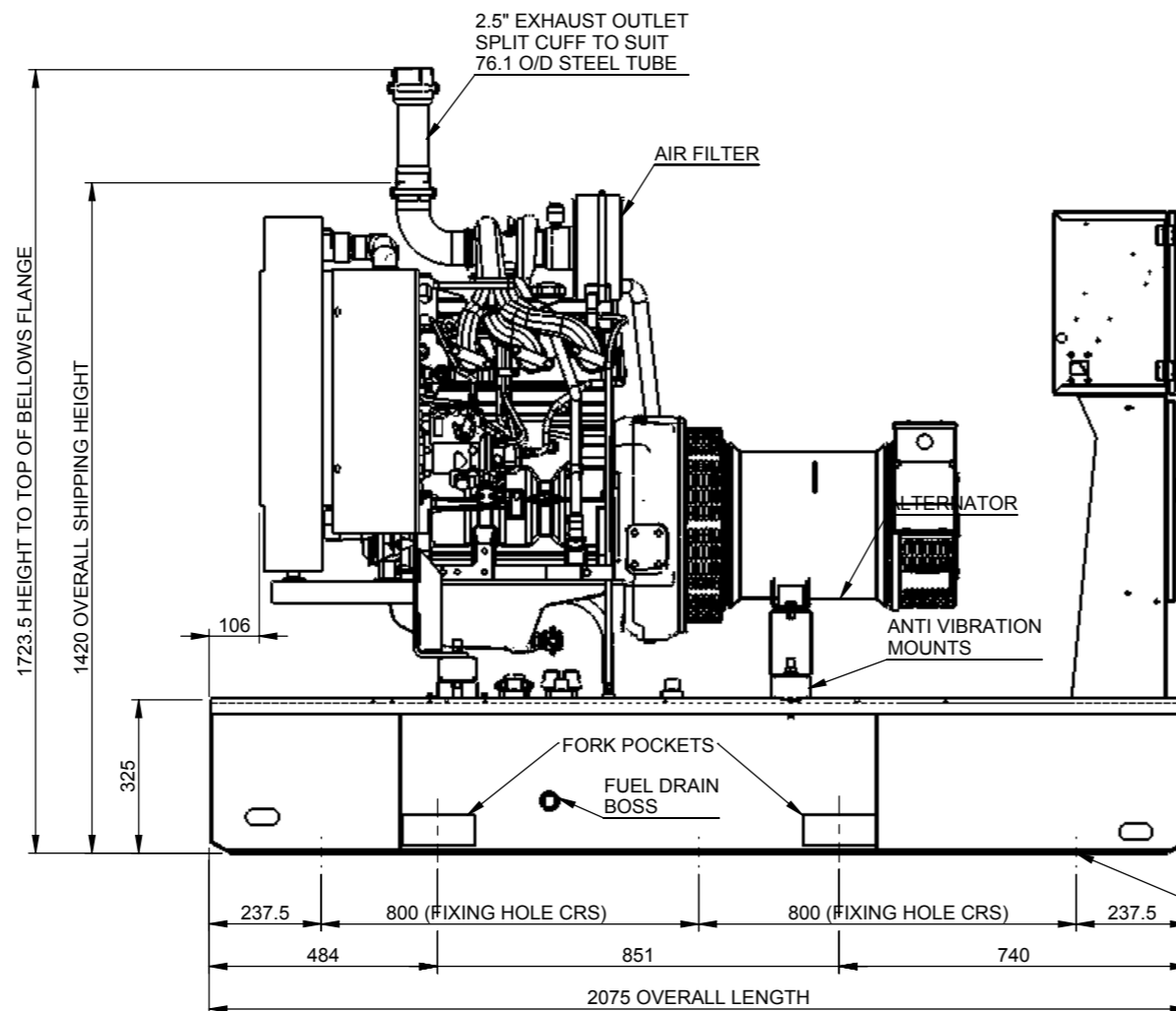
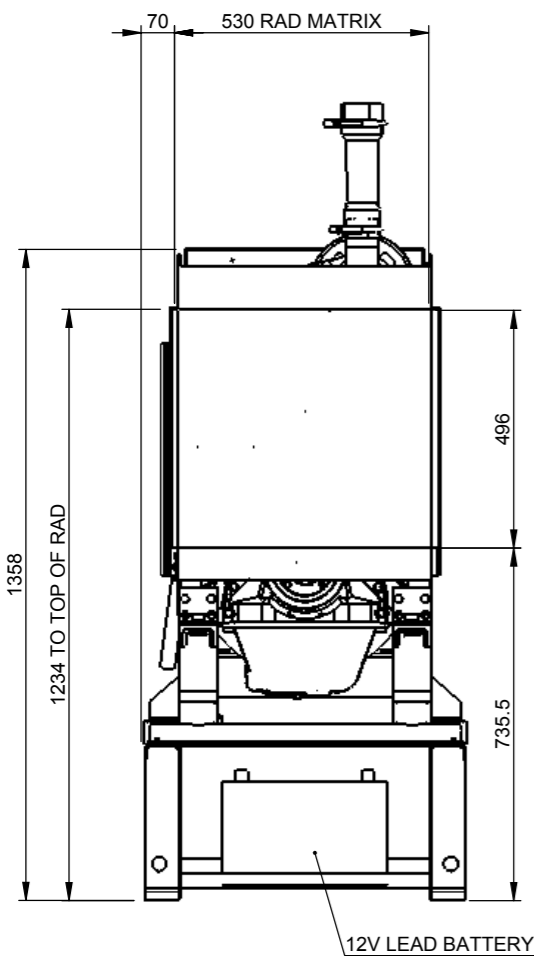
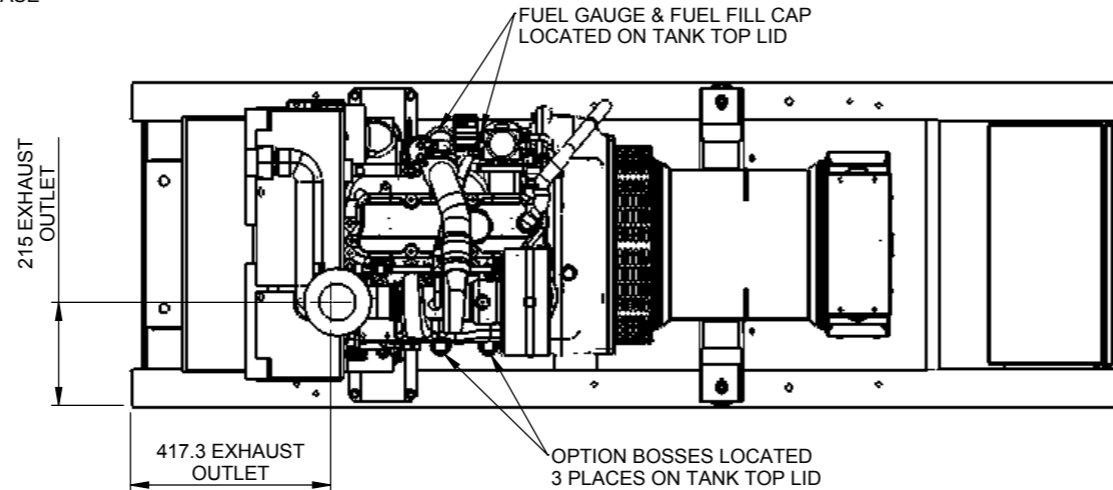
USEABLE FUEL CAPACITY: (INTEGRAL) 150 LITRES
(BUNDED) 130 LITRES

OIL CAPACITY: 9.5 LITRES

COOLING CAPACITY: 12 LITRES

GENERATOR TO BE PLACED ON A FLAT FLOOR OR CONCRETE BASE

GEN SET MODEL	ENGINE	ALTERNATOR	Dry Weight (Kg)	Wet Weight (Kg)
BCJD 44-50	3029TF158	PI 144 J	689	821



MATERIAL:

FINISH:

REV	DETAILS	APP'D	DATE
B	Re-Draw, PI144J Alternator Added BCI Range Obsolete	SJB	4/6/10
C	Added Dimensions & Descriptions Changed	LR	30.11.11
D	DWG FORMAT UPDATED. WEIGHTS ADDED.	IWR	19/03/13

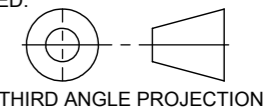
REV	DETAILS	APP'D	DATE
-----	---------	-------	------

NOTES - MECHANICAL

TOLERANCES:

GENERAL TOLERANCES: +/- 5mm
FABRICATION: +/- 3mm
HOLE CENTRES: +/- 1mm
OTHER TOLERANCES AS OTHERWISE STATED WHERE REQUIRED

GEOMETRICAL AND OTHER TOLERANCES AS STATED.



DESCRIPTION

OF2 3029TF158 PI144 J SALES GA (50Hz)

SHEET 1 of 1

CREATED BY: P.Rutter

DATE:

MODIFIED BY: I RUTTER

DATE: 19/03/2013

CHECKED BY: P.Rutter

DATE: 19/03/2013

ISSUE: D

DRAWING No:

JGA043

broadcrown

Broadcrown Limited (Group Headquarters)
Airfield Industrial Estate, Hixon, Stafford,
ST18 0PF, United Kingdom.
tel: +44 (0) 1889 272200
www.broadcrown.com



ISO 9001
PM 07/09