

FOR INDIVIDUAL GEN SET MODEL TYPES SEE BROADCROWN LITERATURE

ENGINE TYPE: JOHN DEERE 3029TF158

ALTERNATOR: NEWAGE PI144J

USEABLE FUEL CAPACITY:  
INTEGRAL: 115L  
BUNDED: 95L

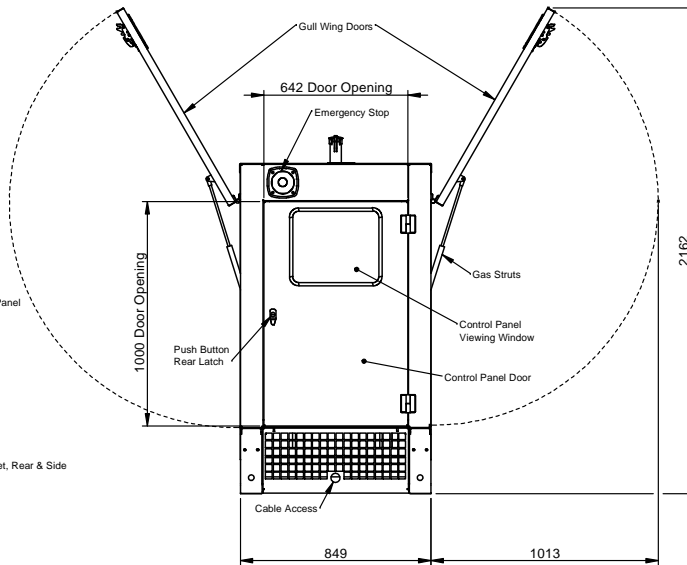
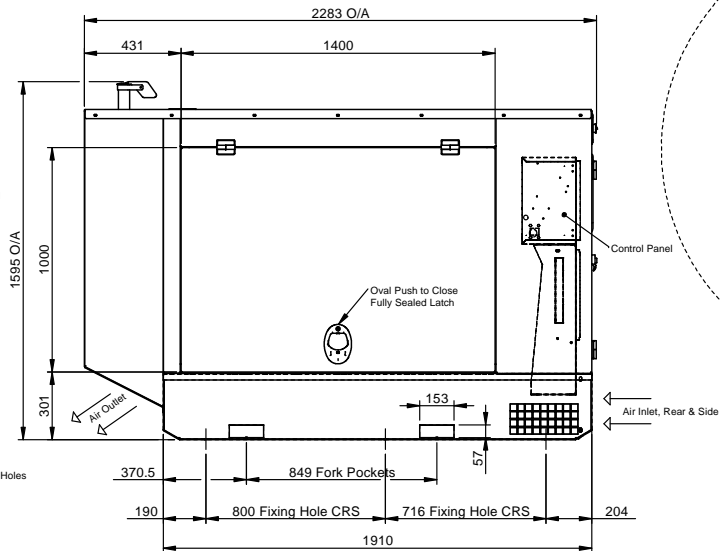
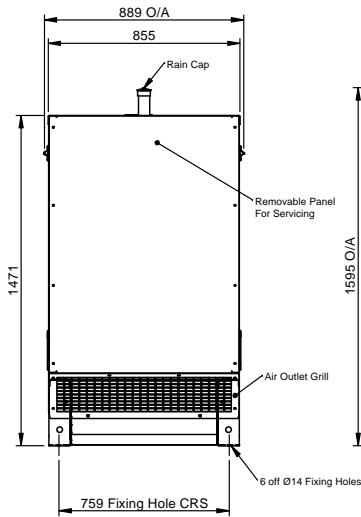
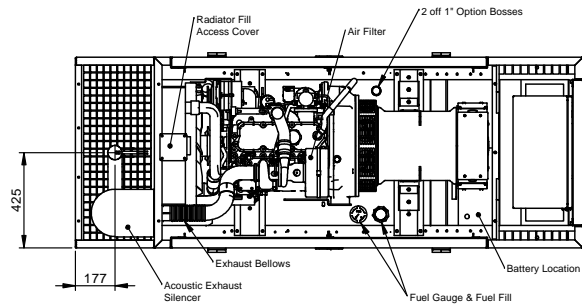
SHIPPING WEIGHT (WITH OIL): 985Kg

WET WEIGHT 50/50 GLYCOL & FUEL: 1090Kg

OIL CAPACITY: 8.5L  
COOLANT CAPACITY: 12L

GENERATOR IS TO BE PLACED ON A FLAT FLOOR OR CONCRETE BASE

PLEASE NOTE WEIGHTS MAY VARY DEPENDING ON ALTERNATOR COMBINATION



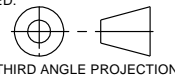
B	Battery Position Moved	PR	04/04/06
C	Fuel Tank Capacity Corrected	PR	19/11/07
D	Re-Drawn. Alternator Revised to P1144J	SJB	12/2/13

REV	DETAILS	APP'D	DATE
-----	---------	-------	------

NOTES - MECHANICAL

TOLERANCES:  
GENERAL TOLERANCES: +/- 5mm  
FABRICATION: +/- 3mm  
HOLE CENTRES: +/- 1mm  
OTHER TOLERANCES AS OTHERWISE STATED WHERE REQUIRED

GEOMETRICAL AND OTHER TOLERANCES AS STATED.



DESCRIPTION

JD3029TF158 C1 Sales Gen Assy Drg

SHEET 1 of 1

CREATED BY: P RUTTER

DATE:

MODIFIED BY: S BEAN

DATE: 12/2/13

CHECKED BY: P RUTTER

DATE: 12/2/13

ISSUE: D

DRAWING No:

JGA042

**broadcrown**  
Broadcrown Limited (Group Headquarters)  
Airfield Industrial Estate, Hixon, Stafford,  
ST18 0PF, United Kingdom.  
tel: +44 (0) 1895 272200  
www.broadcrown.com

MATERIAL:	
FINISH:	