

FOR INDIVIDUAL GEN SET MODEL TYPES SEE BROADCAST LITERATURE

ENGINE TYPE: 4024TF281

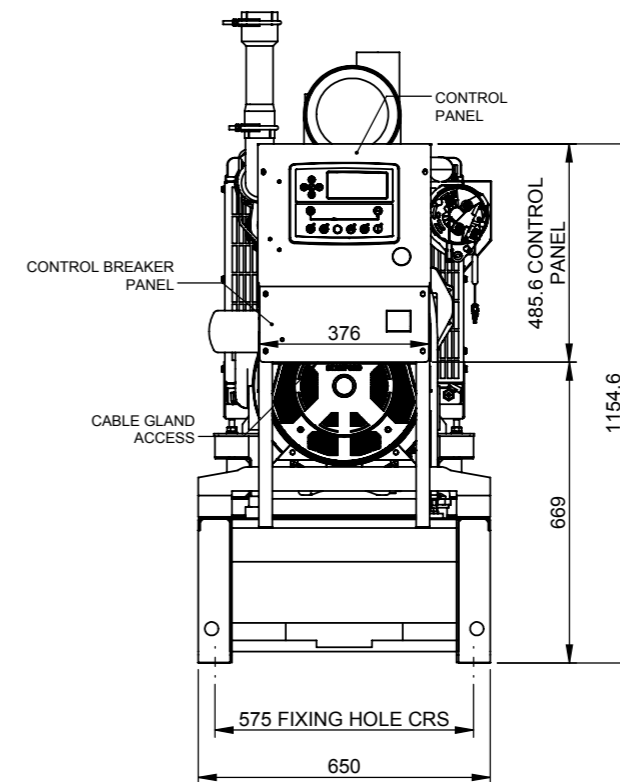
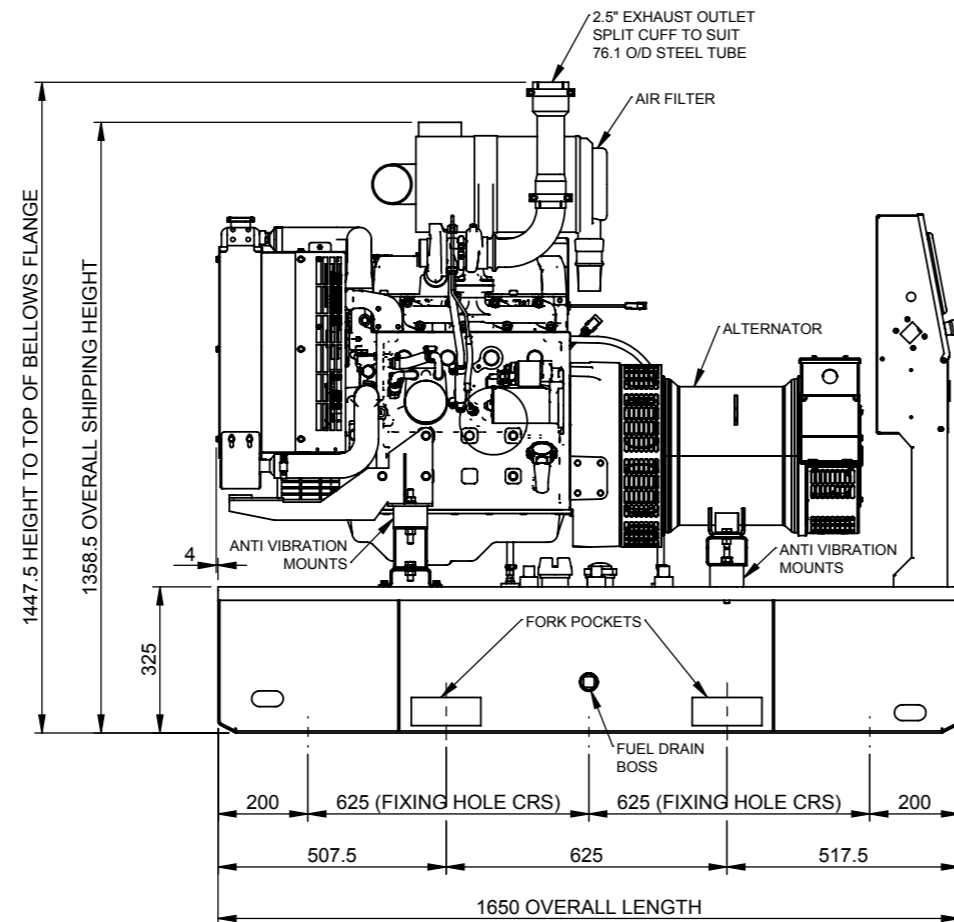
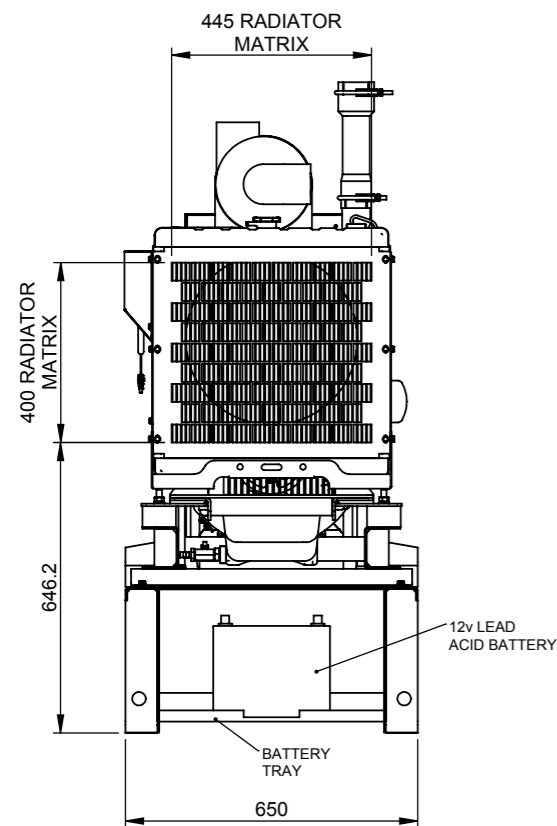
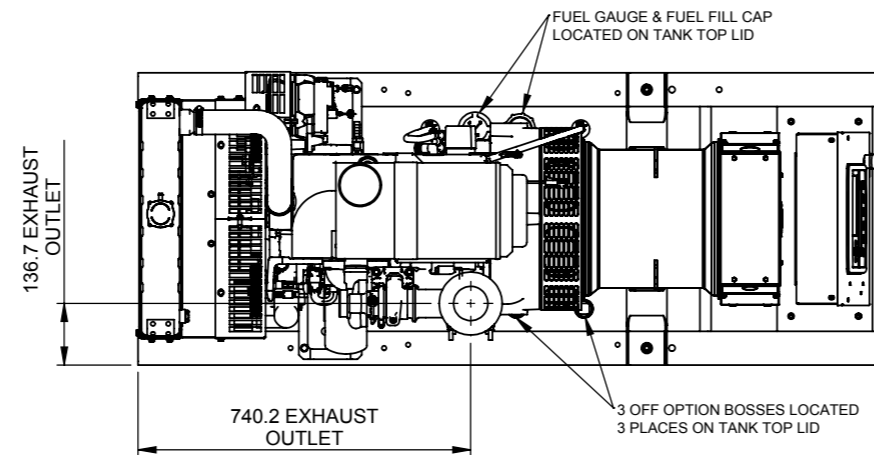
USEABLE FUEL CAPACITY: (INTEGRAL) 88L (BUNDED) 72L

OIL CAPACITY: 6.5 LITRES

COOLING CAPACITY: 14.7 LITRES

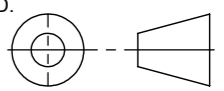
GENERATOR IS TO BE PLACED ON A FLAT FLOOR OR CONCRETE BASE

GEN SET MODEL	ENGINE	ALTERNATOR	DRY WEIGHT (Kg)	WET WEIGHT (Kg)
BCJD 21-60 IT4	4024TF281	PI 144D	579	675
BCJD 30-60 IT4	4024TF281	PI 144G	618.5	714.5



B	BASEFRAME CHANGED, LENGTH INCREASED	AR	14/05/07
C	ALL ALTERNATOR COMBINATIONS NOW SHOWN. DWG INFO UPDATED	IWR	28/02/13

REV	DETAILS	APP'D	DATE
-----	---------	-------	------

NOTES - MECHANICAL
 TOLERANCES:
 GENERAL TOLERANCES: +/- 5mm
 FABRICATION: +/- 3mm
 HOLE CENTRES: +/- 1mm
 OTHER TOLERANCES AS OTHERWISE STATED WHERE REQUIRED
 GEOMETRICAL AND OTHER TOLERANCES AS STATED.

 THIRD ANGLE PROJECTION

DESCRIPTION
 4024TF281 OPEN FRAME 1 SALES ASSY (60Hz)

SHEET 1 of 1	
CREATED BY:	N JONES
DATE:	
MODIFIED BY:	I RUTTER
DATE:	28/02/2013
CHECKED BY:	S BEAN
DATE:	28/02/2013
ISSUE:	C

DRAWING No:
JGA025

broadcrown
 Broadcrown Limited (Group Headquarters)
 Airfield Industrial Estate, Hixon, Stafford,
 ST18 0PF, United Kingdom.
 tel: +44 (0) 1889 272200
www.broadcrown.com



MATERIAL:	
FINISH:	