

FOR INDIVIDUAL GEN SET MODEL TYPES SEE BROADCAST LITERATURE

ENGINE TYPE: 4024TF281

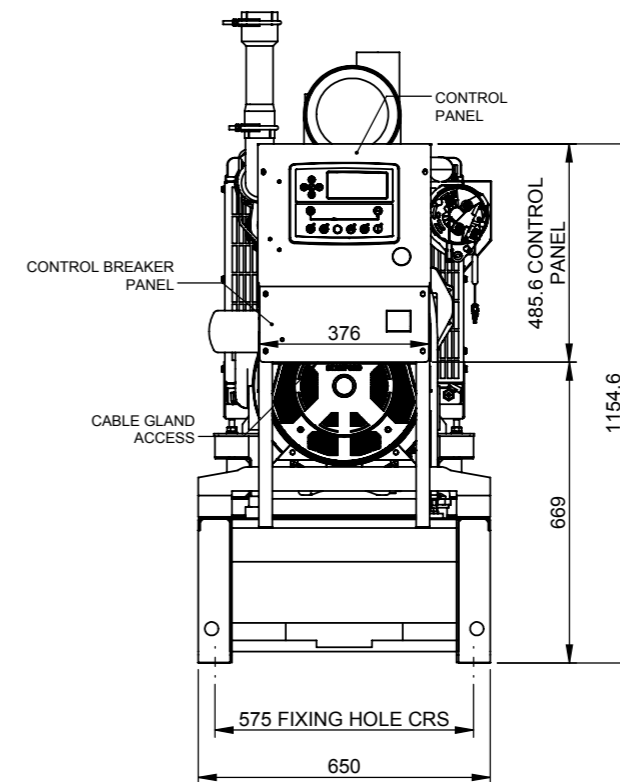
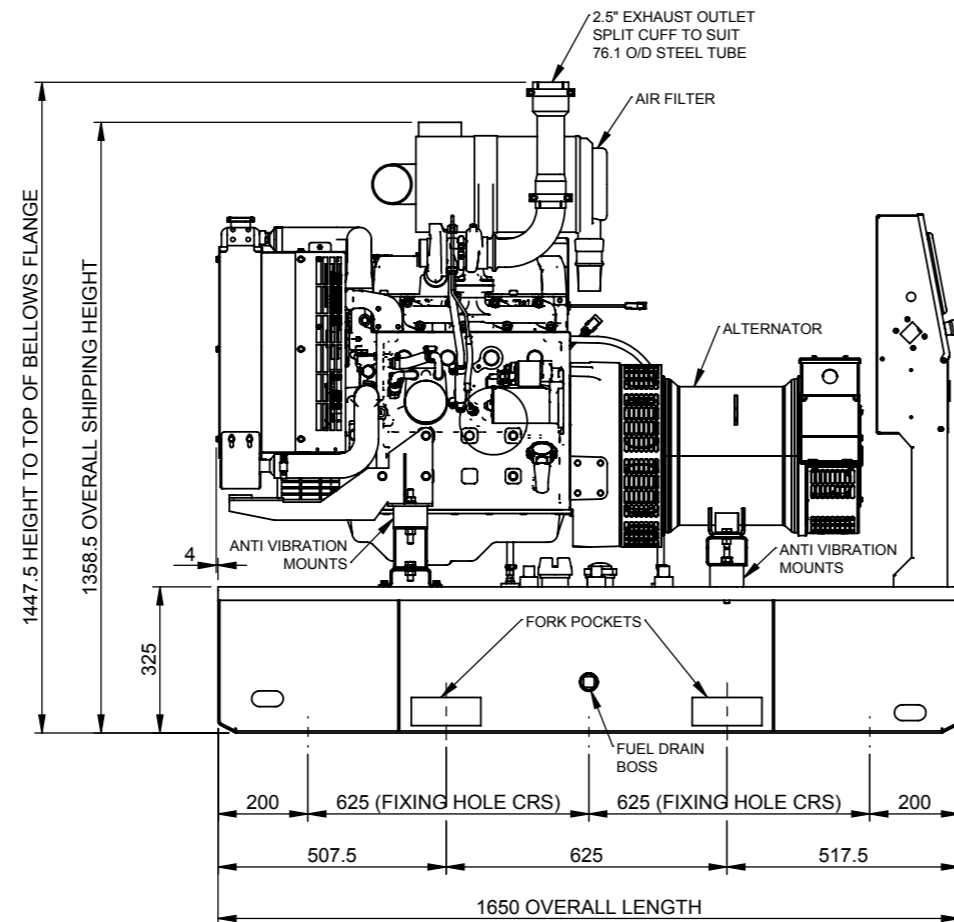
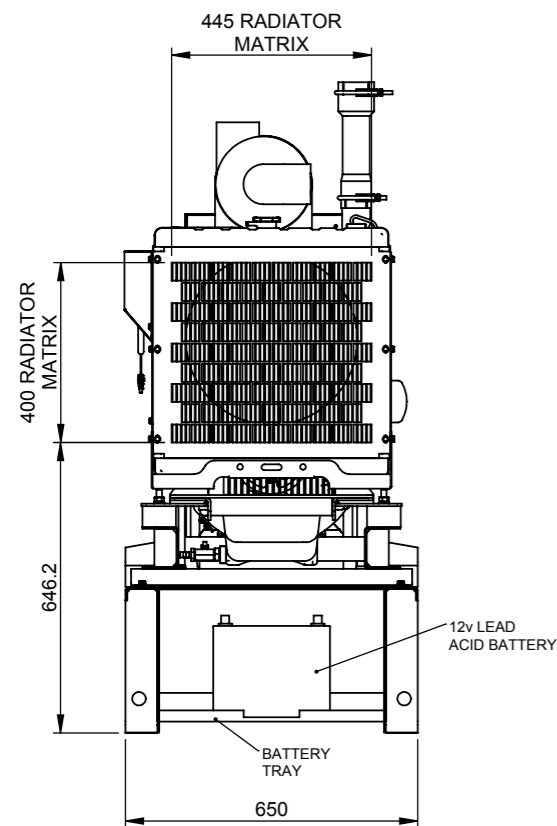
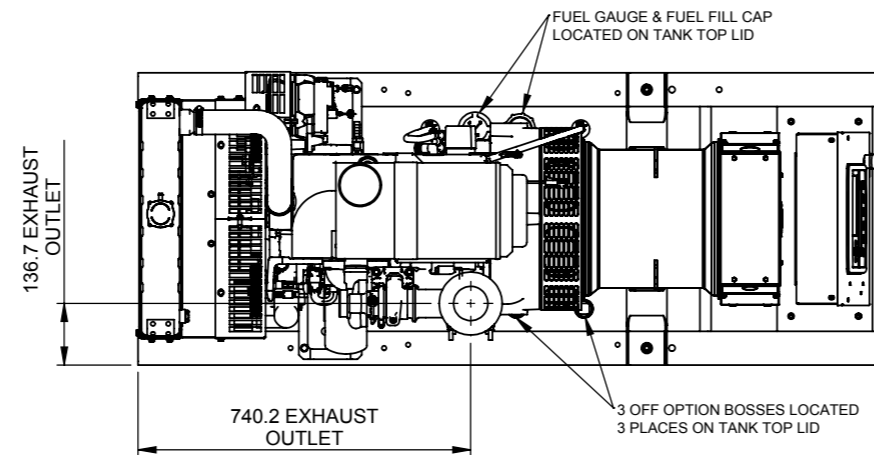
USEABLE FUEL CAPACITY: (INTEGRAL) 88L (BUNDED) 72L

OIL CAPACITY: 6.5 LITRES

COOLING CAPACITY: 14.7 LITRES

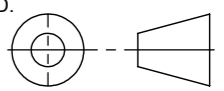
GENERATOR IS TO BE PLACED ON A FLAT FLOOR OR CONCRETE BASE

| GEN SET MODEL | ENGINE | ALTERNATOR | DRY WEIGHT (Kg) | WET WEIGHT (Kg) |
|----------------|-----------|------------|-----------------|-----------------|
| BCJD 21-60 IT4 | 4024TF281 | PI 144D | 579 | 675 |
| BCJD 30-60 IT4 | 4024TF281 | PI 144G | 618.5 | 714.5 |



| | | | |
|---|---|-----|----------|
| B | BASEFRAME CHANGED, LENGTH INCREASED | AR | 14/05/07 |
| C | ALL ALTERNATOR COMBINATIONS NOW SHOWN. DWG INFO UPDATED | IWR | 28/02/13 |

| REV | DETAILS | APP'D | DATE |
|-----|---------|-------|------|
|-----|---------|-------|------|

NOTES - MECHANICAL
 TOLERANCES:
 GENERAL TOLERANCES: +/- 5mm
 FABRICATION: +/- 3mm
 HOLE CENTRES: +/- 1mm
 OTHER TOLERANCES AS OTHERWISE STATED WHERE REQUIRED
 GEOMETRICAL AND OTHER TOLERANCES AS STATED.

 THIRD ANGLE PROJECTION

DESCRIPTION
 4024TF281 OPEN FRAME 1 SALES ASSY (60Hz)

| | |
|--------------|------------|
| SHEET 1 of 1 | |
| CREATED BY: | N JONES |
| DATE: | |
| MODIFIED BY: | I RUTTER |
| DATE: | 28/02/2013 |
| CHECKED BY: | S BEAN |
| DATE: | 28/02/2013 |
| ISSUE: | C |

DRAWING No:
JGA025

broadcrown
 Broadcrown Limited (Group Headquarters)
 Airfield Industrial Estate, Hixon, Stafford,
 ST18 0PF, United Kingdom.
 tel: +44 (0) 1889 272200
 www.broadcrown.com



| | |
|-----------|--|
| MATERIAL: | |
| FINISH: | |