

FOR INDIVIDUAL GEN SET MODEL TYPES SEE BROADCAST LITERATURE

ENGINE TYPE: 3029DF128

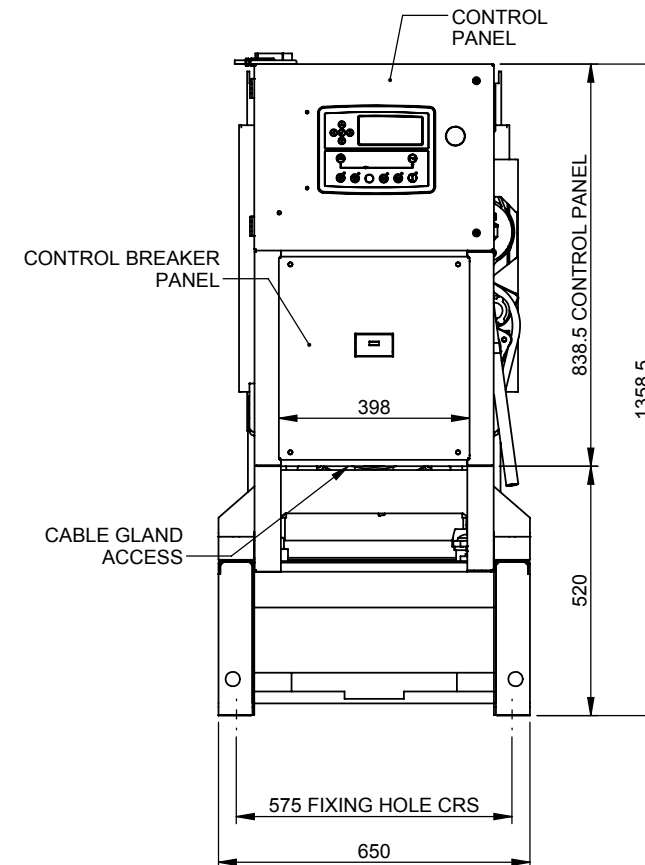
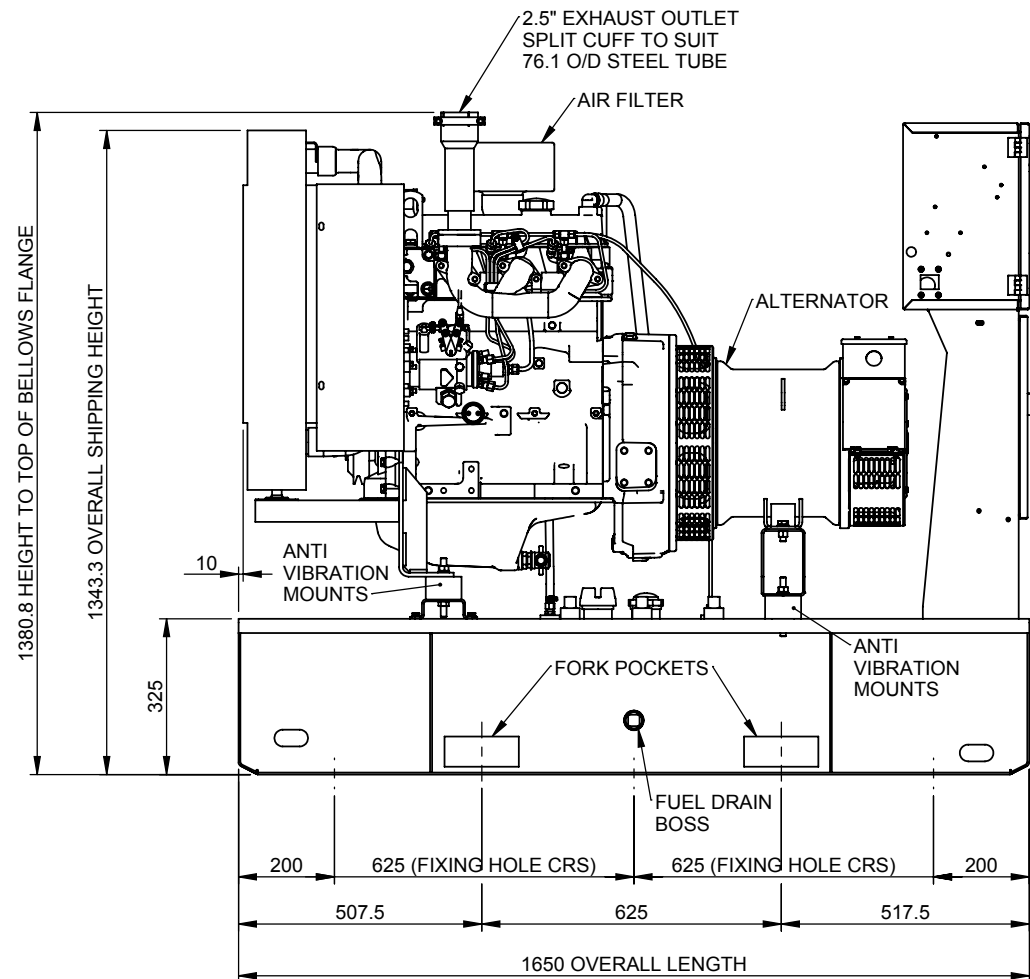
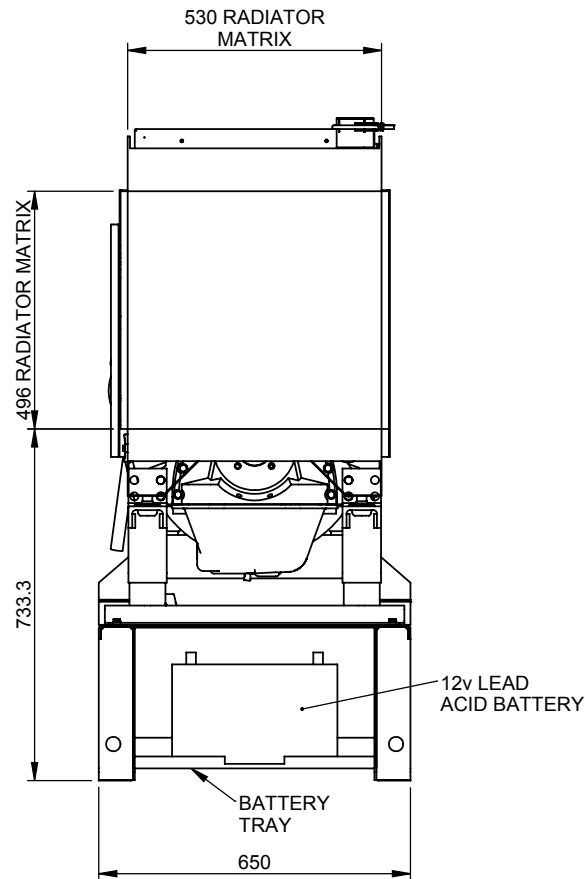
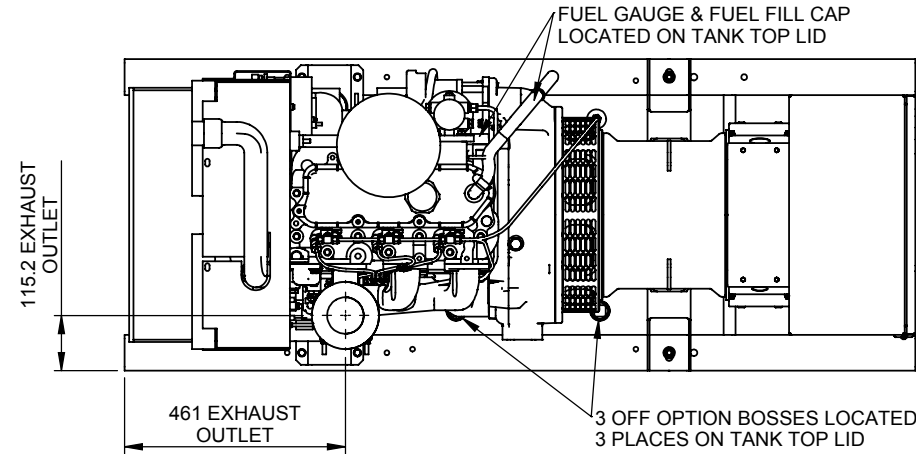
USEABLE FUEL CAPACITY: (INTEGRAL) 88L (BUNDED) 72L

OIL CAPACITY: 6 LITRES

COOLING CAPACITY: 14.5 LITRES

GENERATOR IS TO BE PLACED ON A FLAT FLOOR OR CONCRETE BASE

GEN SET MODEL	ENGINE	ALTERNATOR	DRY WEIGHT (Kg)	WET WEIGHT (Kg)
BCJD 22-50	3029DF128	PI 144D	649	735
BCJD 30-50	3029DF128	PI 144F	672	758
BCJD 15-50SP	3029DF128	PI 144D	649	735
BCJD 20-50SP	3029DF128	PI 144F	672	758
BCJD 22-50SP	3029DF128	PI 144G	689	775

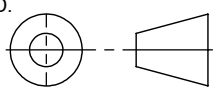


MATERIAL:

FINISH:

B	Alternator Changed from BC1184 to P1144	SJB	7/9/10
C	DWG UPDATED TO SHOW ALL ENGINE / ALTERNATOR COMBINATIONS	IWR	28/02/13

REV	DETAILS	APP'D	DATE
-----	---------	-------	------

NOTES - MECHANICAL
 TOLERANCES:
 GENERAL TOLERANCES: +/- 5mm
 FABRICATION: +/- 3mm
 HOLE CENTRES: +/- 1mm
 OTHER TOLERANCES AS OTHERWISE STATED WHERE REQUIRED
 GEOMETRICAL AND OTHER TOLERANCES AS STATED.

 THIRD ANGLE PROJECTION

DESCRIPTION
 3029DF128 OPEN FRAME 1 SALES ASSY (50 Hz)

SHEET 1 of 1
 CREATED BY: P RUTTER
 DATE:
 MODIFIED BY: I RUTTER
 DATE: 28/02/2013
 CHECKED BY: S BEAN
 DATE: 28/02/2013
 ISSUE: C

DRAWING No:
JGA026

broadcrown
 Broadcrown Limited (Group Headquarters)
 Airfield Industrial Estate, Hixon, Stafford,
 ST18 0PF, United Kingdom.
 tel: +44 (0) 1889 272200
 www.broadcrown.com

