

FOR INDIVIDUAL GEN SET MODEL TYPES SEE BROADCASTCROWN LITERATURE

ENGINE TYPE: 3029DF
ALTERNATOR: PI144E/F (F ILLUSTRATED)

USEABLE FUEL CAPACITY: 105L

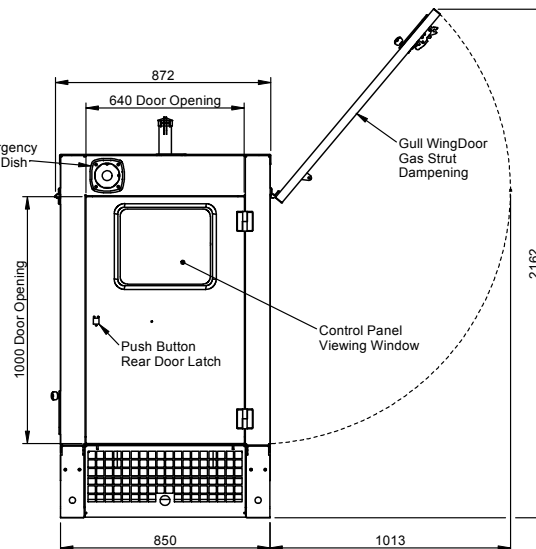
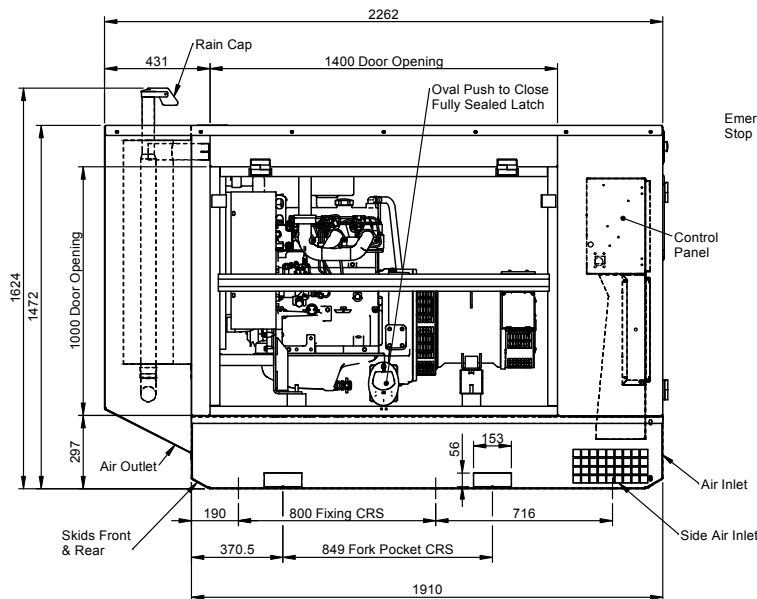
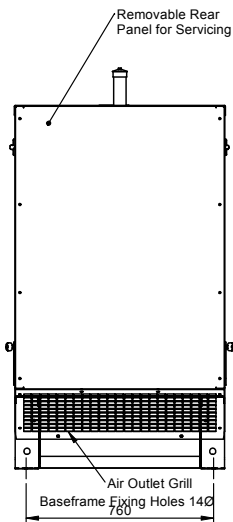
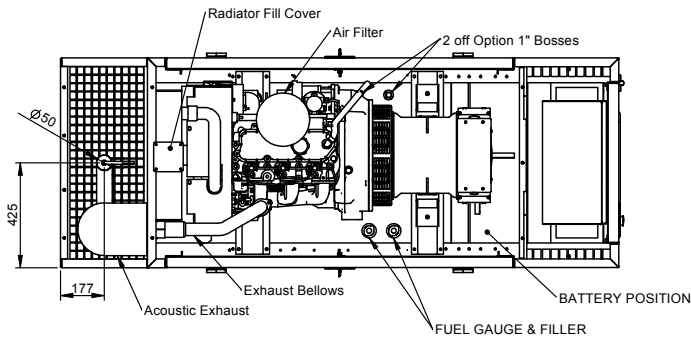
SHIPPING WEIGHT (WITH OIL): 885Kg - 925Kg

WET WEIGHT 50/50 GLYCOL & FUEL: 990Kg - 1030Kg

OIL CAPACITY: 6 LITRES
COOLING CAPACITY: 14.5 LITRES

GENERATOR IS TO BE PLACED ON A FLAT FLOOR OR CONCRETE BASE

PLEASE NOTE WEIGHTS MAY VARY DEPENDING ON ALTERNATOR COMBINATION



MATERIAL:	
FINISH:	

B	Emergency Stop Dish Moved	NJ	27/10/3
C	Fuel Capacity Corrected, Weights Adjusted	PR	15/1/4
D	Baseframe Details Updated, Weights Corrected, Battery Position Moved	PR	24/2/6
E	Alternator Changed from BCI184 to PI144	SJB	2/9/10

REV	DETAILS	APP'D	DATE
-----	---------	-------	------

NOTES - MECHANICAL
TOLERANCES:
GENERAL TOLERANCES: +/- 5mm
FABRICATION: +/- 3mm
HOLE CENTRES: +/- 1mm
OTHER TOLERANCES AS OTHERWISE STATED WHERE REQUIRED
GEOMETRICAL AND OTHER TOLERANCES AS STATED.

THIRD ANGLE PROJECTION

DESCRIPTION
JD3029DF Canopy 1 Sales Assy

SHEET 1 of 1

CREATED BY:	N JONES
DATE:	
MODIFIED BY:	S BEAN
DATE:	02/09/10
CHECKED BY:	P RUTTER
DATE:	02/09/10
ISSUE:	E

DRAWING No:
JGA001

BroadcastCrown
BroadcastCrown Limited (Group Headquarters)
Airfield Industrial Estate, Hixon, Stafford,
ST18 0PF, United Kingdom.
Tel: +44 (0) 1889 272200
www.broadcastcrown.com