

For Individual Gen-Set Model Types See Brodcrown Literature

Engine Type: JD6090HF485 Tier 3

Usable Fuel Capacity: (Integral) 665 Litres
(Bunded) 618 Litres

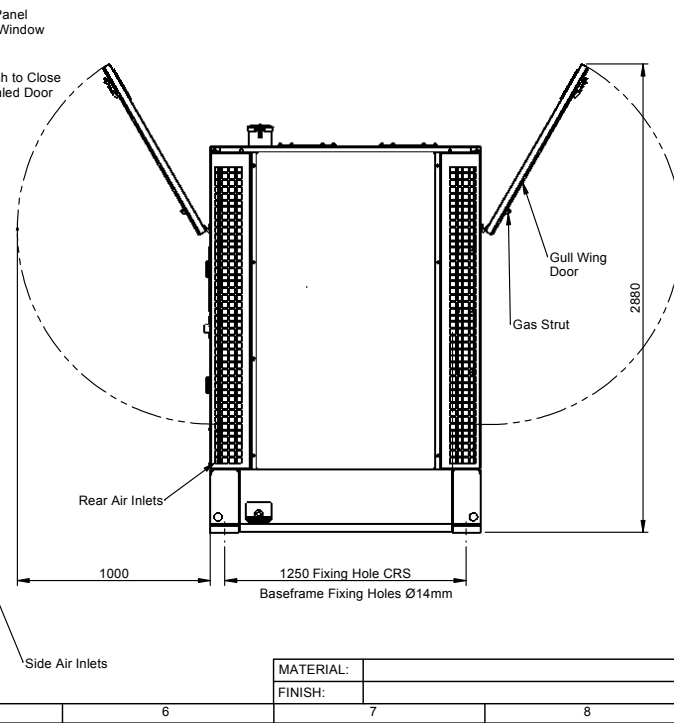
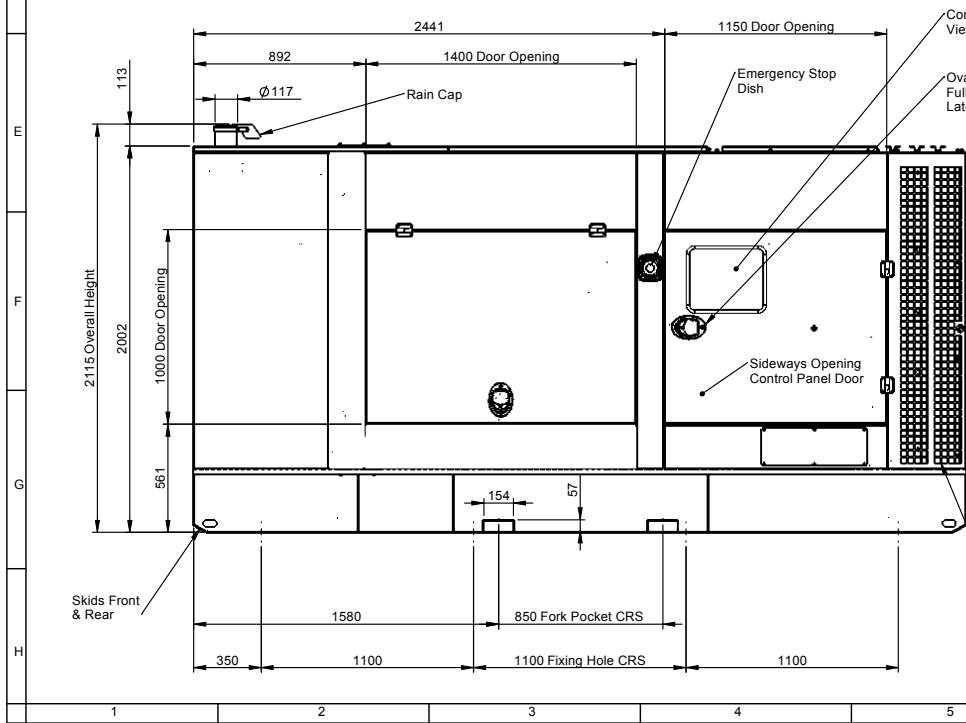
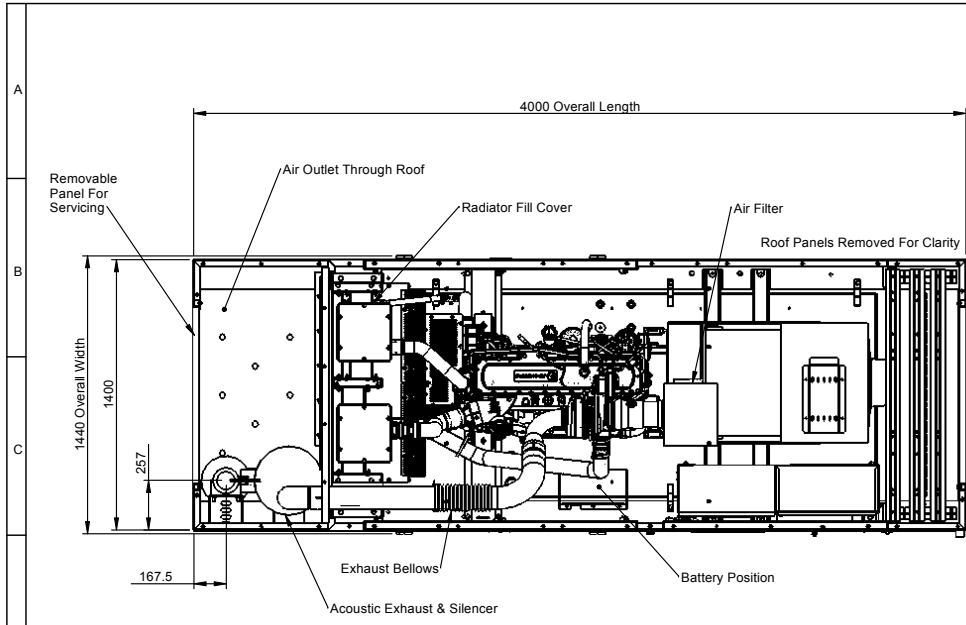
Oil Capacity: 31 Litres

Cooling Capacity: 36.7 Litres

Generator Is to Be Placed On a Flat Floor Or Concrete Base

Gen Set Model	Engine	Alternator	Weight (Dry)	Weight (Wet)
BCJD 250-60 T3	JD6090 HF485	UCDI274K	3289Kg	3909Kg
BCJD 275-60 T3	JD6090 HF485	HC444D	3519Kg	4139Kg

B	Sideways Opening Control Panel Door Updated	SJB	16/10/9
C	Drawing Template Updated	SJB	16/6/10



MATERIAL:	
FINISH:	

REV	DETAILS	APPD	DATE
-----	---------	------	------

NOTES - MECHANICAL
TOLERANCES:
GENERAL TOLERANCES: +/- 5mm
FABRICATION: +/- 3mm
HOLE CENTRES: +/- 1mm
OTHER TOLERANCES AS OTHERWISE STATED WHERE REQUIRED
GEOMETRICAL AND OTHER TOLERANCES AS STATED.

THIRD ANGLE PROJECTION

DESCRIPTION
Canopy 4A Regen 6090HF485 Sales Assy

SHEET 1 of 1
CREATED BY: S BEAN
DATE: 20/05/09
MODIFIED BY: S BEAN
DATE: 16/06/10
CHECKED BY: P RUTTER
DATE: 16/06/10
ISSUE: C

DRAWING No:
JGA090

Brodcrown Limited (Group Headquarters)
Airfield Industrial Estate, Hixon, Stafford,
ST18 0PF, United Kingdom.
tel: +44 (0) 1889 272200
www.brodcrown.com