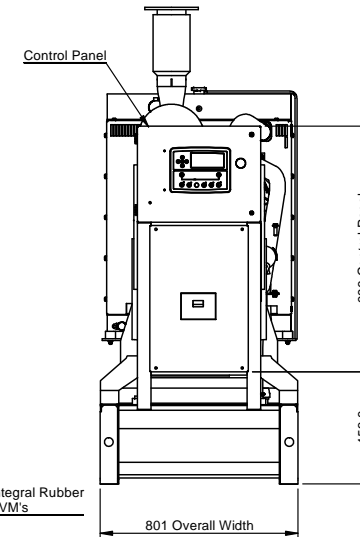
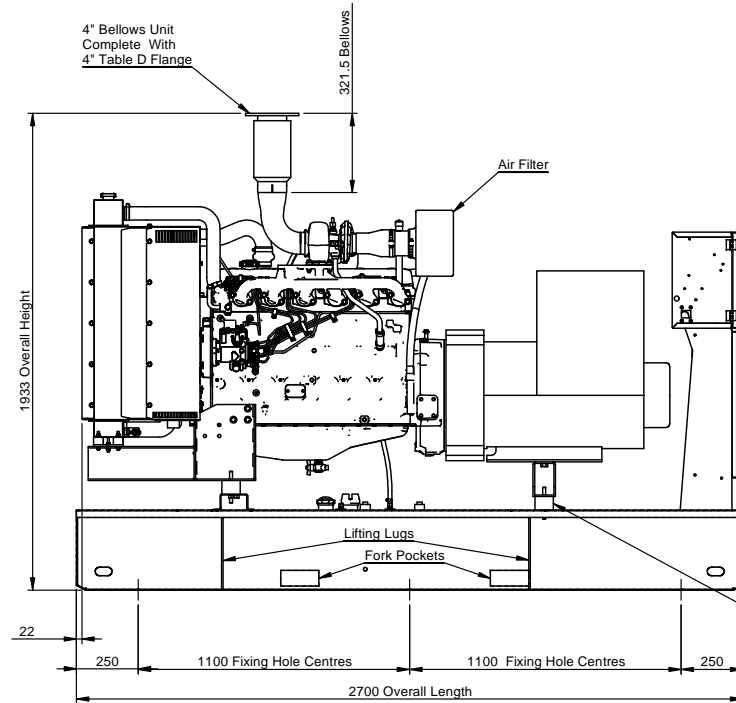
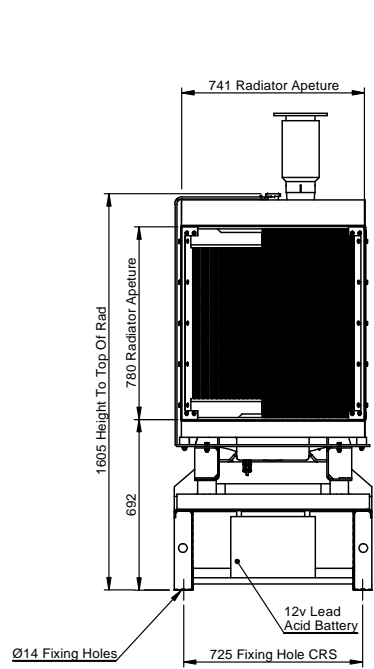
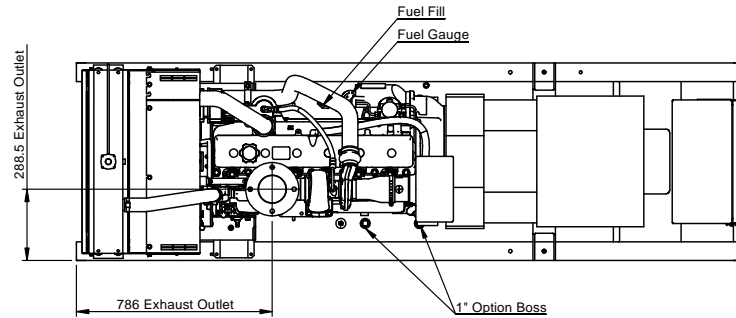


FOR INDIVIDUAL GEN SET MODEL TYPES SEE BROADCROWN LITERATURE

BC Ref	Engine	Alternator	Oil Capacity (L)	Cooling Capacity (L)	Dry Weight (Kg)	Wet Weight (Kg)
BCJD150-50	6068HF158	UCI274 E	20	29	1560	1844
BCJD150-60	6068HF158	UCI274 F	20	29	1598	1882

GENERATOR IS TO BE PLACED ON A FLAT FLOOR OR CONCRETE BASE

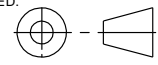
USEABLE TANK CAPACITY = 251L INTEGRAL / 225L BUNDED



MATERIAL:	
FINISH:	

A	New GA.	L.R	15.05.13
B	Radiator Aperture Dims Added.	L.R	31.10.13

REV	DETAILS	APP'D	DATE
-----	---------	-------	------

NOTES - MECHANICAL  
 TOLERANCES:  
 GENERAL TOLERANCES: +/- 5mm  
 FABRICATION: +/- 3mm  
 HOLE CENTRES: +/- 1mm  
 OTHER TOLERANCES AS OTHERWISE STATED WHERE REQUIRED  
 GEOMETRICAL AND OTHER TOLERANCES AS STATED.  
  
 THIRD ANGLE PROJECTION

DESCRIPTION  
 6068HF158 UCI274 E / F  
 Open Frame 4 Sales GA

SHEET 1 of 1
CREATED BY: L.Richards
DATE: 15.05.13
MODIFIED BY: L.Richards
DATE: 31.10.13
CHECKED BY: S.Bean
DATE: 04.11.2013
ISSUE: B

DRAWING No:  
**JGA161**  
  
 Broadcrown Limited (Group Headquarters)  
 Airfield Industrial Estate, Hixon, Stafford,  
 ST18 0PF, United Kingdom.  
 tel: +44 (0) 1889 272200  
[www.broadcrown.com](http://www.broadcrown.com)