

FOR INDIVIDUAL GEN-SET MODEL TYPES SEE BROADCASTCROWN LITERATURE

ENGINE TYPE: 6068HF
ALTERNATOR: UC1274 H/F

USEABLE FUEL CAPACITY: 450L

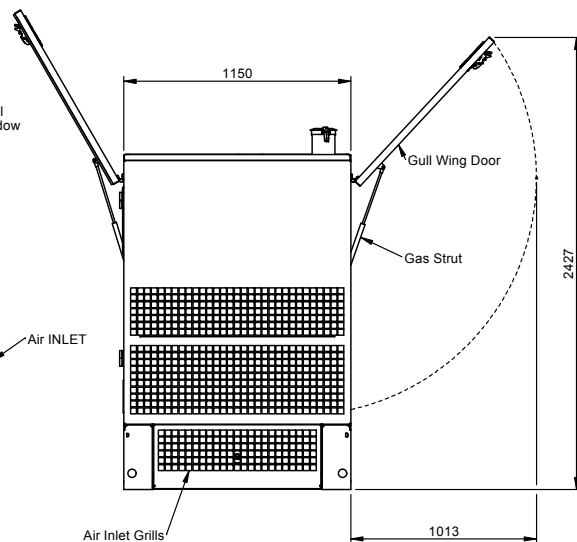
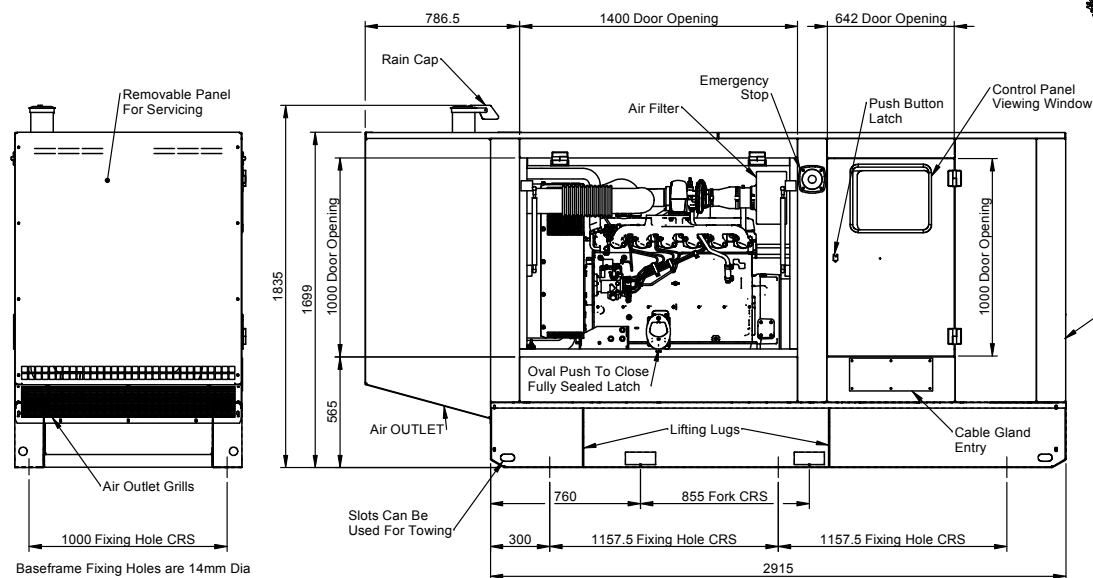
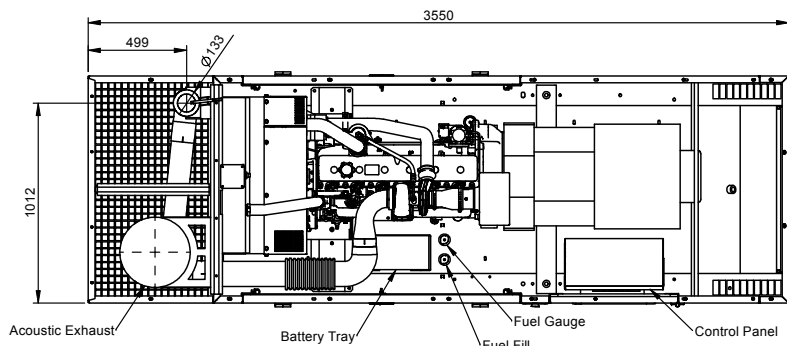
SHIPPING WEIGHT (WITHOIL): 2094Kg - 2190Kg

WET WEIGHT
50.50 GLYCOL & FUEL: 2510Kg - 2605Kg

OIL CAPACITY: 19L
COOLANT CAPACITY: 26L

GENERATOR IS TO BE PLACED ON A FLAT FLOOR OR CONCRETE BASE

PLEASE NOTE WEIGHTS MAY VARY DEPENDING ON
ALTERNATOR COMBINATION



C	Stop Dish Moved Rear & Front Panel Detail Altered	PR	20/10/3
D	Exhaust Detail Changed To Reflect Production Drawings	PR	3/11/3
E	Fuel Capacity Corrected Weights Altered	PR	22/1/4
F	Drawing Updated	SJB	27/5/10

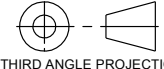
REV	DETAILS	APP'D	DATE
-----	---------	-------	------

NOTES - MECHANICAL

TOLERANCES:

GENERAL TOLERANCES: +/- 5mm
FABRICATION: +/- 3mm
HOLE CENTRES: +/- 1mm
OTHER TOLERANCES AS OTHERWISE STATED WHERE REQUIRED

GEOMETRICAL AND OTHER TOLERANCES AS STATED.



DESCRIPTION

JD 6068HF Acoustic Canopy 3

SHEET 1 of 1

CREATED BY: P RUTTER

DATE:

MODIFIED BY: S BEAN

DATE: 27/05/10

CHECKED BY: P RUTTER

DATE: 27/05/10

ISSUE: F

DRAWING No:

JGA007

broadcrown
Broadcrown Limited (Group Headquarters)
Airfield Industrial Estate, Hixon, Stafford,
ST18 0PF, United Kingdom.
tels: +44 (0) 1889 272200
www.broadcrown.com

MATERIAL:	
FINISH:	