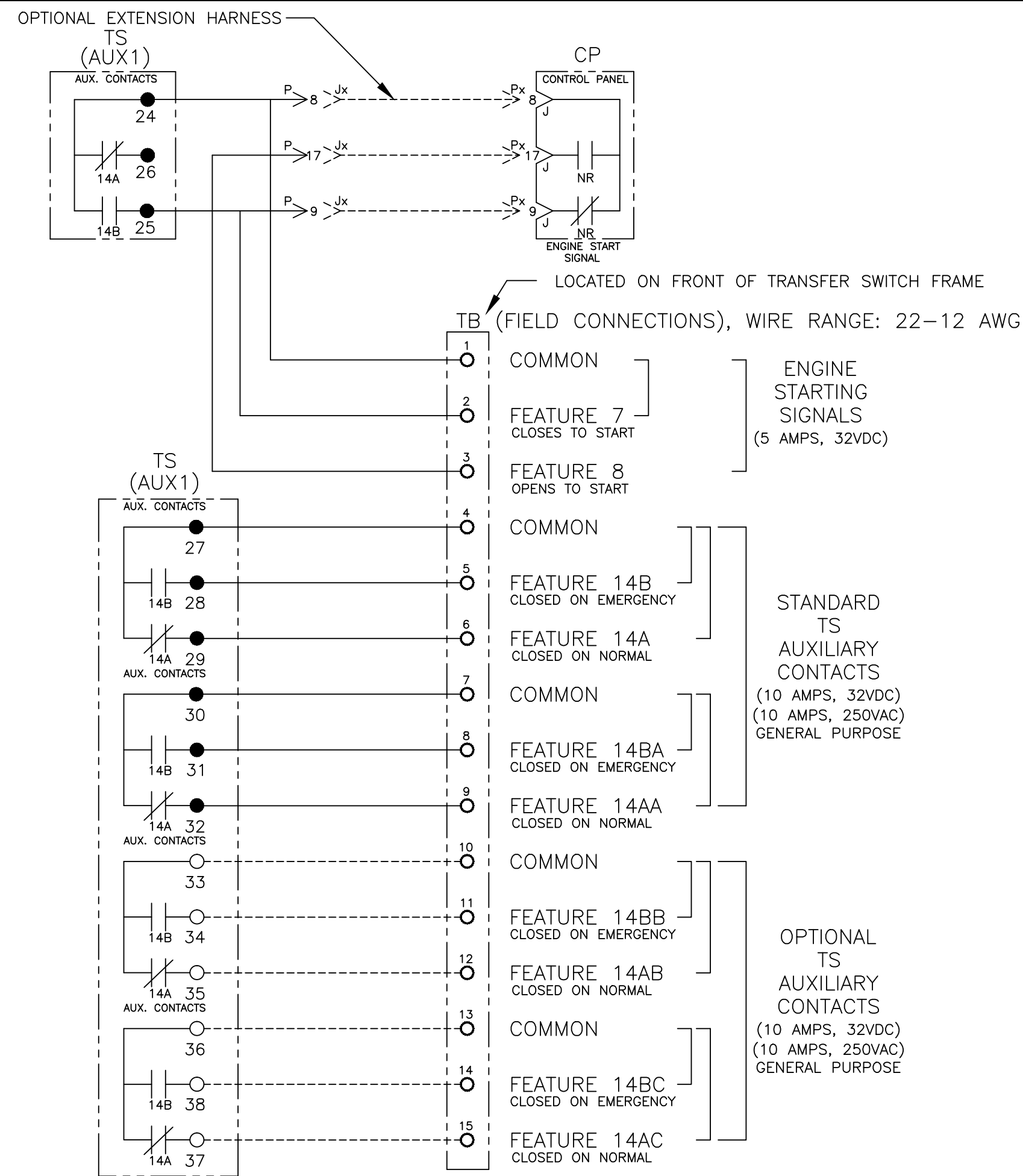
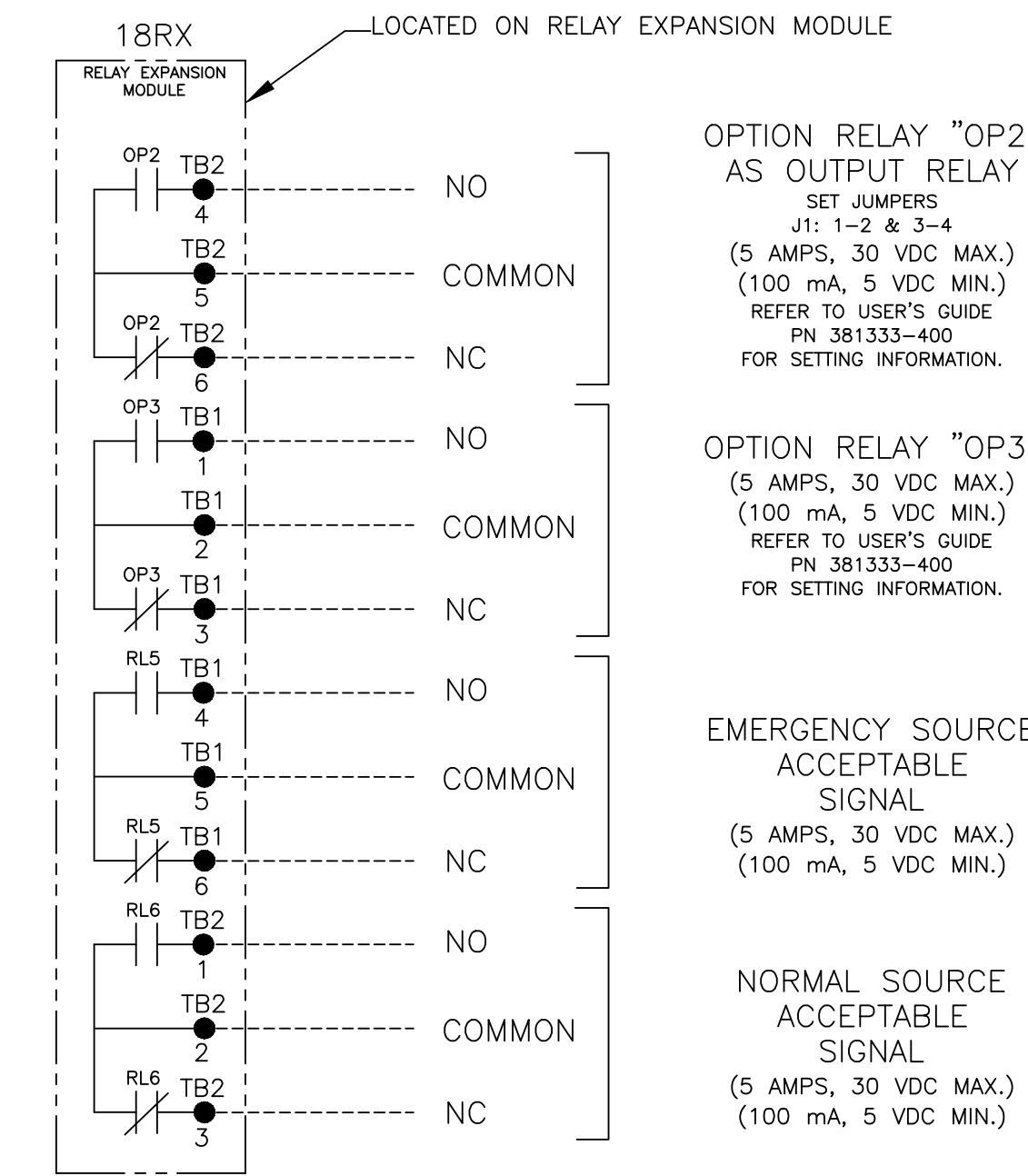


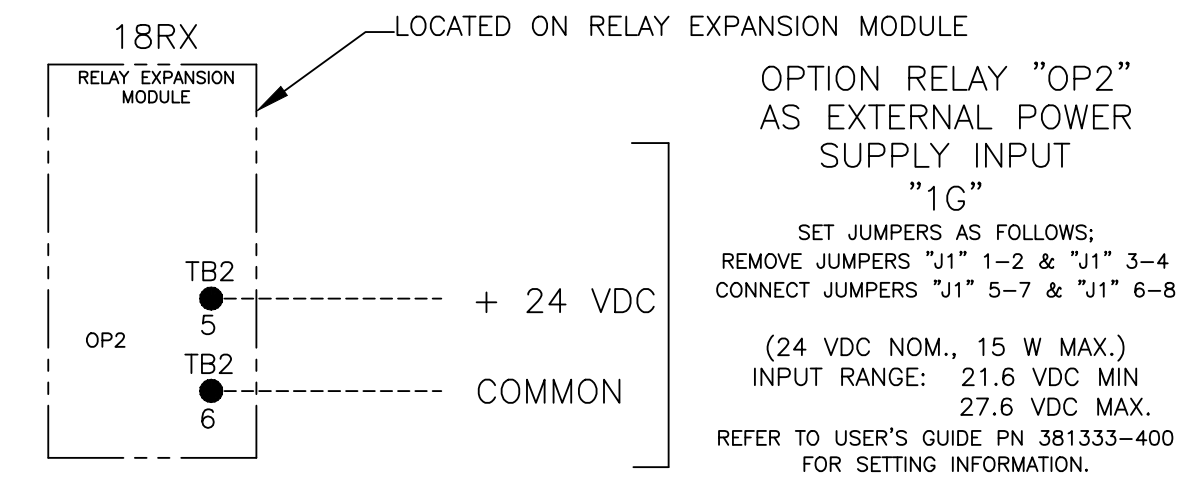
FIELD CONNECTIONS



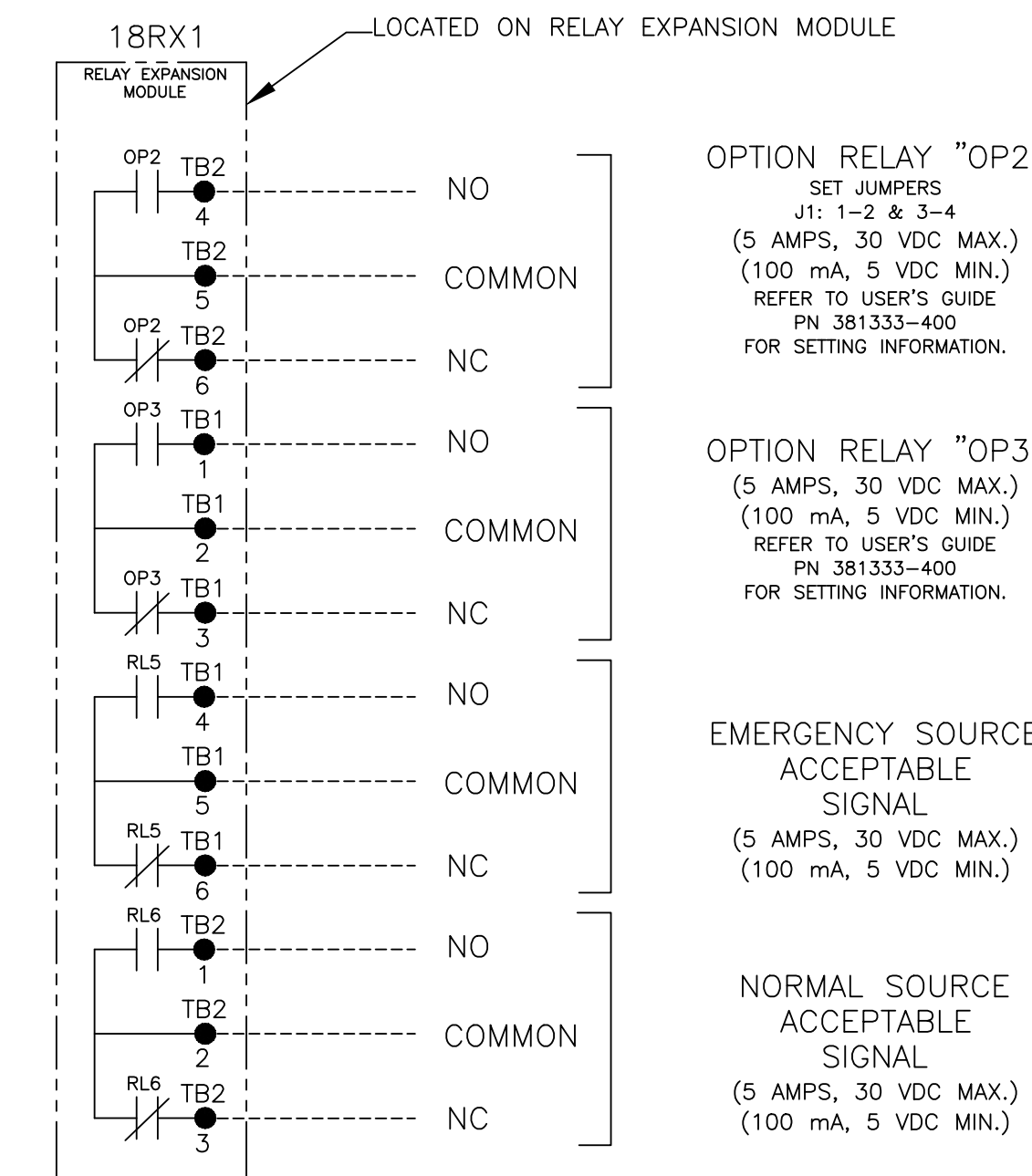
OPTIONAL ACCESSORY 18RX (RELAY EXPANSION MODULE)



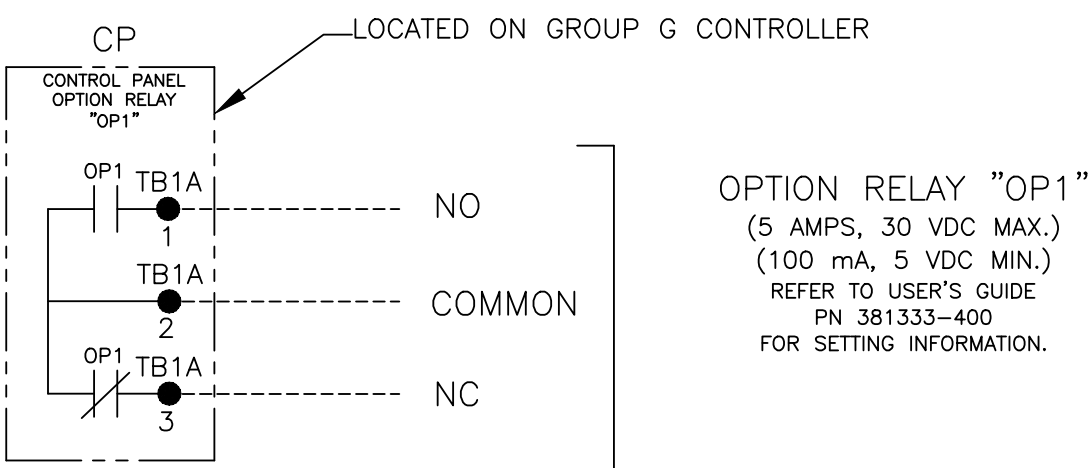
"OP2" OPTIONAL USES



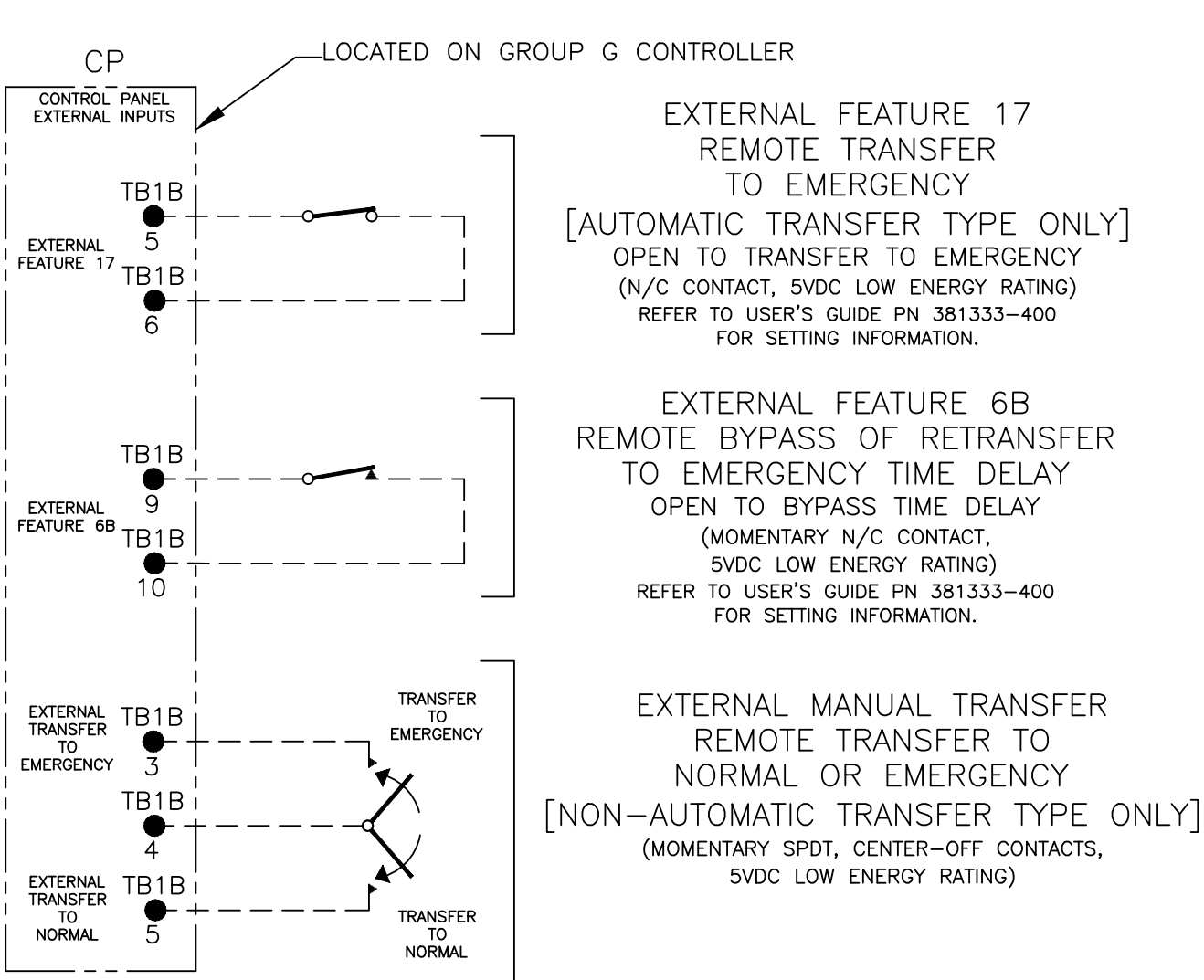
OPTIONAL ACCESSORY 18RX1 (SECOND RELAY EXPANSION MODULE)



CONTROLLER OPTION RELAY "OP1" (STANDARD)



CONTROLLER REMOTE CONTROL FEATURES



PROJECT NAME:		245204	BK	BK	11/07/13
WIRING DIAGRAM		ISSUE	BY	APP.	DATE
300 SERIES (H3ATS/H3NTS) 3PH 600-1200 AMPS		SCALE NONE SIZE DS			
"H" FRAME, GROUP G CONTROLS		COMPUTER GENERATED DRAWING			
DRAWN BY	DJB	11/07/13	MANUFACTURING TOLERANCES TO BE IN ACCORDANCE WITH ASCO PROCEDURE MP-1-003. FOR PLASTIC PARTS SEE MP-1-055.		
CHECKED	BK	11/07/13	PROPERTY OF ASCO POWER TECHNOLOGIES. USE PERMITTED FOR OUR WORK ONLY. ALL RIGHTS OF DESIGN OR INVENTION ARE RESERVED.		
PROJECT APPROVAL	BK	11/07/13	ASCO POWER TECHNOLOGIES, L.P.		
FINAL APPROVAL			FLORHAM PARK, NEW JERSEY 07932 U.S.A.		
DWG. NO. 1001657		DRAWING - ECN NO. 245204 SHEET 2 OF 6			

8

7

6

5

4

3

2

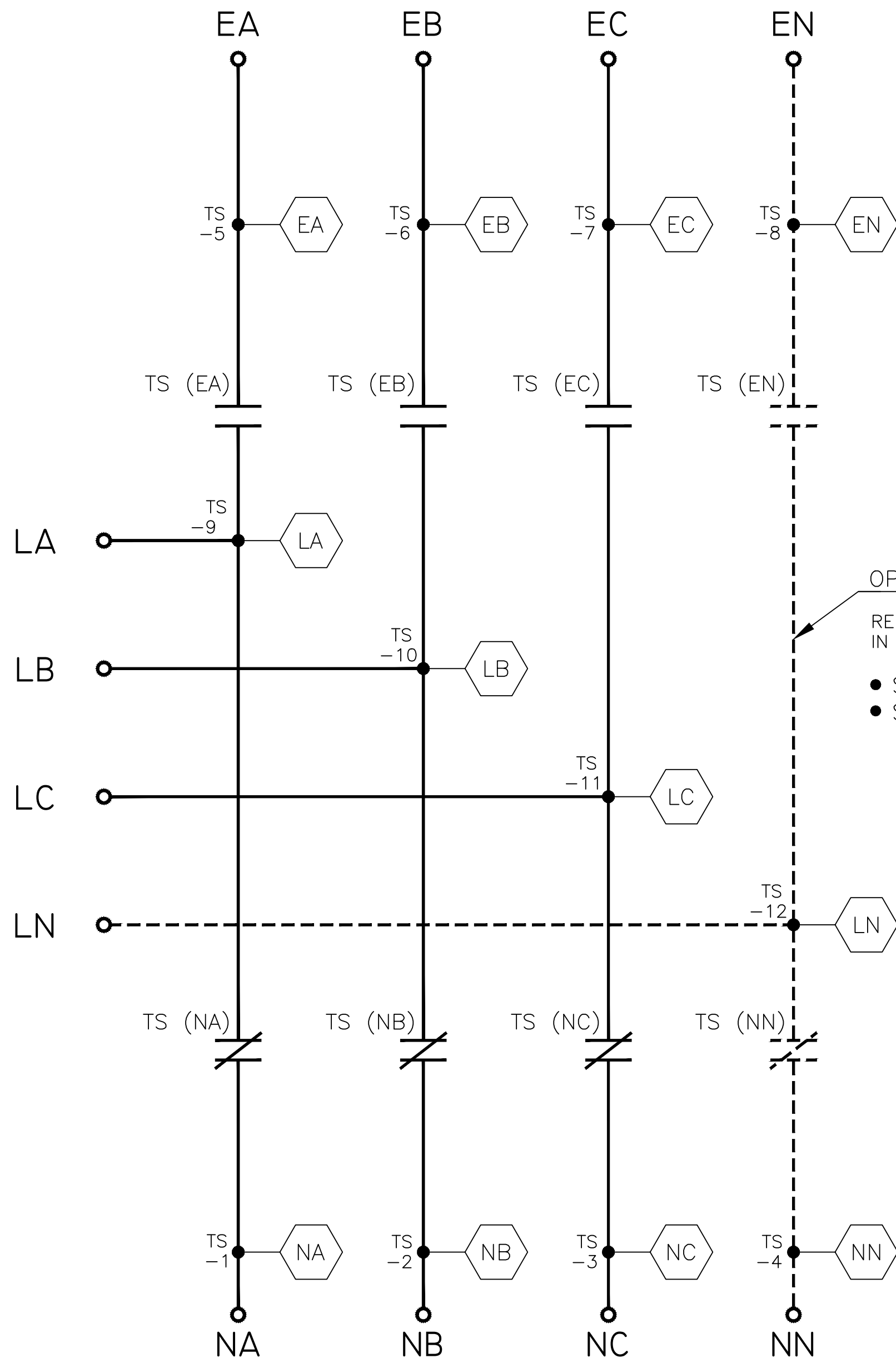
1

MAIN POWER POLES

TS OPERATOR CIRCUIT

EMERGENCY

NORMAL



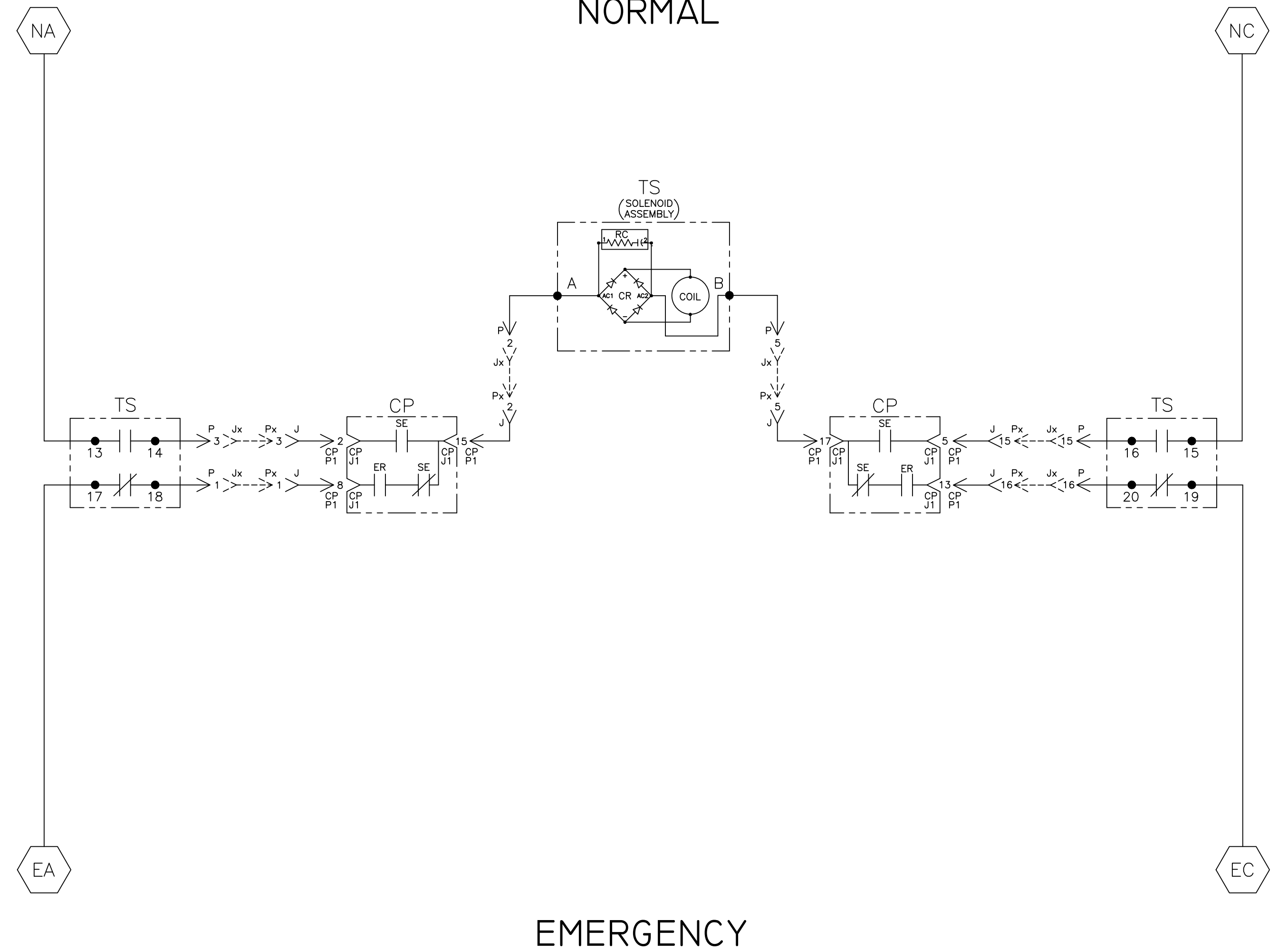
LOAD

OPTIONAL NEUTRAL TYPES
 REFER TO "EXPLANATION OF CATALOG NUMBER CODES"
 IN CATALOG NUMBER CHART ON SHEET 1.

- SWITCHING CONTACTS
- SOLID BUS PLATE

NORMAL

NOTE:
 ATS/NTS SHOWN CLOSED ON NORMAL SOURCE.



EMERGENCY

TS	SOLENOID POSITION			
	CLOSED BEFORE NORMAL	BEFORE TDC	TDC	CLOSED BEFORE EMERG
13-14				
15-16				
17-18				
19-20				

TDC (TOP DEAD CENTER)
 TRANSFER SWITCH TEST & ADJUSTMENT PROCEDURE
 SPECIFIES CONTROL CUT-OFF (CONTACT OPENING)
 SETTING.

PROJECT NAME: **WIRING DIAGRAM**

300 SERIES (H3ATS/H3NTS) 3PH 600-1200 AMPS
 "H" FRAME, GROUP G CONTROLS

ASCO POWER TECHNOLOGIES, L.P.
 FLORHAM PARK, NEW JERSEY 07932 U.S.A.

REV. TO SHEET: 245204 BK BK 11/07/13
 ECN NO. BY APP. DATE

SCALE: NONE SIZE DS
 DWG. NO. 1001657
 DRAWING REV. 245204 SHEET 3 OF 6

8

7

6

5

4

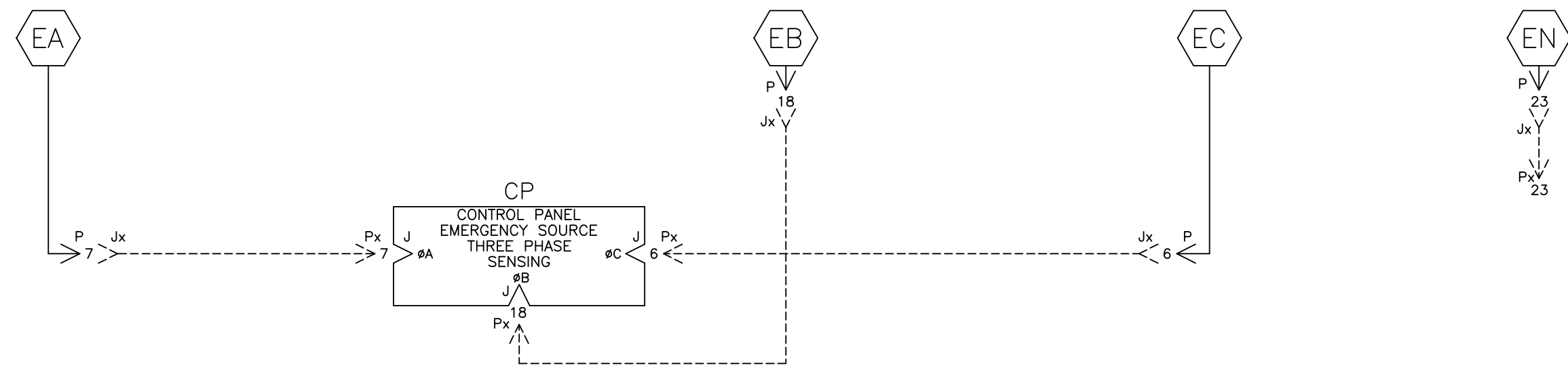
3

2

1

EMERGENCY SOURCE CIRCUITS

EMERGENCY



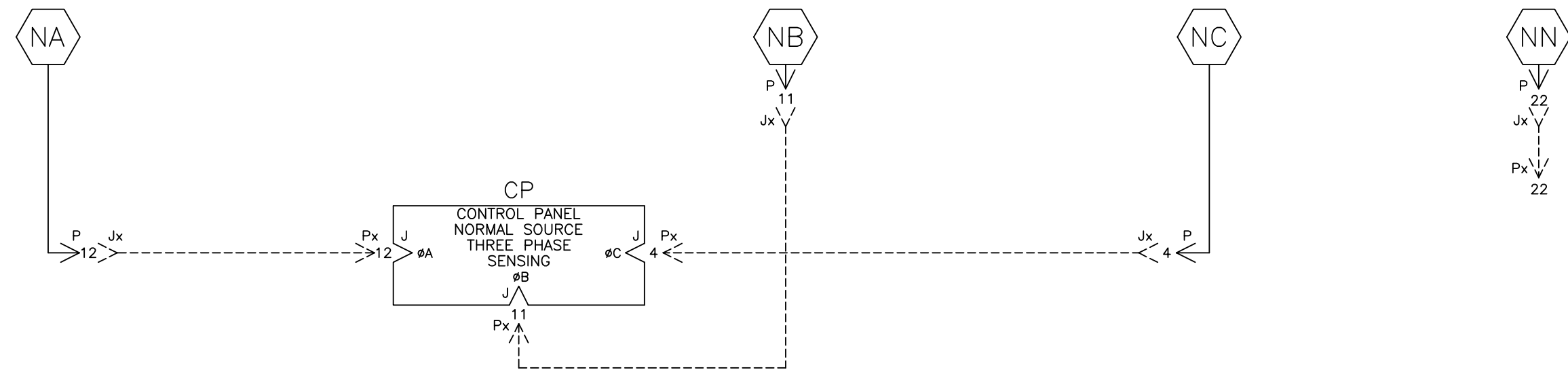
LOAD TERMINAL CIRCUITS

LOAD

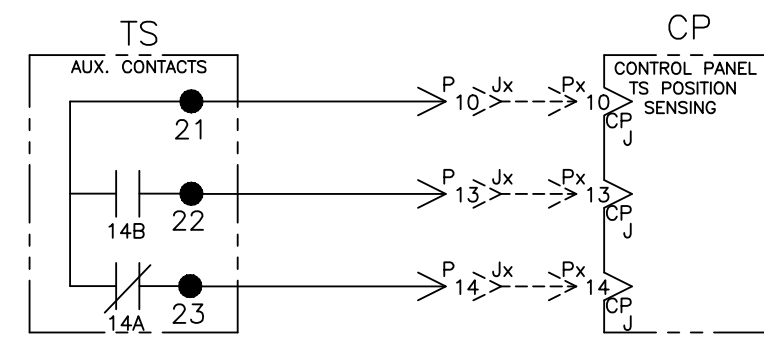


NORMAL SOURCE CIRCUITS

NORMAL



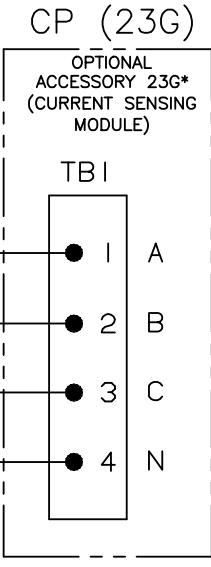
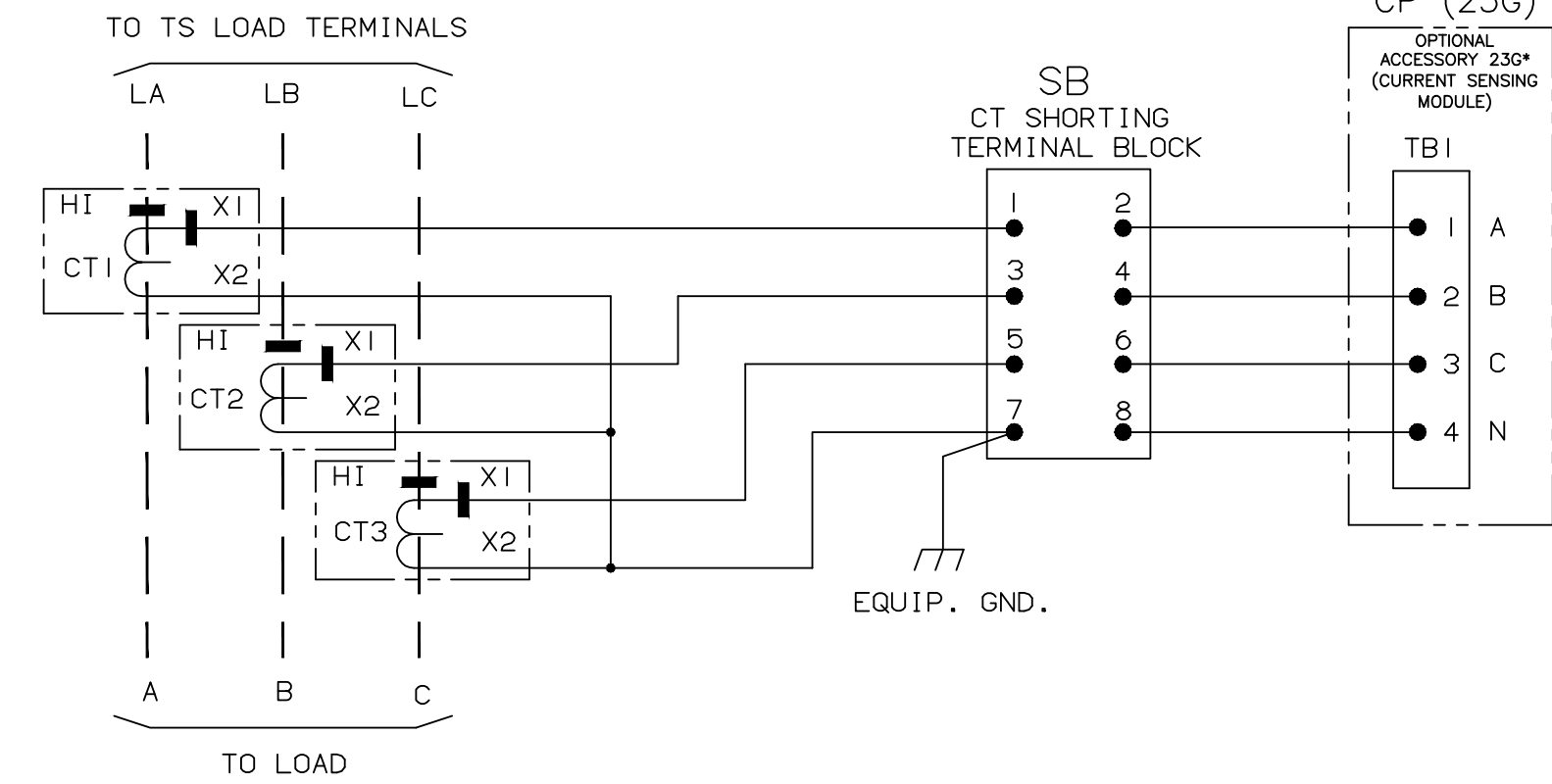
CONTROL CIRCUITS



ADDITIONAL CIRCUITS

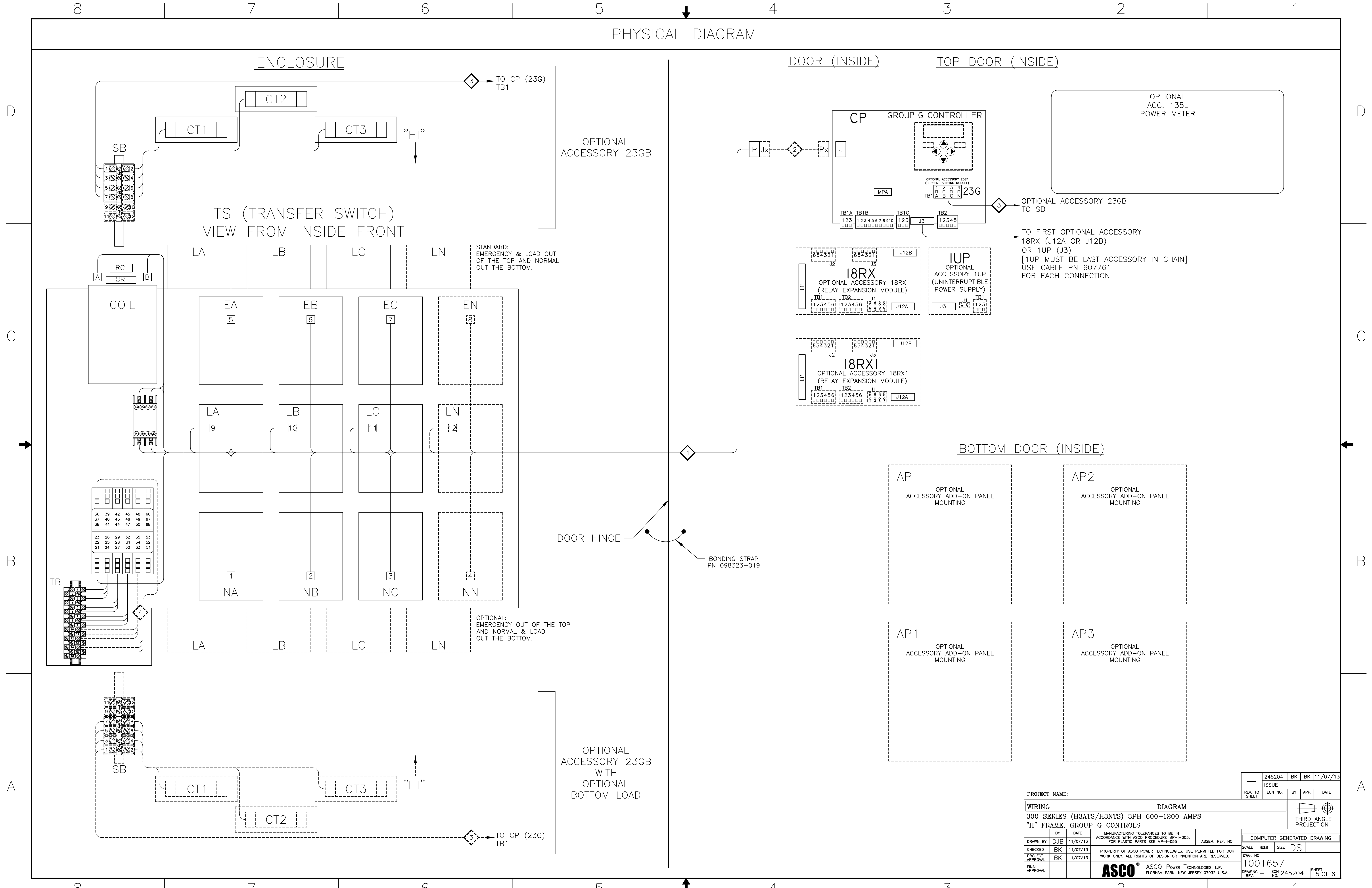
OPTIONAL ACCESSORY 23GB (LOAD CURRENT METERING)

SWITCH RATING	CT RATIO
600A	600:5A
800A	800:5A
1000A	1200:5A
1200A	1200:5A



PROJECT NAME:		245204	BK	BK	11/07/13
WIRING		ISSUE			
300 SERIES (H3ATS/H3NTS) 3PH 600-1200 AMPS		DIAGRAM			
"H" FRAME, GROUP G CONTROLS		THIRD ANGLE PROJECTION			
DRAWN BY	DJB	DATE	11/07/13	ASSEM. REF. NO.	
CHECKED	BK	DATE	11/07/13	PROPERTY OF ASCO POWER TECHNOLOGIES. USE PERMITTED FOR OUR WORK ONLY. ALL RIGHTS OF DESIGN OR INVENTION ARE RESERVED.	SCALE NONE SIZE DS
PROJECT APPROVAL	BK	DATE	11/07/13	ASCO® ASCO Power Technologies, L.P. FLOHAM PARK, NEW JERSEY 07932 U.S.A.	DWG. NO. 1001657
FINAL APPROVAL		DATE			DRAWING REV. ECN NO. 245204 SHEET 4 OF 6

PHYSICAL DIAGRAM



ENCLOSURE

TS (TRANSFER SWITCH)
VIEW FROM INSIDE FRONT

DOOR (INSIDE)

TOP DOOR (INSIDE)

BOTTOM DOOR (INSIDE)

OPTIONAL
ACCESSORY 23GB

STANDARD:
EMERGENCY & LOAD OUT
OF THE TOP AND NORMAL
OUT THE BOTTOM.

OPTIONAL:
EMERGENCY OUT OF THE TOP
AND NORMAL & LOAD
OUT THE BOTTOM.

OPTIONAL
ACCESSORY 23GB
WITH
OPTIONAL
BOTTOM LOAD

OPTIONAL
ACC. 135L
POWER METER

OPTIONAL ACCESSORY 23GB
TO SB

TO FIRST OPTIONAL ACCESSORY
18RX (J12A OR J12B)
OR 1UP (J3)
[1UP MUST BE LAST ACCESSORY IN CHAIN]
USE CABLE PN 607761
FOR EACH CONNECTION

DOOR HINGE

BONDING STRAP
PN 098323-019

AP
OPTIONAL
ACCESSORY ADD-ON PANEL
MOUNTING

AP2
OPTIONAL
ACCESSORY ADD-ON PANEL
MOUNTING

AP1
OPTIONAL
ACCESSORY ADD-ON PANEL
MOUNTING

AP3
OPTIONAL
ACCESSORY ADD-ON PANEL
MOUNTING

PROJECT NAME:		245204 BK BK 11/07/13	
WIRING		DIAGRAM	
300 SERIES (H3ATS/H3NTS) 3PH 600-1200 AMPS "H" FRAME, GROUP G CONTROLS			
BY	DATE	MANUFACTURING TOLERANCES TO BE IN ACCORDANCE WITH ASCO PROCEDURE MP-1-003. FOR PLASTIC PARTS SEE MP-1-055.	ASSEM. REF. NO.
DRAWN BY	DJB 11/07/13		
CHECKED	BK 11/07/13	PROPERTY OF ASCO POWER TECHNOLOGIES. USE PERMITTED FOR OUR WORK ONLY. ALL RIGHTS OF DESIGN OR INVENTION ARE RESERVED.	
PROJECT APPROVAL	BK 11/07/13		
FINAL APPROVAL			
SCALE NONE SIZE DS		COMPUTER GENERATED DRAWING	
DWG. NO. 1001657		REV. NO. 245204	
DRAWING NO. 245204		SHEET 5 OF 6	

ASCO ASCO Power Technologies, L.P.
FLORHAM PARK, NEW JERSEY 07932 U.S.A.

