

# THREE PHASE WIRING FOR ASCO® 300 SERIES TRANSFER SWITCHES (J3ATS/J3NTS) 260, 400, & 600 AMPERES WITH GROUP G CONTROLS

## GENERAL INFORMATION

THIS WIRING APPLIES TO 300 SERIES TRANSFER SWITCHES THAT UTILIZE THE "J" FRAME POWER TRANSFER SWITCH RATED 260, 400, & 600 AMPERES.

THE GROUP G CONTROLLER PROVIDES EITHER AUTOMATIC (J3ATS) OR NON-AUTOMATIC [MANUAL] (J3NTS) OPERATION BASED ON ITS FACTORY SETTING ACCORDING TO THE CUSTOMER ORDER REQUIREMENTS.

THE TYPE OF TRANSFER SWITCH PROVIDED CAN BE DETERMINED FROM THE PRODUCT IDENTIFICATION MARKINGS LOCATED ON BOTH THE POWER TRANSFER SWITCH AND THE COVER OF THE GROUP G CONTROLLER.

ALL OPERATIONAL SETTINGS AND SEQUENCES OF THE GROUP G CONTROLLER AND ITS RELATED OPTIONAL ACCESSORIES (1UP, 18RX, 23G) ARE PROVIDED IN THE USER'S GUIDE, ASCO GROUP G CONTROLLER FOR AUTOMATIC & NON-AUTOMATIC TRANSFER SWITCHES, PART NUMBER 381333-400.

INFORMATION FOR INSTALLATION AND TESTING OF THE TRANSFER SWITCH IS PROVIDED IN THE INSTALLATION MANUAL, ASCO 3ATS, 3ADTS, 3NTS & 3NDTS, J-DESIGN 150-600 A TRANSFER SWITCHES, PART NUMBER 381333-404.

### ENGINE CONTROL CONTACTS

**FEATURE 7 & FEATURE 8:**  
ONE SET OF FORM C CONTACTS "NR" (FEAT. 7 N/C, FEAT. 8 N/O) THAT CHANGE POSITION ON EXPIRATION OF THE FEATURE 1C, OVERRIDE MOMENTARY NORMAL SOURCE OUTAGES TIME DELAY, AND RESET ON EXPIRATION OF THE FEATURE 2E ENGINE COOLDOWN TIME DELAY.  
AN AUXILIARY CONTACT THAT IS CLOSED WHEN THE TRANSFER SWITCH IS CONNECTED TO THE EMERGENCY SOURCE, IS CONNECTED ACROSS THE N/C CONTACT (FEATURE 7).

AN ADDITIONAL SET OF ENGINE STARTING CONTACTS ARE AVAILABLE ON THE GROUP G CONTROLLER WHEN THE FEATURE SETTING OF THE CONTROLLER OUTPUT CONTACTS "OP1" IS SET TO OPERATE AS "NR2".

ADDITIONAL, OPTIONAL ENGINE STARTING CONTACTS "NR2" ARE AVAILABLE WHEN OPTIONAL ACCESSORY 18RX (RELAY EXPANSION MODULE) IS INCLUDED IN THE TRANSFER SWITCH ASSEMBLY. OUTPUT CONTACTS "OP2" AND/OR "OP3" PROVIDE THE ENGINE STARTING FUNCTION WHEN THE FEATURE SETTING OF EACH IS SET TO OPERATE AS "NR2".

CONTACTS ARE RATED 5 AMPS RESISTIVE AT 30 VDC MAXIMUM, 100 mA AT 5 VDC MINIMUM.

REFER TO USER'S GUIDE, ASCO GROUP G CONTROLLER FOR AUTOMATIC & NON-AUTOMATIC TRANSFER SWITCHES, PART NUMBER 381333-400 FOR SETTING INFORMATION.

### LOAD DISCONNECT FEATURE

**FEATURE 31: INCLUDES SUB-FEATURES 31F, 31G, 31M, 31N**  
A SET OF FORM C CONTACTS ARE PROVIDED ON THE GROUP G CONTROLLER AS "OP1". WHEN THE FEATURE SETTING OF "OP1" IS SET TO OPERATE THE CONTACTS AS "FEATURE 31", THE TIME DELAY SETTINGS OF THE SUB-FEATURES ARE AVAILABLE.

"OP1" CAN BE SET TO OPERATE TO PROVIDE THE FOLLOWING FUNCTIONS USING THE TIME DELAY SETTINGS ASSOCIATED WITH EACH SUB-FEATURE:

- 31F - NORMAL TO EMERGENCY PRE-TRANSFER SIGNAL
- 31G - EMERGENCY TO NORMAL PRE-TRANSFER SIGNAL
- 31M - NORMAL TO EMERGENCY POST-TRANSFER SIGNAL
- 31N - EMERGENCY TO NORMAL POST TRANSFER SIGNAL

THE "OP1" OUTPUT CONTACTS CHANGE POSITION FOLLOWING EACH OF THE ABOVE TIME DELAYS.

ADDITIONAL LOAD DISCONNECT CONTACTS, "FEATURE 31" ARE AVAILABLE WHEN OPTIONAL ACCESSORY 18RX (RELAY EXPANSION MODULE) IS INCLUDED IN THE TRANSFER SWITCH ASSEMBLY. OUTPUT CONTACTS "OP2 AND/OR "OP3" WILL PROVIDE LOAD DISCONNECT FUNCTIONS WHEN THE FEATURE SETTING OF EACH IS SET TO OPERATE AS "FEATURE 31".

ALL OUTPUT CONTACTS ("OP1", "OP2", "OP3") SET TO OPERATE AS "FEATURE 31", SHARE THE COMMON TIME DELAY SETTINGS OF SUB-FEATURES 31F, 31G, 31M, AND 31N.

CONTACTS ARE RATED 5 AMPS RESISTIVE AT 30 VDC MAXIMUM, 100 mA AT 5 VDC MINIMUM.

REFER TO USER'S GUIDE, ASCO GROUP G CONTROLLER FOR AUTOMATIC & NON-AUTOMATIC TRANSFER SWITCHES, PART NUMBER 381333-400 FOR SETTING INFORMATION.

### INPHASE TRANSFER FEATURE FOR LOAD TRANSFER

INPHASE TRANSFER CONTROL INITIATES AN INPHASE TRANSFER OF LOADS BETWEEN LIVE SOURCES. THIS IS USED TO PREVENT NUISANCE TRIPPING OF DISTRIBUTION CIRCUIT BREAKERS AND POSSIBLE DAMAGE TO MECHANICAL LOADS ASSOCIATED WITH OUT OF PHASE TRANSFER.

REFER TO USER'S GUIDE, ASCO GROUP G CONTROLLER FOR AUTOMATIC & NON-AUTOMATIC TRANSFER SWITCHES, PART NUMBER 381333-400 FOR SETTING INFORMATION.

### SOURCE AVAILABILITY SIGNALS

SIGNALS INDICATING THE AVAILABILITY OF THE NORMAL & EMERGENCY SOURCES IS PROVIDED WHEN OPTIONAL ACCESSORY 18RX (RELAY EXPANSION MODULE) IS INCLUDED IN THE TRANSFER SWITCH ASSEMBLY. OUTPUT CONTACTS "RL5" (EMERGENCY SOURCE AVAILABLE) AND "RL6" (NORMAL SOURCE AVAILABLE) CHANGE POSITION WHEN THE SOURCE IS ACCEPTABLE.

CONTACTS ARE RATED 5 AMPS RESISTIVE AT 30 VDC MAXIMUM, 100 mA AT 5 VDC MINIMUM.

### COMMON ALARM & NOT IN AUTO SIGNALING FEATURES

A SET OF FORM C CONTACTS IS PROVIDED ON THE GROUP G CONTROLLER AS "OP1". THE FEATURE SETTING OF "OP1" CAN BE SET TO OPERATE THE CONTACTS AS A "NOT IN AUTO" SIGNAL.

WHEN "OP1" IS SET FOR "NOT IN AUTO", THE OUTPUT CONTACTS CHANGE POSITION WHEN THE TRANSFER IS BEING INHIBITED FROM TRANSFERRING TO THE EMERGENCY SOURCE (FEATURE 34B) OR THE TRANSFER SWITCH HAS BEEN SET FOR NON-AUTOMATIC (MANUAL) OPERATION.

WHEN OPTIONAL ACCESSORY 11BE "SOFTWARE BUNDLE" IS PART OF THE TRANSFER SWITCH ASSEMBLY, "OP1" MAY ALTERNATIVELY SET FOR A "COMMON ALARM" SIGNAL. THE OUTPUT CONTACTS CHANGE POSITION WHEN A "COMMON ALARM" IS NOT PRESENT AND RESET WHEN A "COMMON ALARM" CONDITION IS PRESENT. THE "COMMON ALARM" SIGNAL CONDITIONS ARE SELECTABLE.

ADDITIONAL "COMMON ALARM" AND "NOT IN AUTO" CONTACTS ARE AVAILABLE WHEN OPTIONAL ACCESSORY 18RX (RELAY EXPANSION MODULE) IS INCLUDED IN THE TRANSFER SWITCH ASSEMBLY. OUTPUT CONTACTS "OP2 AND/OR "OP3" WILL PROVIDE SIGNAL FUNCTIONS WHEN THE FEATURE SETTING OF EACH IS SET TO OPERATE AS "COMMON ALARM" OR "NOT IN AUTO".

CONTACTS ARE RATED 5 AMPS RESISTIVE AT 30 VDC MAXIMUM, 100 mA AT 5 VDC MINIMUM.

REFER TO USER'S GUIDE, ASCO GROUP G CONTROLLER FOR AUTOMATIC & NON-AUTOMATIC TRANSFER SWITCHES, PART NUMBER 381333-400 FOR SETTING INFORMATION.

### EXTERNAL POWER SUPPLY COMPATIBILITY

USE OF AN EXTERNAL POWER SUPPLY IS USEFUL WHEN REQUIRED TO EXTEND THE FOLLOWING CONTROLLER TIME DELAYS BEYOND 6 SECONDS;

- FEATURE 1C - OVERRIDE MOMENTARY NORMAL SOURCE OUTAGES
- FEATURE 1F - OVERRIDE MOMENTARY EMERGENCY SOURCE OUTAGES

AN EXTERNAL POWER SUPPLY IS ALSO USEFUL WHEN THE TRANSFER SWITCH IS USED WITH COMMUNICATIONS FEATURES BY ENABLING THE CONTROLLER TO CONTINUE COMMUNICATING.

AN EXTERNAL POWER SOURCE MAY BE PROVIDED TO THE CONTROLLER, UNTIL THE NORMAL SOURCE OR EMERGENCY SOURCE IS AVAILABLE, BY USE OF:

- AN EXTERNAL 24 VDC POWER SUPPLY WITH ACCESSORY 18RX (RELAY EXPANSION MODULE)
- OR
- OPTIONAL ACCESSORY 1UP (UNINTERRUPTIBLE POWER SUPPLY MODULE)

### EXTERNAL 24 VDC POWER SUPPLY "1G"

AN EXTERNAL 24 VDC POWER SUPPLY MAY BE USED TO POWER THE CONTROLLER WHEN ACCESSORY 18RX (RELAY EXPANSION MODULE) IS INCLUDED IN THE TRANSFER SWITCH ASSEMBLY. OUTPUT CONTACTS "OP2" WILL PROVIDE EXTERNAL 24 VDC POWER SUPPLY FUNCTIONALITY WHEN ITS FEATURE SETTING IS SET TO OPERATE AS "1G". ADDITIONALLY, JUMPERS MUST BE RECONFIGURED ON ACCESSORY 18RX (RELAY EXPANSION MODULE) TO ENABLE THIS FUNCTION AS FOLLOWS;

- REMOVE JUMPERS "J1" 1-2 & "J1" 3-4
- CONNECT JUMPERS "J1" 5-7 & "J1" 6-8

THE OUTPUT CONTACTS CHANGE POSITION WHEN EITHER THE NORMAL SOURCE OR EMERGENCY SOURCE IS AVAILABLE AND RESET WHEN NEITHER SOURCE IS AVAILABLE. THE "OP2" N/C CONTACT SWITCHES CUSTOMER PROVIDED +24 VDC FROM THE EXTERNAL POWER SUPPLY TO THE CONTROLLER.

REFER TO USER'S GUIDE, ASCO GROUP G CONTROLLER FOR AUTOMATIC & NON-AUTOMATIC TRANSFER SWITCHES, PART NUMBER 381333-400 FOR SETTING INFORMATION.

### ACCESSORY 1UP (UNINTERRUPTIBLE POWER SUPPLY)

WHEN OPTIONAL ACCESSORY 1UP IS INCLUDED IN THE TRANSFER SWITCH ASSEMBLY, THE CONTROLLER IS PROVIDED WITH LIMITED RESERVE POWER (APPROXIMATELY 3 MINUTES).

### LOAD CURRENT METERING

WHEN OPTIONAL ACCESSORY 23GB IS PART OF THE TRANSFER SWITCH ASSEMBLY, THREE PHASE CURRENT MEASUREMENTS ARE AVAILABLE FOR DISPLAY ON THE GROUP G CONTROLLER.

REFER TO USER'S GUIDE, ASCO GROUP G CONTROLLER FOR AUTOMATIC & NON-AUTOMATIC TRANSFER SWITCHES, PART NUMBER 381333-400 FOR INFORMATION ON USE.

### FOUR-FUNCTION SOFTWARE BUNDLE

WHEN OPTIONAL ACCESSORY 11BE IS PART OF THE TRANSFER SWITCH ASSEMBLY, A FOUR-FUNCTION SOFTWARE BUNDLE IS AVAILABLE TO PERFORM THE FOLLOWING FUNCTIONS;

- SERIAL COMMUNICATIONS (RS-485)
- PROGRAMMABLE ENGINE EXERCISER
- EVENT LOG
- COMMON ALARM SIGNAL CAPABILITY ON GROUP G CONTROLLER "OP1" OUTPUT.

REFER TO USER'S GUIDE, ASCO GROUP G CONTROLLER FOR AUTOMATIC & NON-AUTOMATIC TRANSFER SWITCHES, PART NUMBER 381333-400 FOR INFORMATION ON THESE FUNCTIONS.

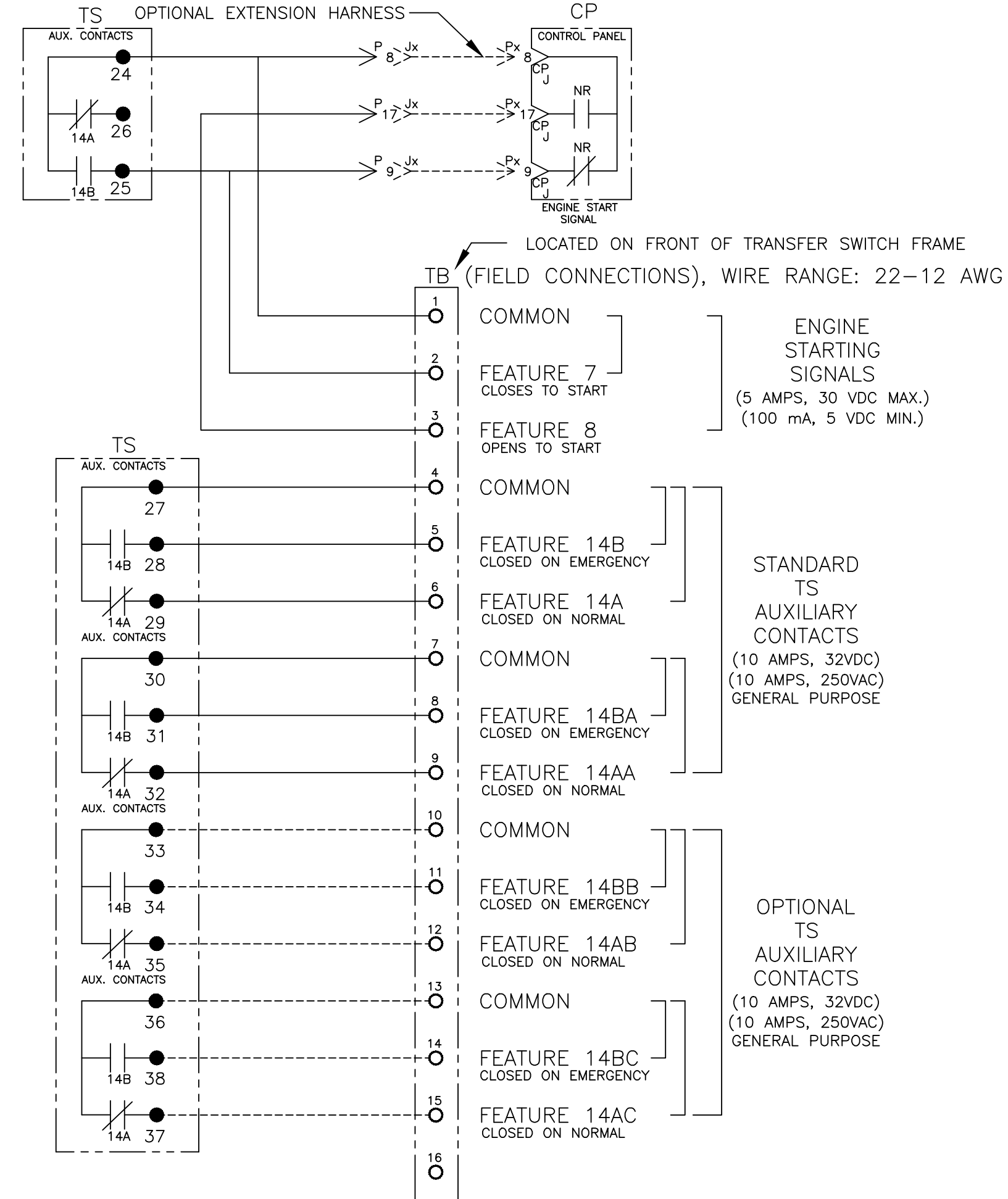
## NOTES

1. SWITCH SHOWN DE-ENERGIZED CONNECTED TO NORMAL SOURCE.
2. DEVICE SYMBOLS AND DESIGNATIONS ARE IN ACCORDANCE WITH NEMA PUB. ICS 1, PART 1-101A.
3. ALL WIRING IS #16 AWG, TINNED, STRANDED COPPER UNLESS OTHERWISE INDICATED.
4. ○ INDICATES CUSTOMER CONNECTION POINTS.
5. ● INDICATES FACTORY CONNECTION POINTS.
6. CONNECTION POINTS THAT HAVE BOTH CUSTOMER CONNECTIONS AND FACTORY CONNECTIONS ARE SHOWN OPEN AS CUSTOMER CONNECTION POINTS.
7. THE TRANSFER UNIT IS MOUNTED ON THE BACK INSIDE SURFACE OF THE ENCLOSURE. THE CONTROL PANEL AND ANY OPTIONAL ACCESSORIES ARE MOUNTED ON THE INSIDE SURFACE OF THE DOOR.
8. AN OPERATOR'S MANUAL IS FURNISHED WITH EACH AUTOMATIC TRANSFER SWITCH. REFER TO THIS PUBLICATION PRIOR TO INSTALLATION AND OPERATION OF THE SWITCH.
9. GROUND STRAP ON CONTROL PANEL IS AFFIXED TO CHASSIS (ENCLOSURE) AT LOWER LEFT CONTROL PANEL MOUNTING STUD.

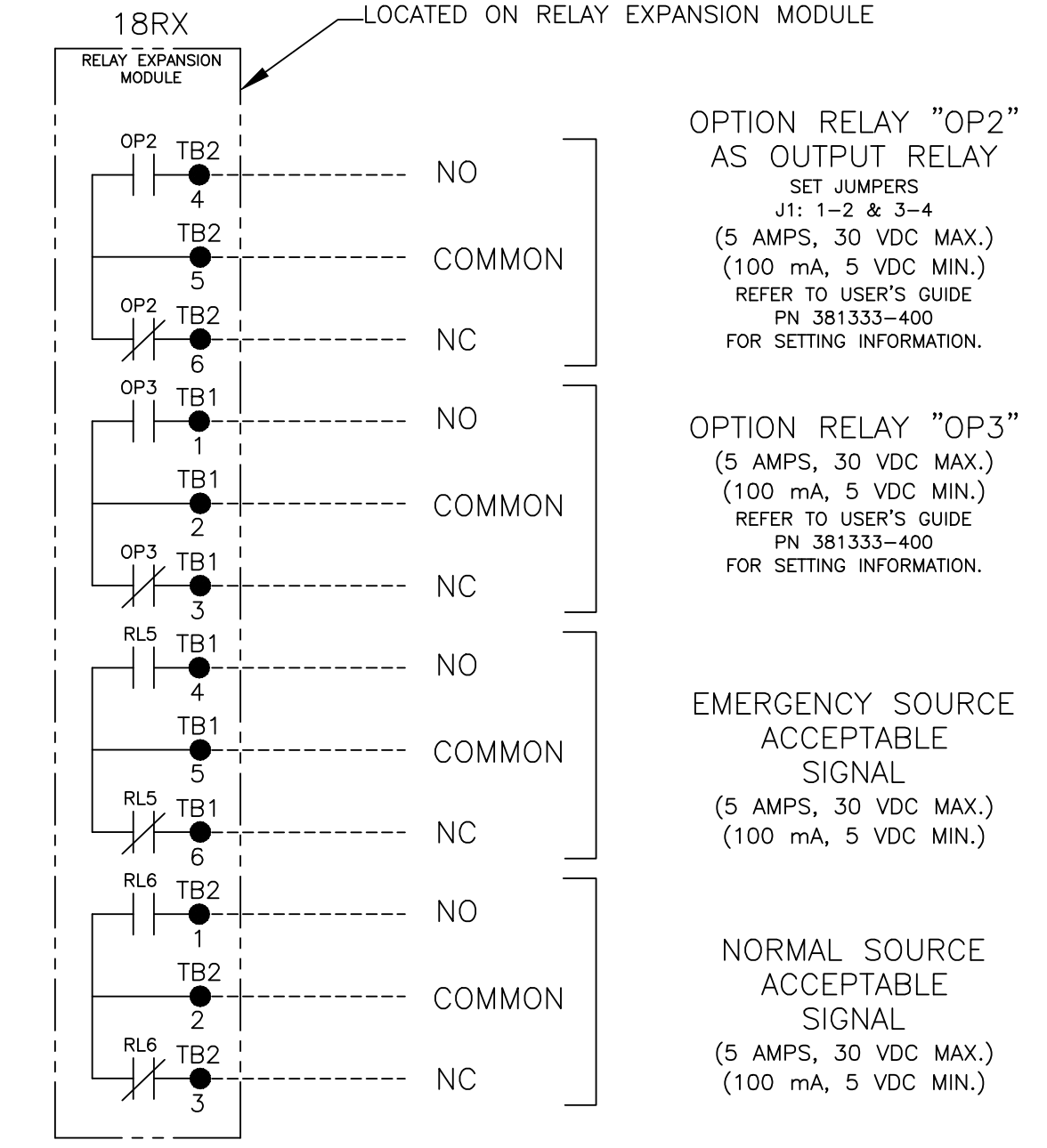
CATALOG NUMBER SUFFIXES										EXPLANATION OF CATALOG NUMBER CODES													
TS FRAME	CATALOG TYPE	NEUTRAL TYPE	PHASE POLES	AMPS	VOLT CODE	CONTROLLER	OPTIONAL ACCESSORY	ENCLOSURE CODE		NEUTRAL TYPE	VOLTAGE CODES	ENCLOSURE CODES											
										CODE	DESCRIPTION	CODE	NOMINAL VOLTAGE	CODE	TYPE	DESCRIPTION							
J	3ATS	A	3	260	C	G	X	C		A	SOLID SWITCHING	C	208	BLANK	1	OPEN TYPE (NO ENCLOSURE) GENERAL PURPOSE, INDOOR							
	3NTS	B		400	D			F		B		D	220	F	3R	OUTDOOR, RAINPROOF, SLEET & ICE RESISTANT							
				600	E			G				F	230	G	4	INDOOR/OUTDOOR, WATERTIGHT & DUSTTIGHT							
					F			H				G	240	H	4X	TYPE 4 PLUS CORROSION RESISTANCE (STAINLESS STEEL)							
					G			I				H	277	I	12	INDOOR, INDUSTRIAL ENVIRONMENTS, OILTIGHT & DUSTTIGHT							
					H			J				I	380			(SECURE ENCLOSURES)							
					I			K				J	400			OUTDOOR, RAINPROOF, SLEET & ICE RESISTANT							
					J			L		M		K	415	M	3R	INDOOR/OUTDOOR, WATERTIGHT & DUSTTIGHT							
					K			M		N		L	440	N	4	TYPE 4 PLUS CORROSION RESISTANCE (STAINLESS STEEL)							
					L			N		P		M	460	P	4X	INDOOR, INDUSTRIAL ENVIRONMENTS, OILTIGHT & DUSTTIGHT							
					M			P		Q		N	480	Q	12								
					N			Q		R		P	550*										
					O			R				P	575*										
					P							Q	600*										

D	251210	AJ	MM	10/17/14
SEE ECN				
C	247770	SDH	SDH	4/14/14
SEE ECN				
B	246325	AE	BK	01/16/14
SEE ECN				
A	242580	SDH	SDH	5/30/13
SEE ECN				
-	242255	SDH	SDH	5/6/13
ISSUE				
REV TO SHEET	ECN NO.	BY	APP.	DATE
PROJECT NAME: _____				
WIRING DIAGRAM				
300 SERIES J3ATS/J3NTS, THREE PHASE 260, 400, & 600 AMPS				
"J" FRAME, GROUP G CONTROLS				
THIRD ANGLE PROJECTION				
DRAWN BY	SDH	DATE	MANUFACTURING TOLERANCES TO BE IN ACCORDANCE WITH ASCO PROCEDURE MP-1-003. FOR PLASTIC PARTS SEE MP-1-055.	
CHECKED			ASSEM. REF. NO.	
PROJECT APPROVAL			PROPERTY OF ASCO POWER TECHNOLOGIES. USE PERMITTED FOR OUR WORK ONLY. ALL RIGHTS OF DESIGN OR INVENTION ARE RESERVED.	
FINAL APPROVAL	SDH	5/6/13	SCALE NONE SIZE DS	
<b>ASCO</b>			DWG. NO. 978745	
ASCO POWER TECHNOLOGIES, L.P.			COMPUTER GENERATED DRAWING	
FLORHAM PARK, NEW JERSEY 07932 U.S.A.			DRAWING REV. D ECN NO. 251210 SHEET 1 OF 6	

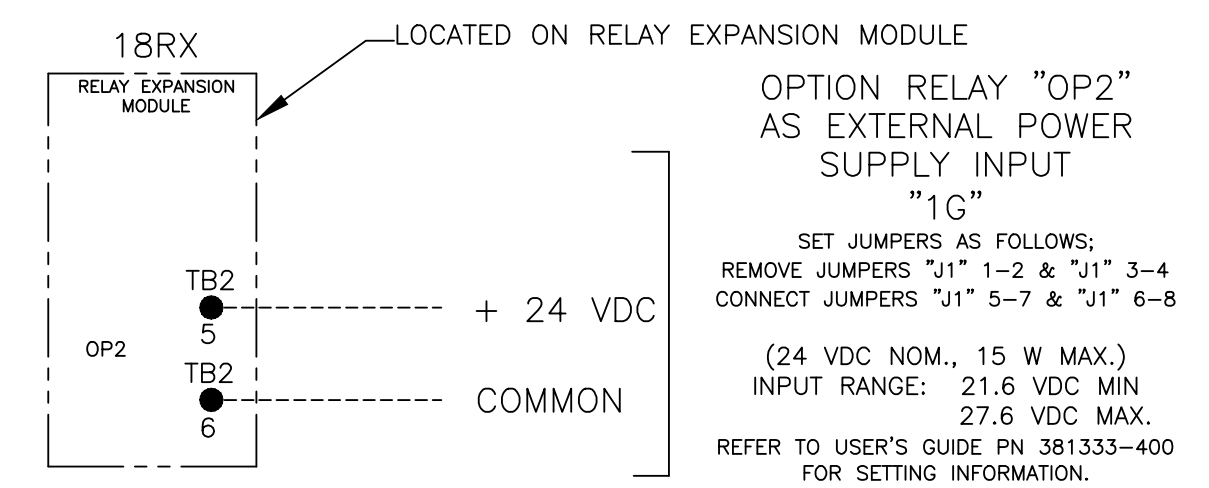




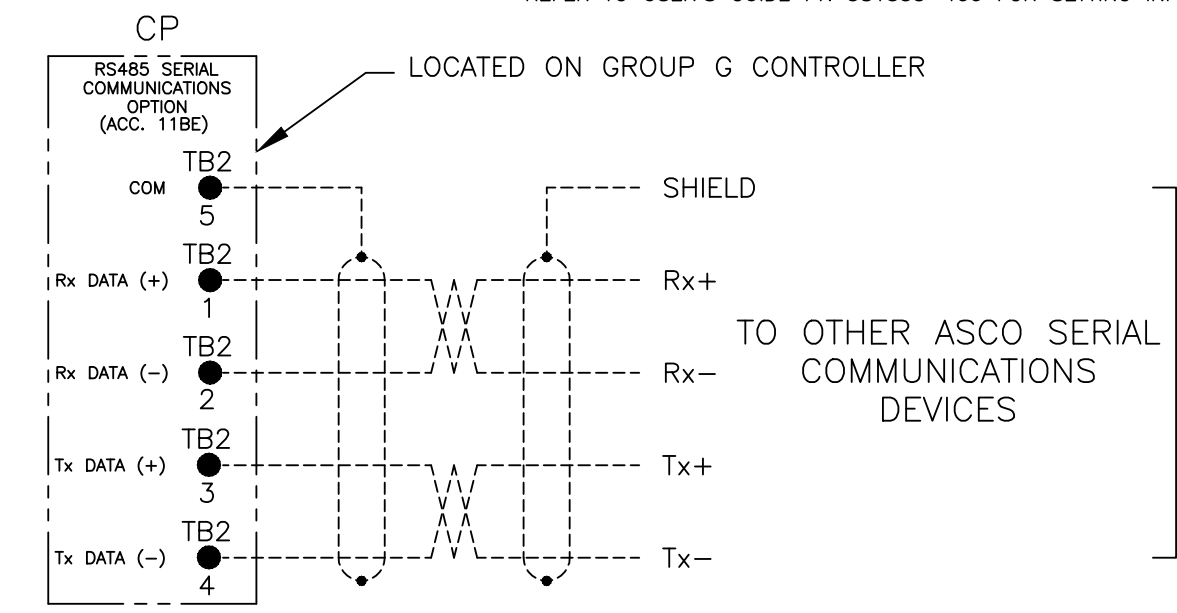
**OPTIONAL ACCESSORY 18RX (RELAY EXPANSION MODULE)**



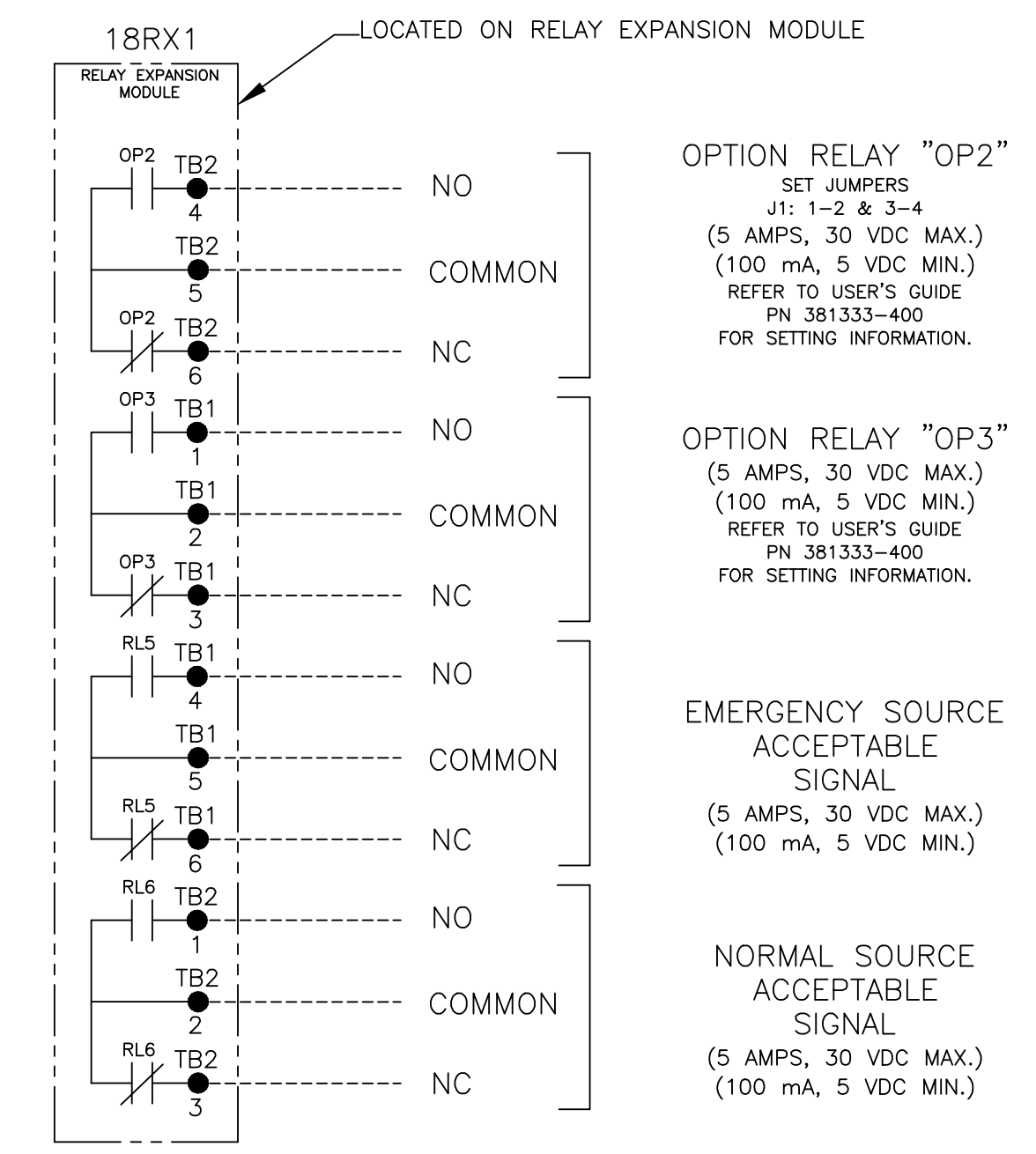
**"OP2" OPTIONAL USES**



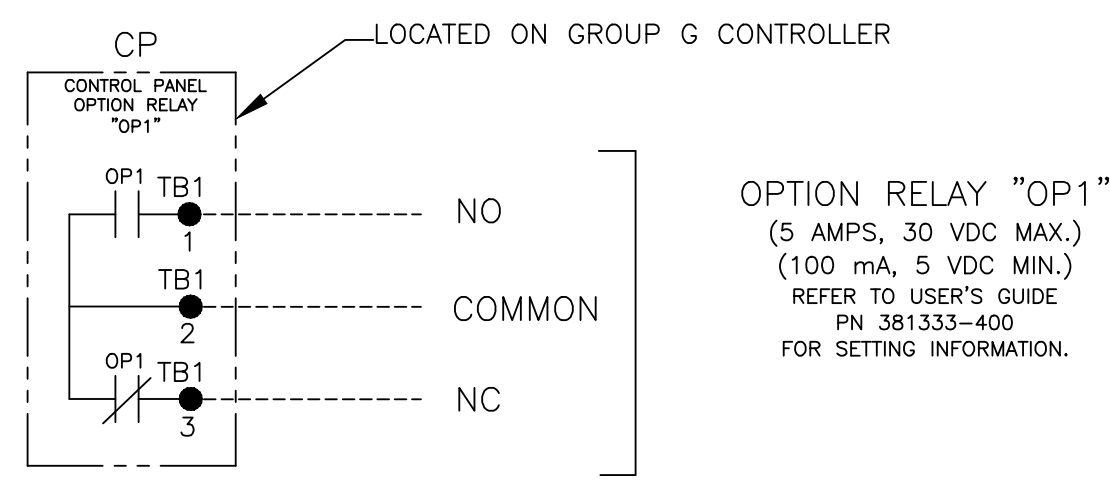
**RS485 SERIAL COMMUNICATIONS OPTION**  
AVAILABLE WITH OPTIONAL ACCESSORY 11BE: FOUR-FUNCTION SOFTWARE BUNDLE  
REFER TO USER'S GUIDE PN 381333-400 FOR SETTING INFORMATION.



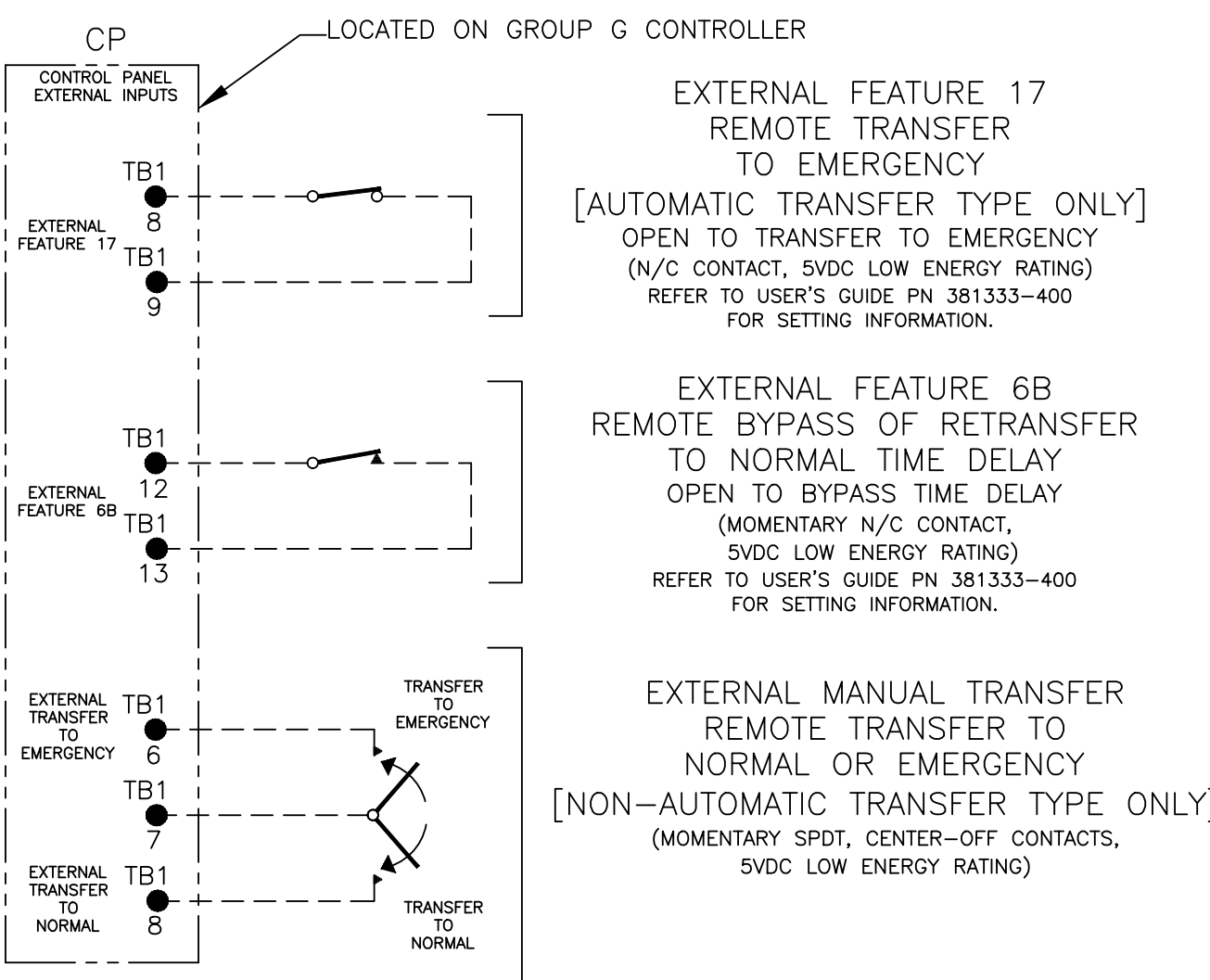
**OPTIONAL ACCESSORY 18RX1 (SECOND RELAY EXPANSION MODULE)**



**CONTROLLER OPTION RELAY "OP1" (STANDARD)**

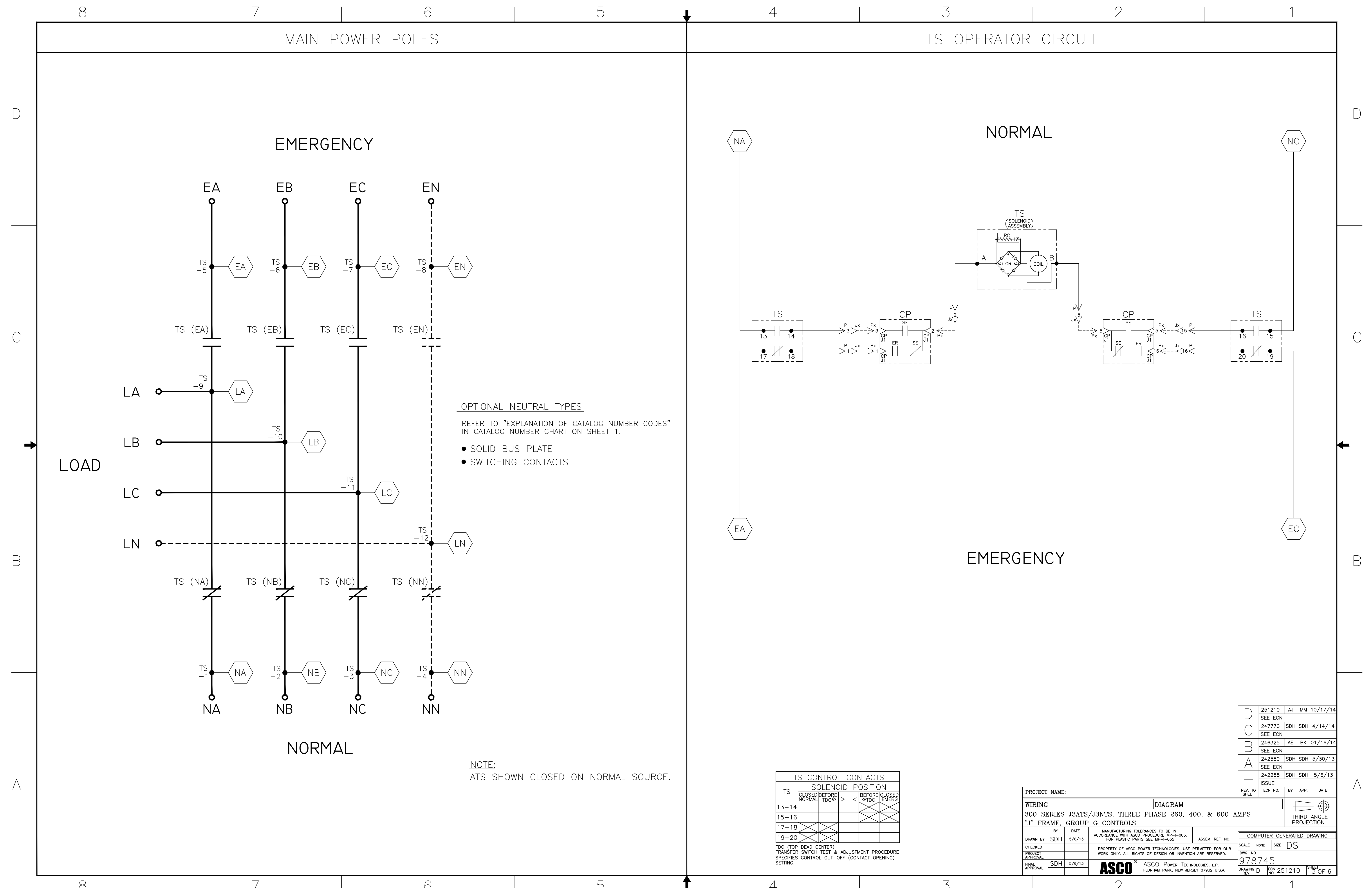


**CONTROLLER REMOTE CONTROL FEATURES**



D	251210	AJ	MM	10/17/14
SEE ECN				
C	247770	SDH	SDH	4/14/14
SEE ECN				
B	246325	AE	BK	01/16/14
SEE ECN				
A	242580	SDH	SDH	5/30/13
SEE ECN				
-	242255	SDH	SDH	5/6/13
ISSUE				

PROJECT NAME:		REV. TO SHEET	ECN NO.	BY	APP.	DATE
WIRING DIAGRAM						
300 SERIES J3ATS/J3NTS, THREE PHASE 260, 400, & 600 AMPS		MANUFACTURING TOLERANCES TO BE IN ACCORDANCE WITH ASCO PROCEDURE MP-1-003. FOR PLASTIC PARTS SEE MP-1-055.		ASSEM. REF. NO.		
"J" FRAME, GROUP G CONTROLS		PROPERTY OF ASCO POWER TECHNOLOGIES. USE PERMITTED FOR OUR WORK ONLY. ALL RIGHTS OF DESIGN OR INVENTION ARE RESERVED.		COMPUTER GENERATED DRAWING		
DRAWN BY	SDH	DATE	5/6/13	SCALE NONE SIZE DS		
CHECKED				DWG. NO. 978745		
PROJECT APPROVAL				DRAWING REV. D ECN NO. 251210 SHEET 2 OF 6		
FINAL APPROVAL	SDH	DATE	5/6/13	ASCO Power Technologies, L.P. FLORHAM PARK, NEW JERSEY 07932 U.S.A.		

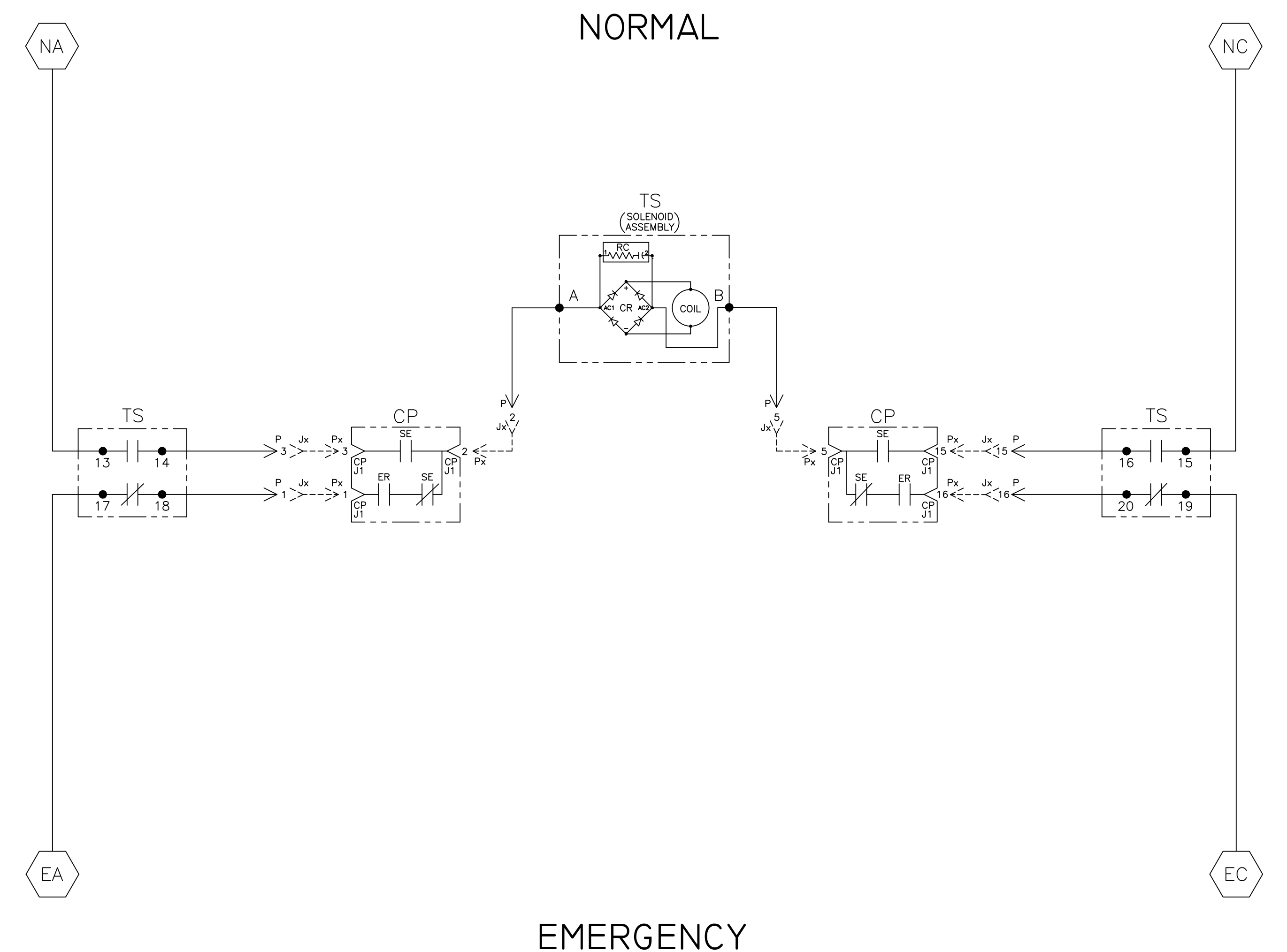
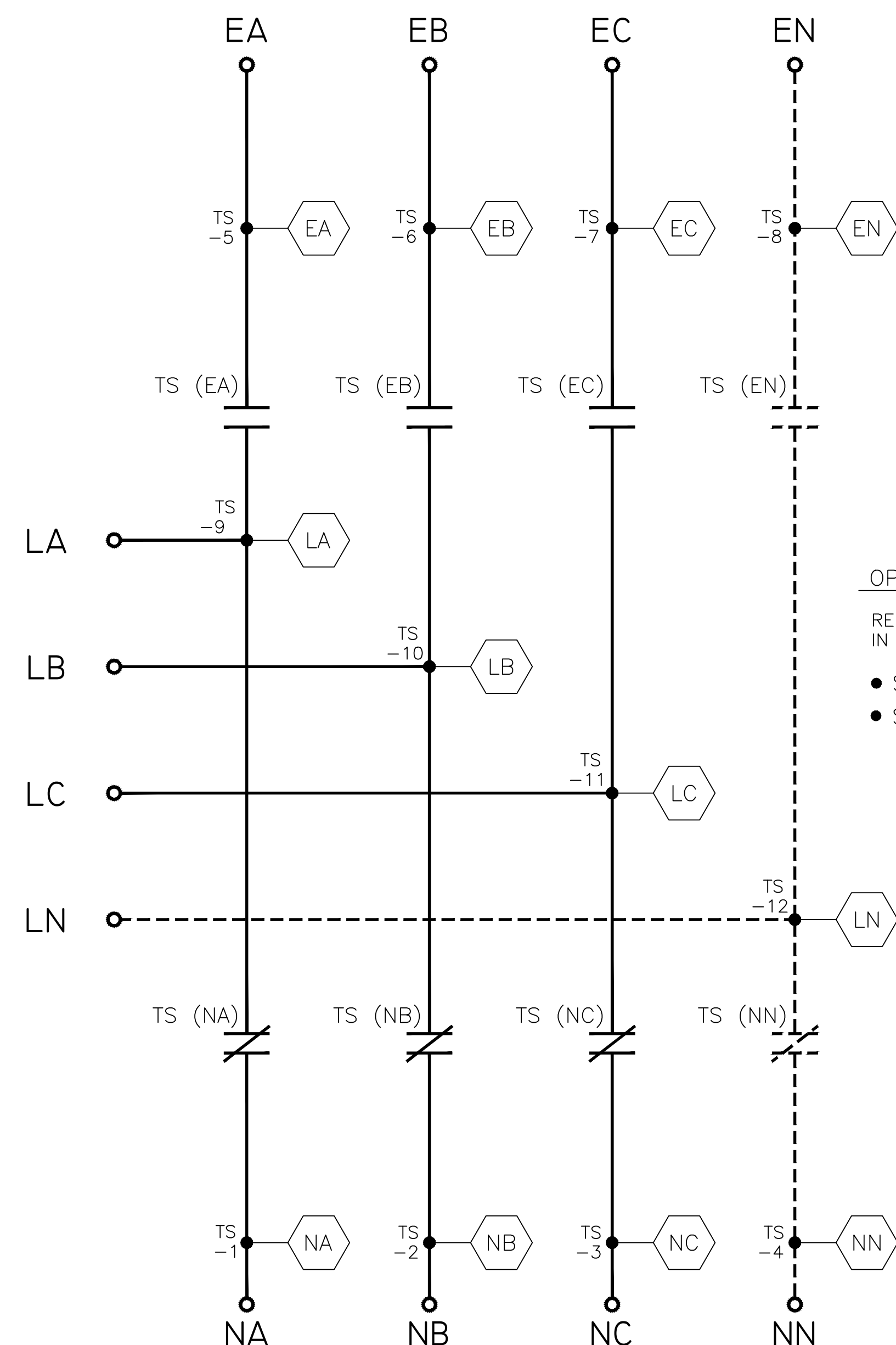


MAIN POWER POLES

TS OPERATOR CIRCUIT

EMERGENCY

NORMAL



OPTIONAL NEUTRAL TYPES  
 REFER TO "EXPLANATION OF CATALOG NUMBER CODES"  
 IN CATALOG NUMBER CHART ON SHEET 1.

- SOLID BUS PLATE
- SWITCHING CONTACTS

NOTE:  
 ATS SHOWN CLOSED ON NORMAL SOURCE.

TS	SOLENOID POSITION			
	CLOSED BEFORE NORMAL	BEFORE TDC	TDC	CLOSED BEFORE EMERG
13-14				
15-16				
17-18				
19-20				

TDC (TOP DEAD CENTER)  
 TRANSFER SWITCH TEST & ADJUSTMENT PROCEDURE  
 SPECIFIES CONTROL CUT-OFF (CONTACT OPENING) SETTING.

PROJECT NAME: \_\_\_\_\_

WIRING DIAGRAM

300 SERIES J3ATS/J3NTS, THREE PHASE 260, 400, & 600 AMPS  
 "J" FRAME, GROUP G CONTROLS

REV. TO SHEET	ECN. NO.	BY	APP.	DATE

SCALE NONE SIZE DS

DWG. NO. 978745

ASCO POWER TECHNOLOGIES, L.P.  
 FLORHAM PARK, NEW JERSEY 07932 U.S.A.

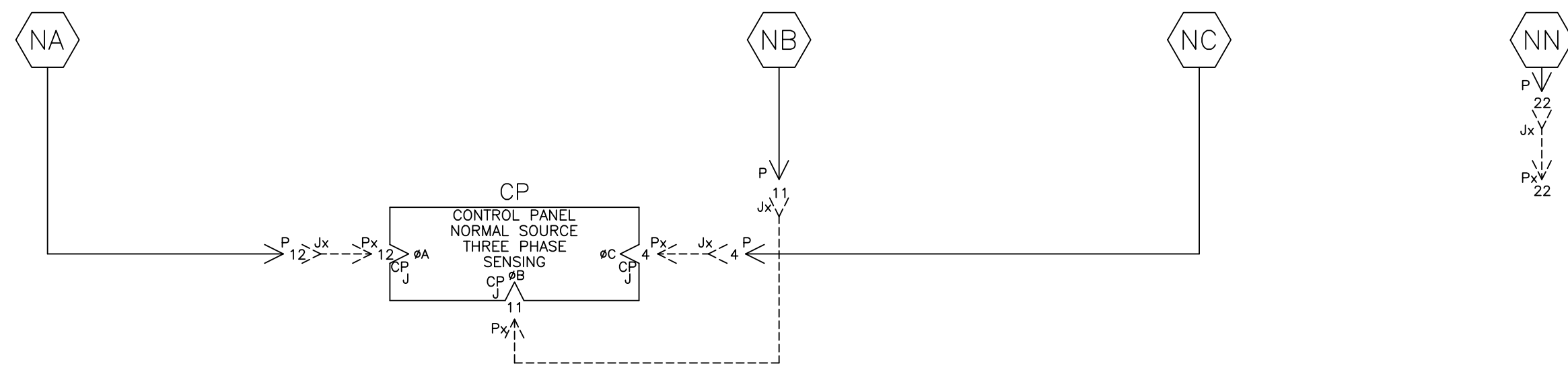
COMPUTER GENERATED DRAWING

DRAWING REV. D ECN. NO. 251210 SHEET 3 OF 6

D	251210	AJ	MM	10/17/14
SEE EGN				
C	247770	SDH	SDH	4/14/14
SEE EGN				
B	246325	AE	BK	01/16/14
SEE EGN				
A	242580	SDH	SDH	5/30/13
SEE EGN				
-	242255	SDH	SDH	5/6/13
ISSUE				

NORMAL SOURCE CIRCUITS

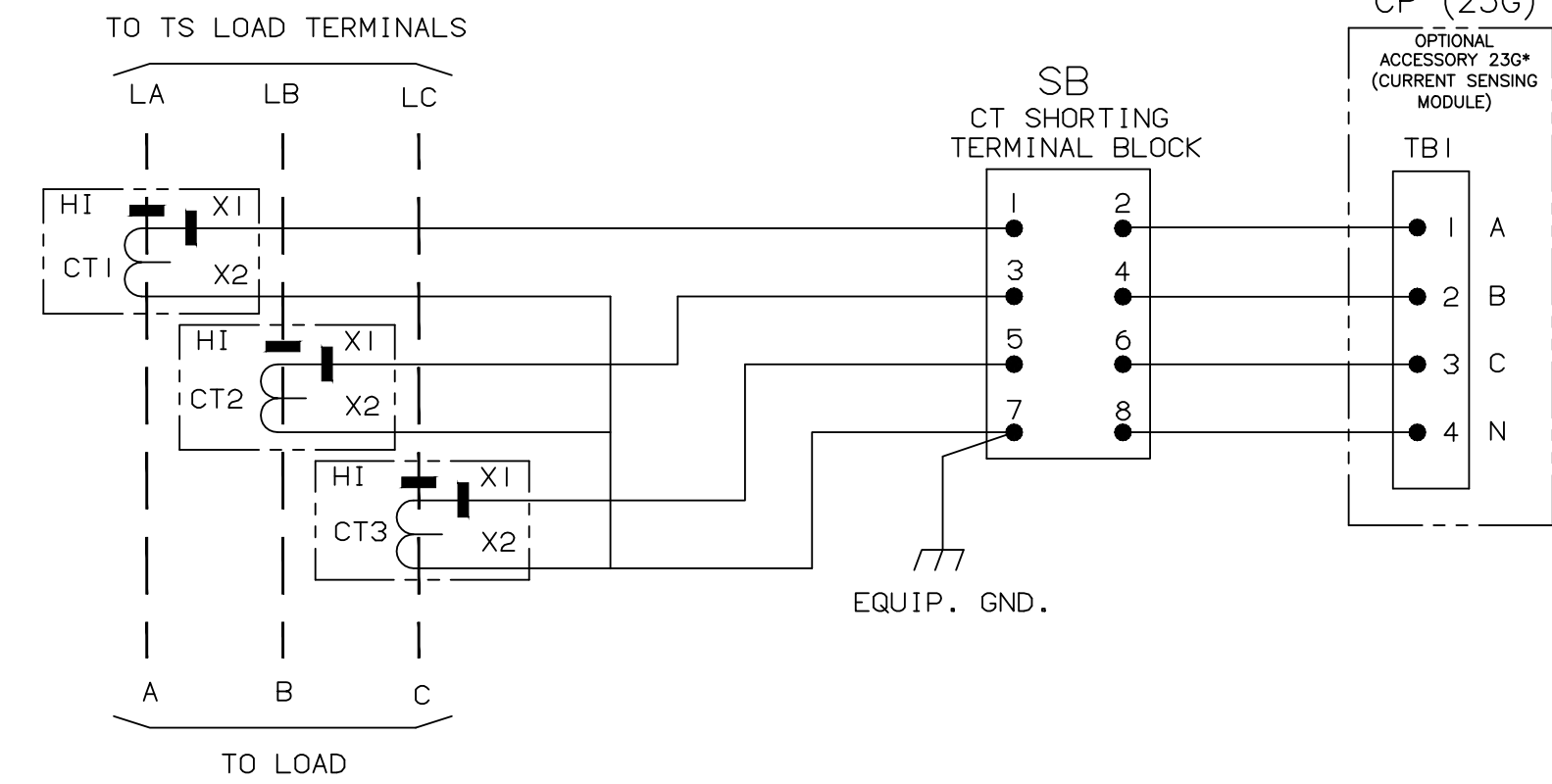
NORMAL



ADDITIONAL CIRCUITS

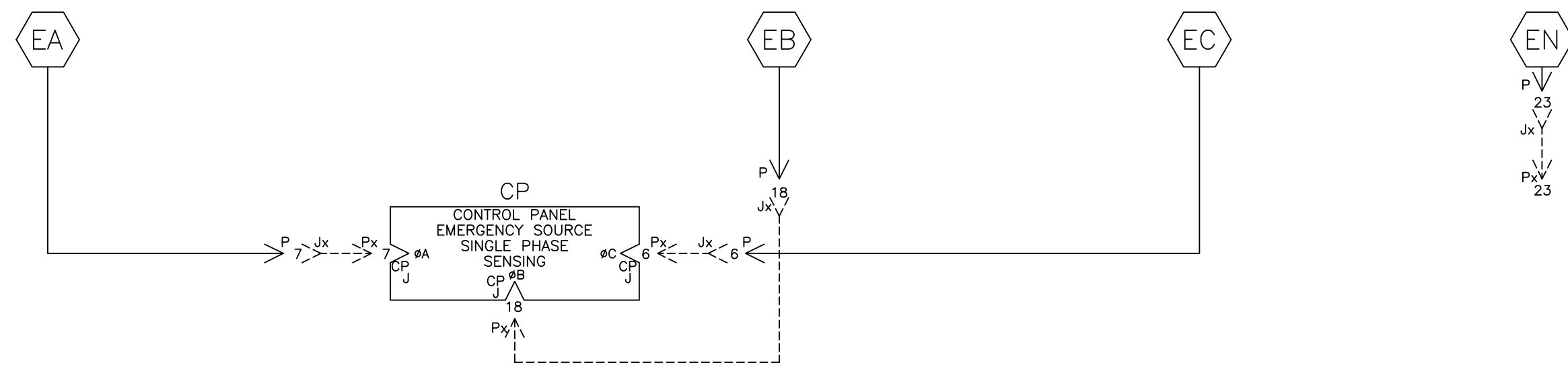
OPTIONAL ACCESSORY 23GB (LOAD CURRENT METERING)

SWITCH RATING	CT RATIO
260A	300:5A
400A	400:5A
600A	600:5A



EMERGENCY SOURCE CIRCUITS

EMERGENCY

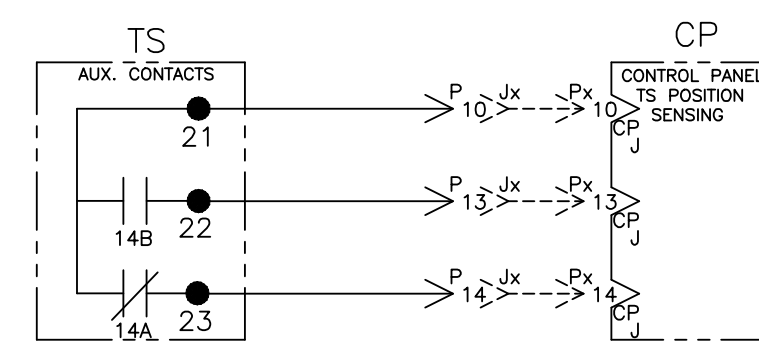


LOAD TERMINAL CIRCUITS

LOAD



CONTROL SIGNALS & INDICATION



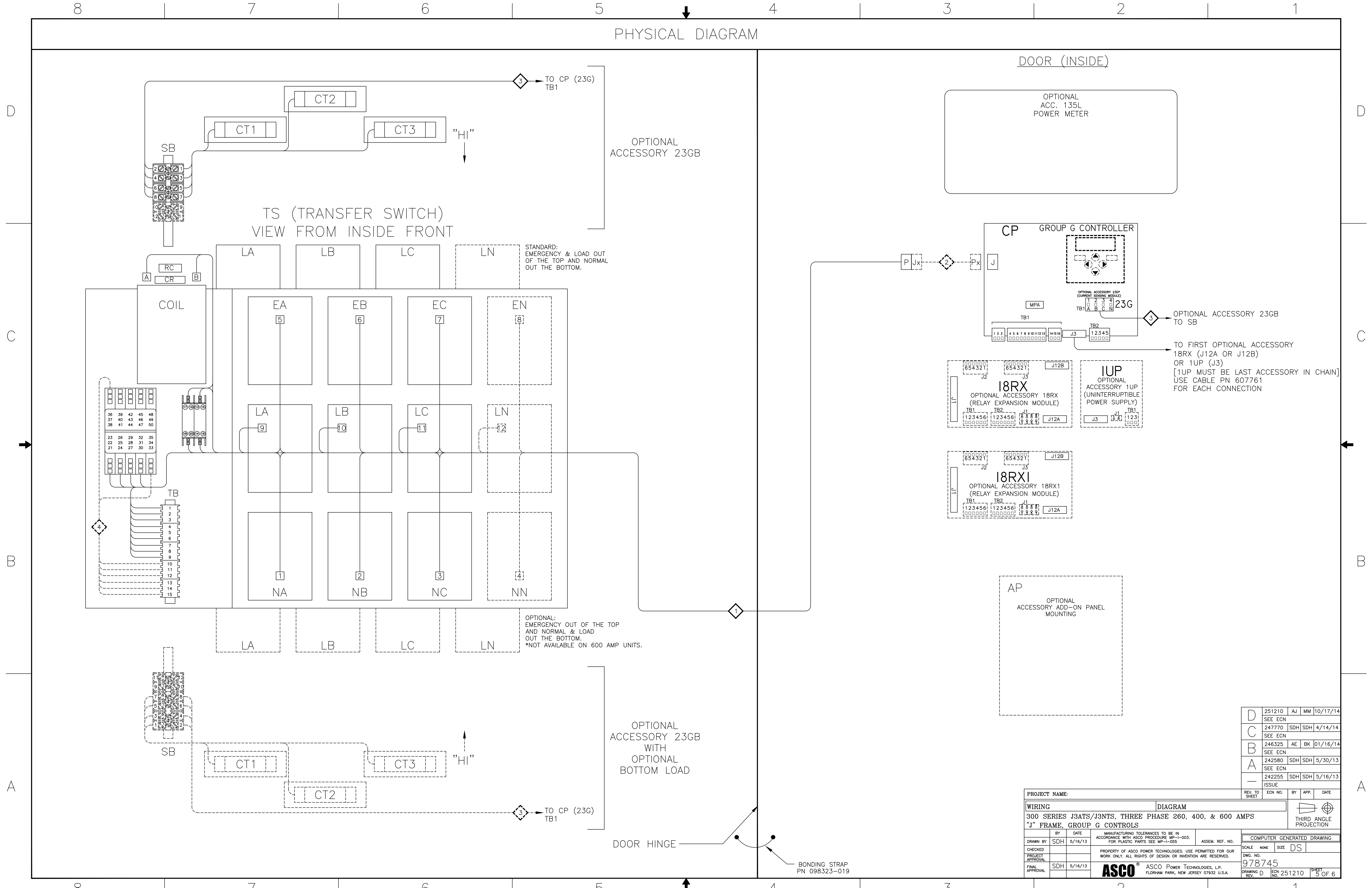
D	251210	AJ	MM	10/17/14
SEE ECN				
C	247770	SDH	SDH	4/14/14
SEE ECN				
B	246325	AE	BK	01/16/14
SEE ECN				
A	242580	SDH	SDH	5/30/13
SEE ECN				
-	242255	SDH	SDH	5/16/13
ISSUE				

PROJECT NAME:		REV. TO SHEET	ECN NO.	BY	APP.	DATE
WIRING DIAGRAM						
300 SERIES J3ATS/J3NTS, THREE PHASE 260, 400, & 600 AMPS						
"J" FRAME, GROUP G CONTROLS						
DRAWN BY	SDH	DATE	5/16/13	MANUFACTURING TOLERANCES TO BE IN ACCORDANCE WITH ASCO PROCEDURE MP-1-003. FOR PLASTIC PARTS SEE MP-1-055.	ASSEM. REF. NO.	COMPUTER GENERATED DRAWING
CHECKED				PROPERTY OF ASCO POWER TECHNOLOGIES. USE PERMITTED FOR OUR WORK ONLY. ALL RIGHTS OF DESIGN OR INVENTION ARE RESERVED.		SCALE NONE SIZE DS
PROJECT APPROVAL						DWG. NO. 978745
FINAL APPROVAL	SDH	5/16/13				DRAWING REV. D ECN NO. 251210 SHEET 4 OF 6

**ASCO** ASCO POWER TECHNOLOGIES, L.P.  
FLORHAM PARK, NEW JERSEY 07932 U.S.A.



PHYSICAL DIAGRAM



DOOR (INSIDE)

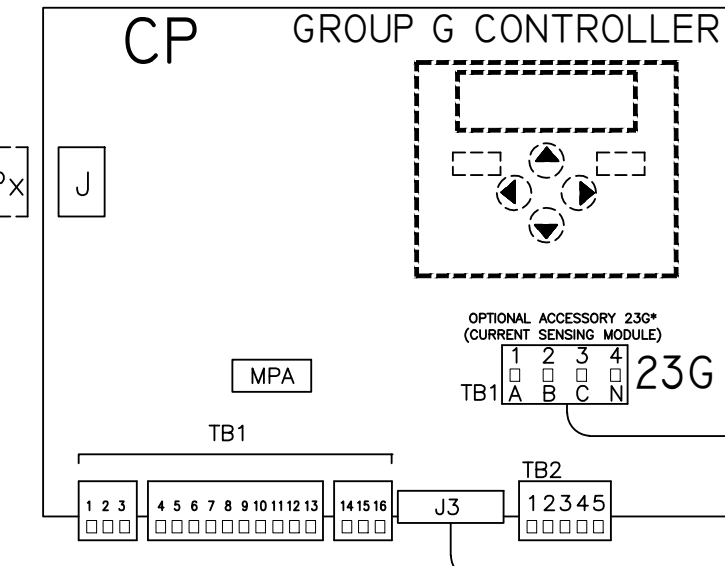
OPTIONAL ACC. 135L POWER METER

OPTIONAL ACCESSORY 23GB

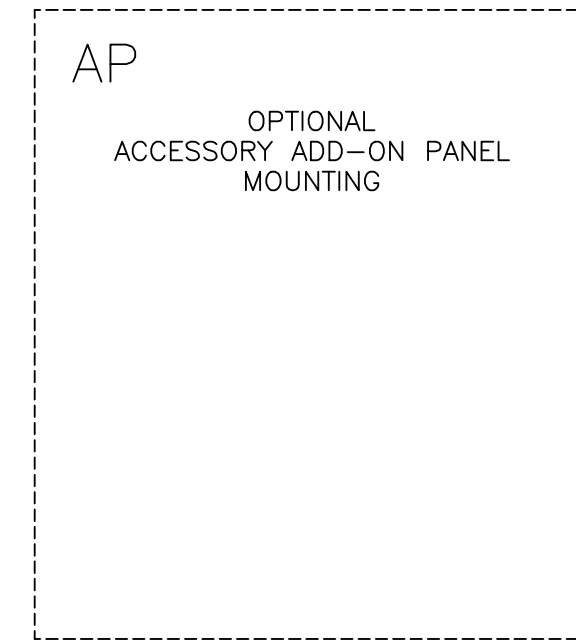
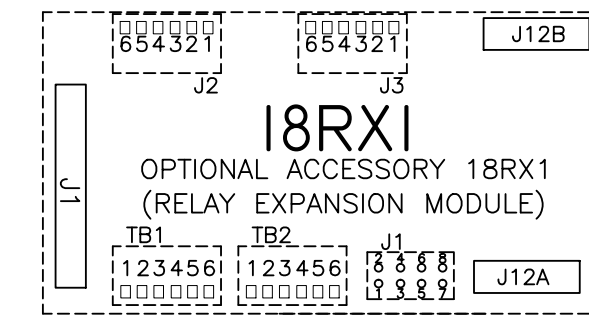
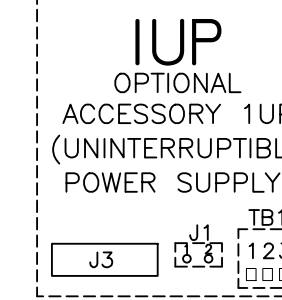
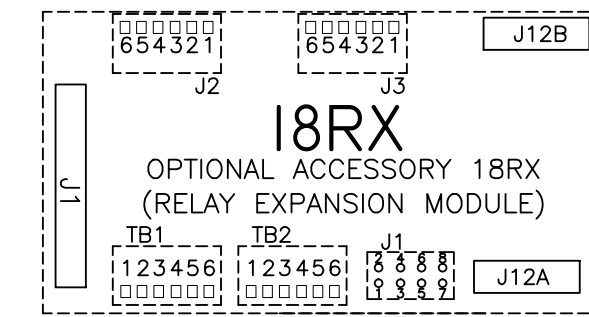
TS (TRANSFER SWITCH)  
VIEW FROM INSIDE FRONT

STANDARD:  
EMERGENCY & LOAD OUT  
OF THE TOP AND NORMAL  
OUT THE BOTTOM.

OPTIONAL:  
EMERGENCY OUT OF THE TOP  
AND NORMAL & LOAD  
OUT THE BOTTOM.  
\*NOT AVAILABLE ON 600 AMP UNITS.



OPTIONAL ACCESSORY 23G TO SB  
TO FIRST OPTIONAL ACCESSORY 18RX (J12A OR J12B) OR 1UP (J3)  
[1UP MUST BE LAST ACCESSORY IN CHAIN] USE CABLE PN 607761 FOR EACH CONNECTION



OPTIONAL ACCESSORY 23GB WITH OPTIONAL BOTTOM LOAD

DOOR HINGE

BONDING STRAP  
PN 098323-019

D	251210	AJ	MM	10/17/14
SEE ECN				
C	247770	SDH	SDH	4/14/14
SEE ECN				
B	246325	AE	BK	01/16/14
SEE ECN				
A	242580	SDH	SDH	5/30/13
SEE ECN				
-	242255	SDH	SDH	5/16/13
ISSUE				

PROJECT NAME:		REV. TO SHEET	ECN NO.	BY	APP.	DATE
WIRING DIAGRAM						
300 SERIES J3A/Ts/J3N/Ts, THREE PHASE 260, 400, & 600 AMPS "J" FRAME, GROUP G CONTROLS						
DRAWN BY	SDH	DATE	5/16/13	MANUFACTURING TOLERANCES TO BE IN ACCORDANCE WITH ASCO PROCEDURE MP-1-003. FOR PLASTIC PARTS SEE MP-1-055.	ASSEM. REF. NO.	COMPUTER GENERATED DRAWING
CHECKED				PROPERTY OF ASCO POWER TECHNOLOGIES. USE PERMITTED FOR OUR WORK ONLY. ALL RIGHTS OF DESIGN OR INVENTION ARE RESERVED.		SCALE NONE SIZE DS
PROJECT APPROVAL						DWG. NO. 978745
FINAL APPROVAL	SDH	DATE	5/16/13			DRAWING REV. D ECN NO. 251210 SHEET 5 OF 6
				ASCO Power Technologies, L.P. FLORHAM PARK, NEW JERSEY 07932 U.S.A.		

