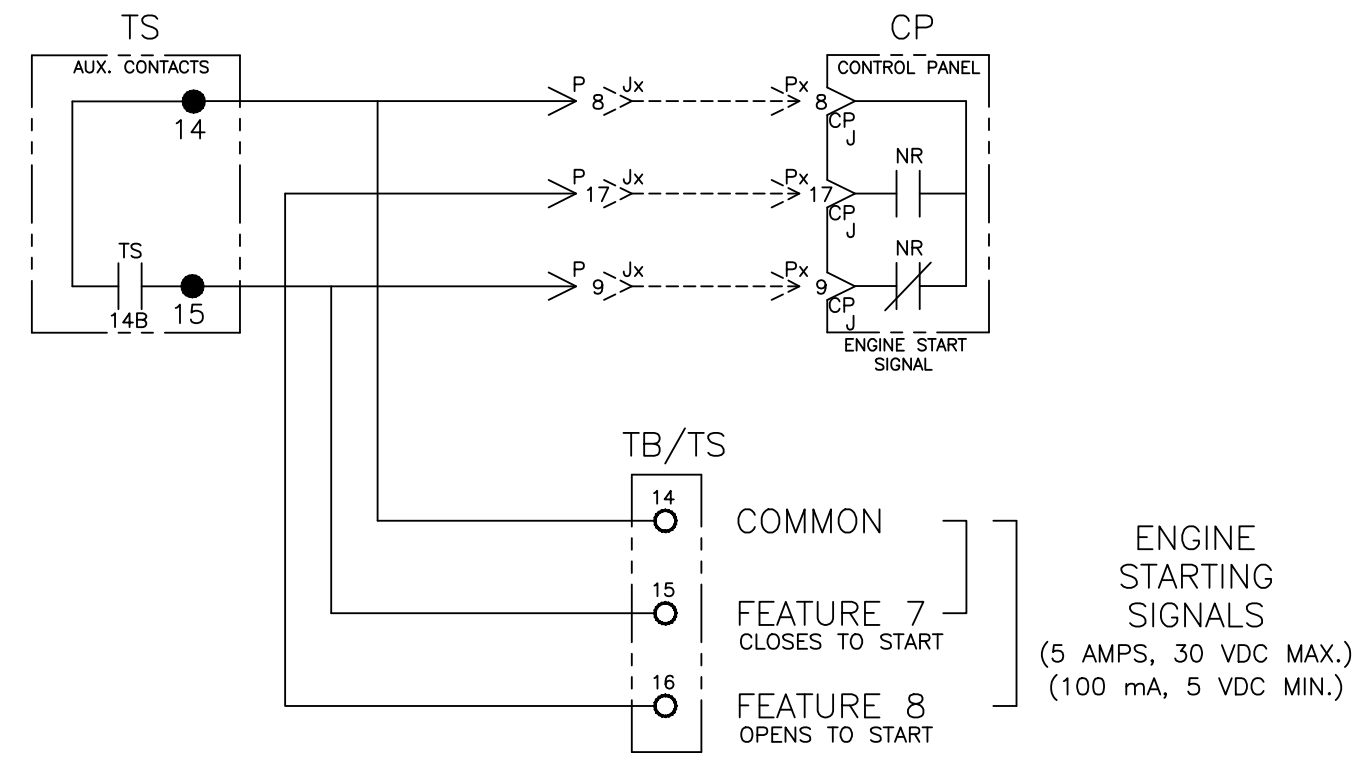
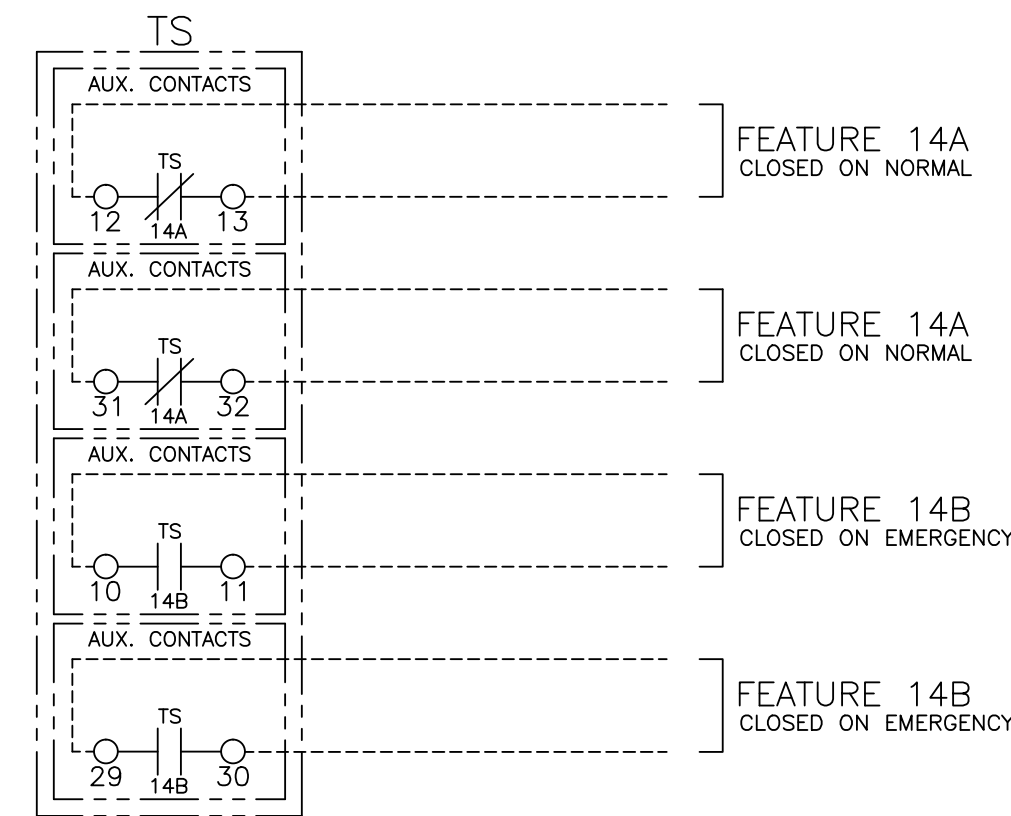


FIELD CONNECTIONS

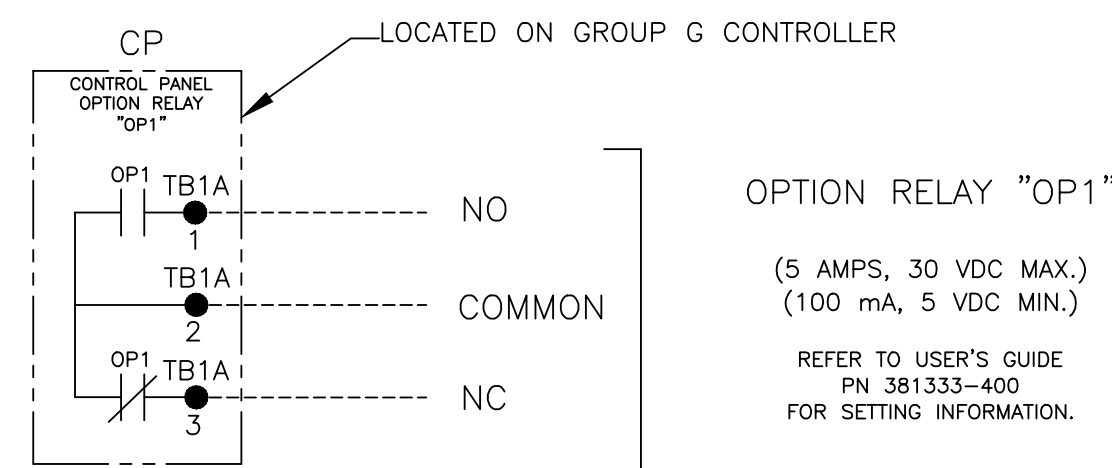


ENGINE STARTING SIGNALS
(5 AMPS, 30 VDC MAX.)
(100 mA, 5 VDC MIN.)



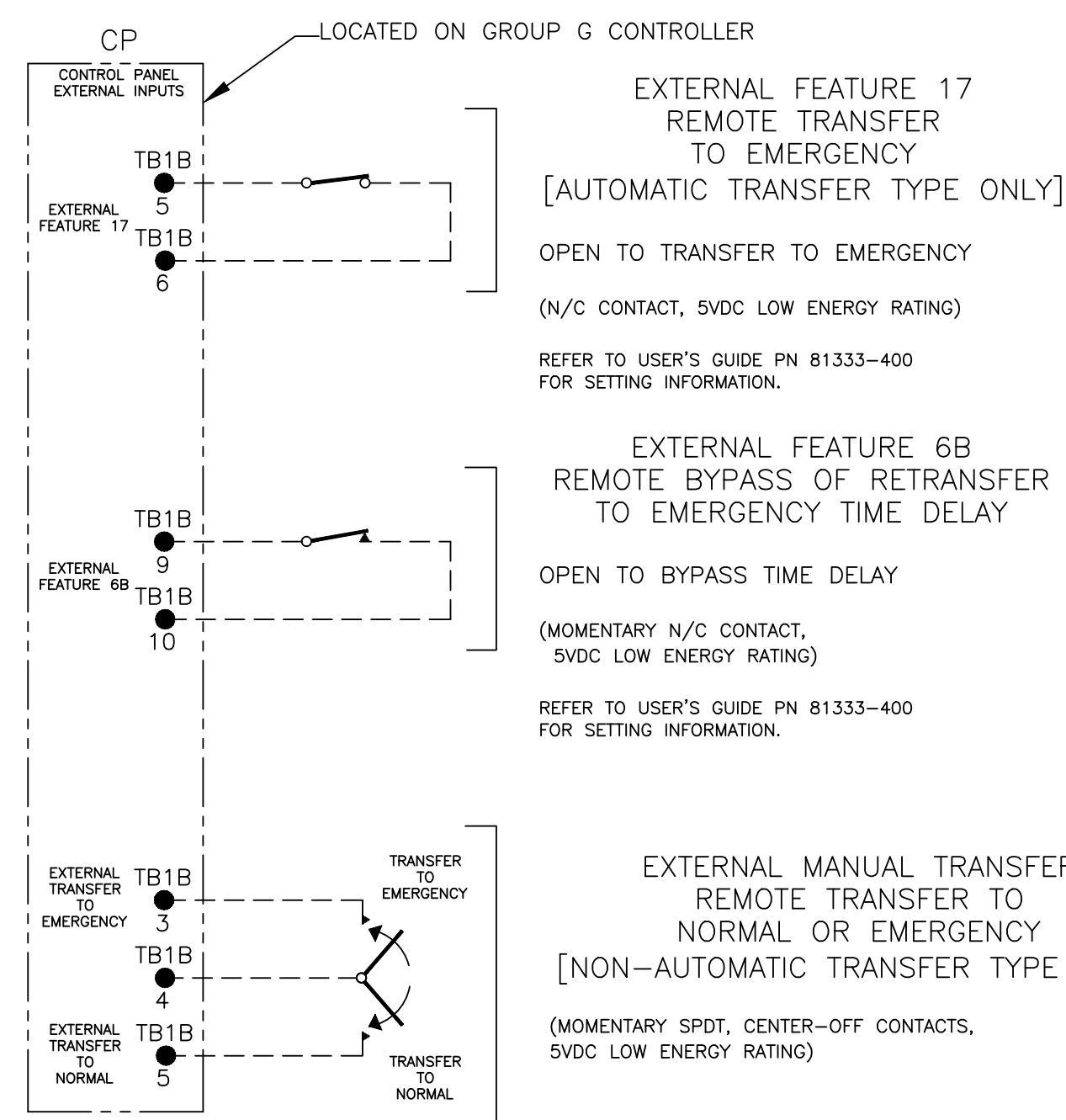
TS AUXILIARY CONTACTS FEATURE
14AA & 14BA
(10 AMPS, 32VDC)
(10 AMPS, 480VAC)
GENERAL PURPOSE

CONTROLLER OPTION RELAY "OP1" (STANDARD)



OPTION RELAY "OP1"
(5 AMPS, 30 VDC MAX.)
(100 mA, 5 VDC MIN.)
REFER TO USER'S GUIDE
PN 381333-400
FOR SETTING INFORMATION.

CONTROLLER REMOTE CONTROL FEATURES

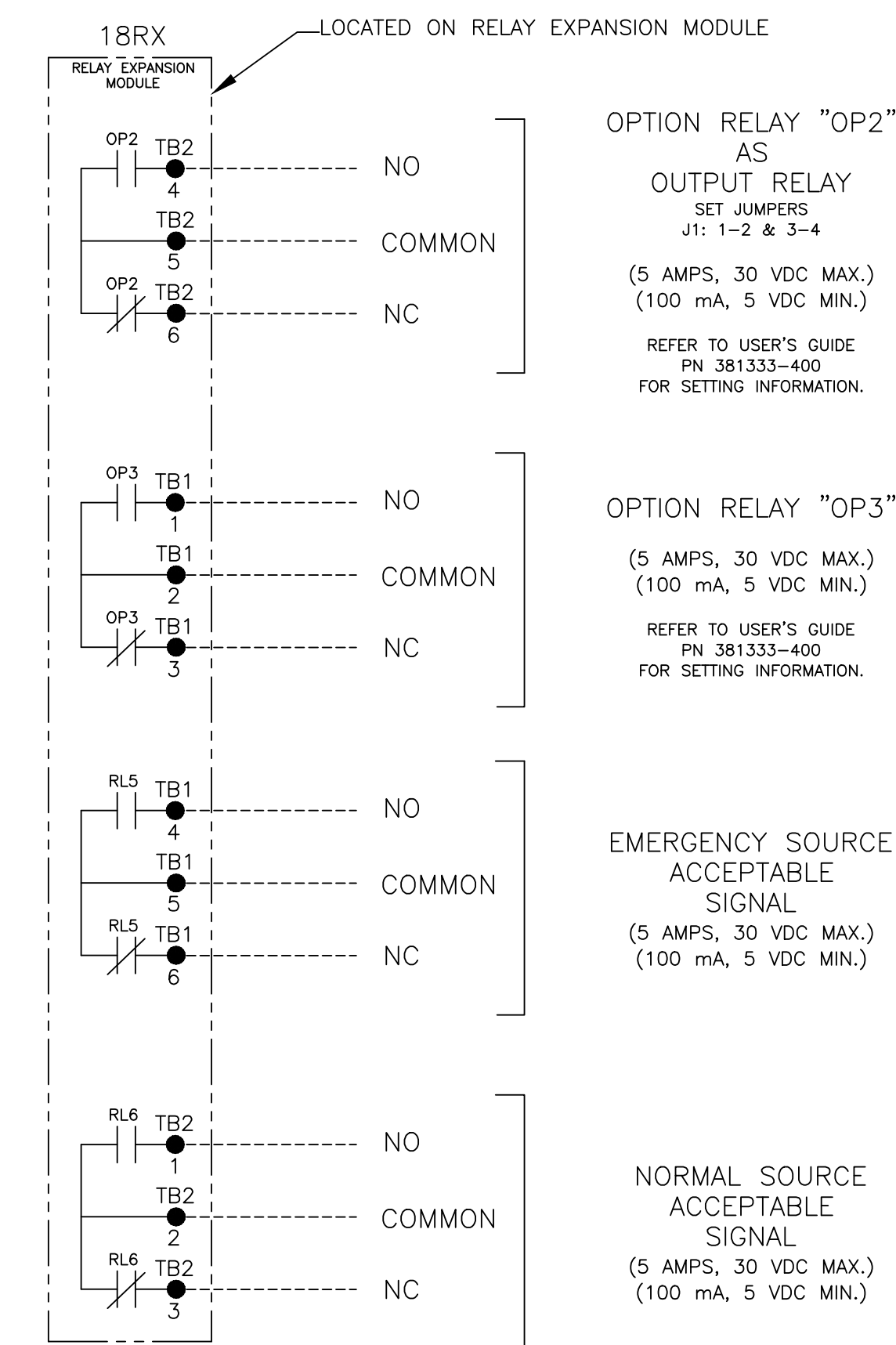


EXTERNAL FEATURE 17
REMOTE TRANSFER
TO EMERGENCY
[AUTOMATIC TRANSFER TYPE ONLY]
OPEN TO TRANSFER TO EMERGENCY
(N/C CONTACT, 5VDC LOW ENERGY RATING)
REFER TO USER'S GUIDE PN 81333-400
FOR SETTING INFORMATION.

EXTERNAL FEATURE 6B
REMOTE BYPASS OF RETRANSFER
TO EMERGENCY TIME DELAY
OPEN TO BYPASS TIME DELAY
(MOMENTARY N/C CONTACT,
5VDC LOW ENERGY RATING)
REFER TO USER'S GUIDE PN 81333-400
FOR SETTING INFORMATION.

EXTERNAL MANUAL TRANSFER
REMOTE TRANSFER TO
NORMAL OR EMERGENCY
[NON-AUTOMATIC TRANSFER TYPE ONLY]
(MOMENTARY SPDT, CENTER-OFF CONTACTS,
5VDC LOW ENERGY RATING)

OPTIONAL ACCESSORY 18RX (RELAY EXPANSION MODULE)



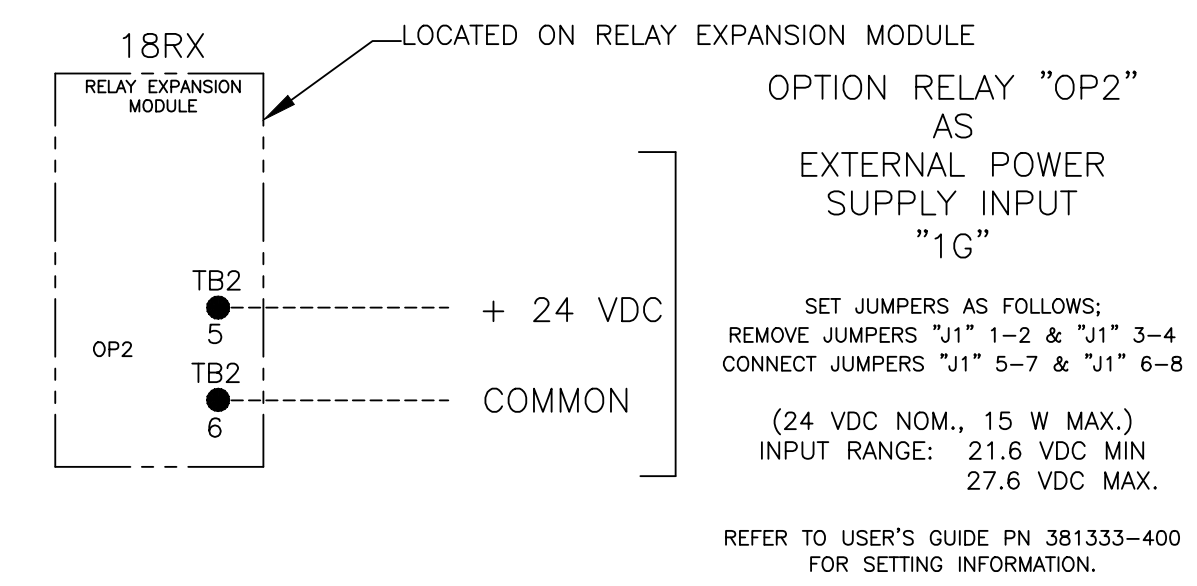
OPTION RELAY "OP2"
AS
OUTPUT RELAY
SET JUMPERS
J1: 1-2 & 3-4
(5 AMPS, 30 VDC MAX.)
(100 mA, 5 VDC MIN.)
REFER TO USER'S GUIDE
PN 381333-400
FOR SETTING INFORMATION.

OPTION RELAY "OP3"
(5 AMPS, 30 VDC MAX.)
(100 mA, 5 VDC MIN.)
REFER TO USER'S GUIDE
PN 381333-400
FOR SETTING INFORMATION.

EMERGENCY SOURCE
ACCEPTABLE
SIGNAL
(5 AMPS, 30 VDC MAX.)
(100 mA, 5 VDC MIN.)

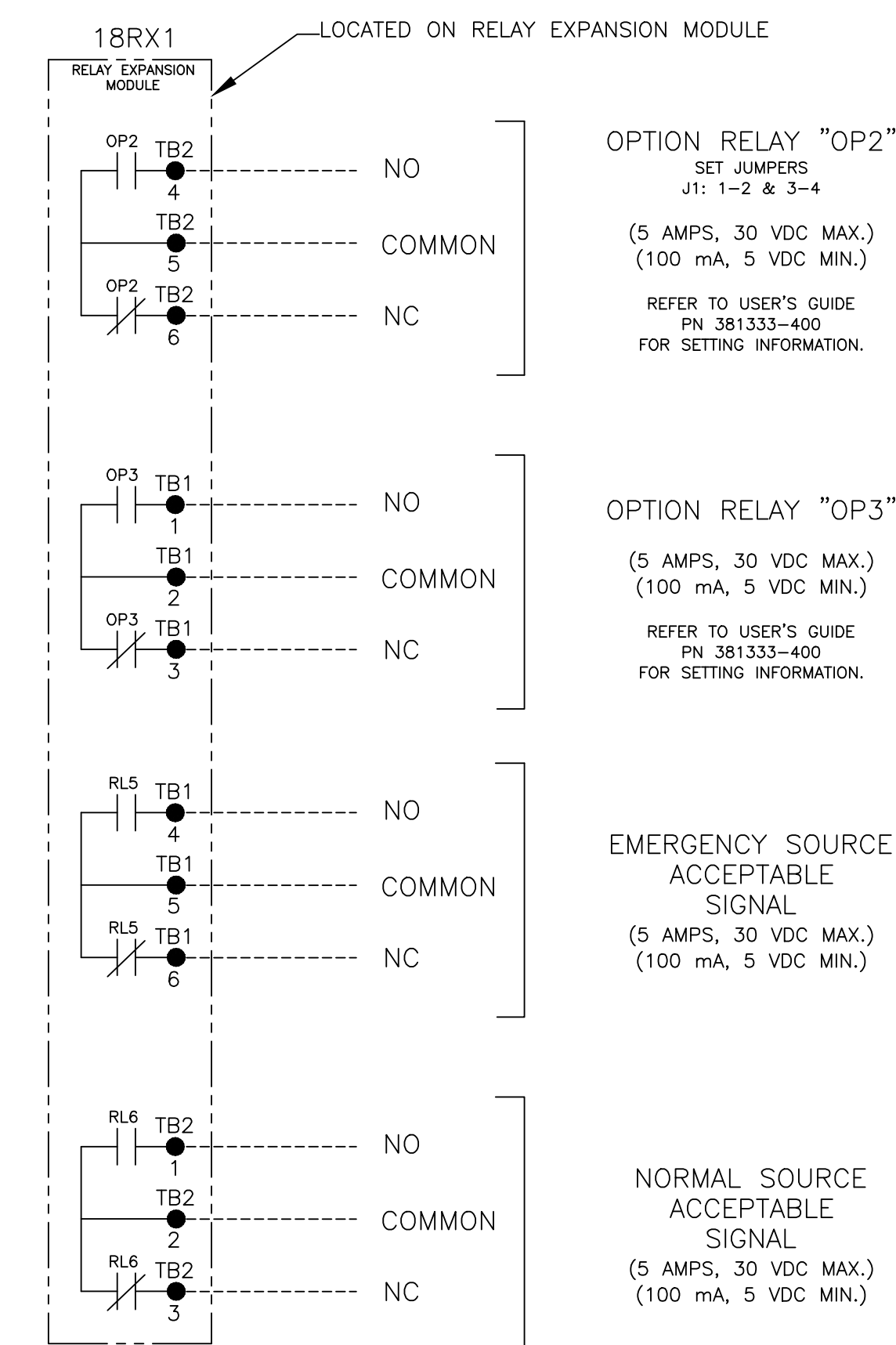
NORMAL SOURCE
ACCEPTABLE
SIGNAL
(5 AMPS, 30 VDC MAX.)
(100 mA, 5 VDC MIN.)

"OP2"
OPTIONAL
USES



OPTION RELAY "OP2"
AS
EXTERNAL POWER
SUPPLY INPUT
"1C"
SET JUMPERS AS FOLLOWS:
REMOVE JUMPERS "J1" 1-2 & "J1" 3-4
CONNECT JUMPERS "J1" 5-7 & "J1" 6-8
(24 VDC NOM., 15 W MAX.)
INPUT RANGE: 21.6 VDC MIN
27.6 VDC MAX.
REFER TO USER'S GUIDE PN 381333-400
FOR SETTING INFORMATION.

OPTIONAL ACCESSORY 18RX1 (SECOND RELAY EXPANSION MODULE)



OPTION RELAY "OP2"
SET JUMPERS
J1: 1-2 & 3-4
(5 AMPS, 30 VDC MAX.)
(100 mA, 5 VDC MIN.)
REFER TO USER'S GUIDE
PN 381333-400
FOR SETTING INFORMATION.

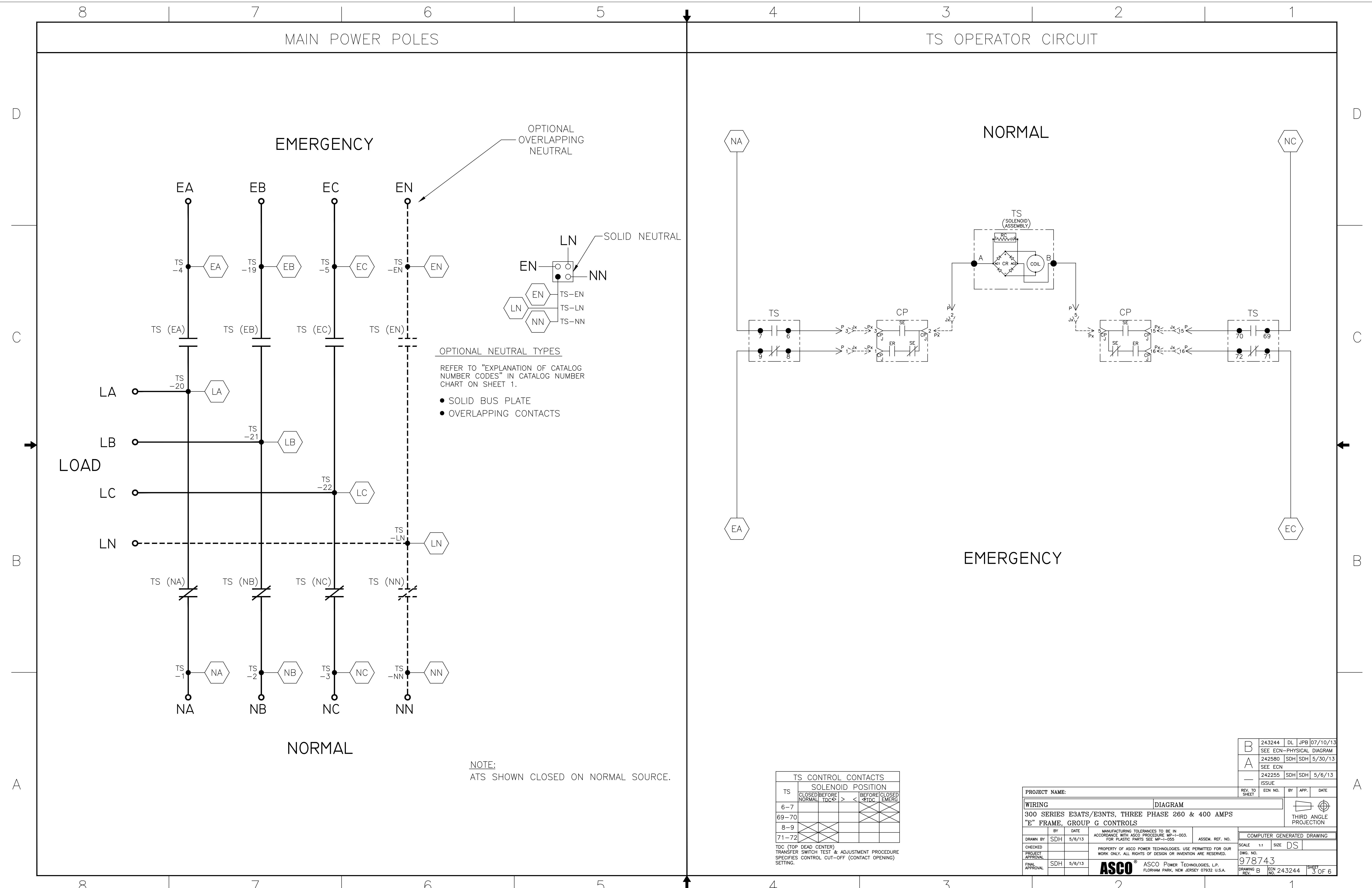
OPTION RELAY "OP3"
(5 AMPS, 30 VDC MAX.)
(100 mA, 5 VDC MIN.)
REFER TO USER'S GUIDE
PN 381333-400
FOR SETTING INFORMATION.

EMERGENCY SOURCE
ACCEPTABLE
SIGNAL
(5 AMPS, 30 VDC MAX.)
(100 mA, 5 VDC MIN.)

NORMAL SOURCE
ACCEPTABLE
SIGNAL
(5 AMPS, 30 VDC MAX.)
(100 mA, 5 VDC MIN.)

B	243244	DL	JPB	07/10/13
A	242580	SDH	SDH	5/30/13
-	242255	SDH	SDH	5/6/13

PROJECT NAME:		REV. TO SHEET	ECN NO.	BY	APP.	DATE
WIRING DIAGRAM						
300 SERIES E3ATS/E3NTS, THREE PHASE 260 & 400 AMPS		ASSEMBLY REF. NO.		COMPUTER GENERATED DRAWING		
"E" FRAME, GROUP G CONTROLS		SCALE 1:1		SIZE DS		
DRAWN BY	SDH	DATE	5/6/13	PROPERTY OF ASCO POWER TECHNOLOGIES. USE PERMITTED FOR OUR WORK ONLY. ALL RIGHTS OF DESIGN OR INVENTION ARE RESERVED.		
CHECKED		DATE		DWG. NO. 978743		
PROJECT APPROVAL		DATE		DRAWING REV. B		
FINAL APPROVAL	SDH	DATE	5/6/13	ECN NO. 243244		
ASCO POWER TECHNOLOGIES, L.P. FLORHAM PARK, NEW JERSEY 07932 U.S.A.				SHEET 2 OF 6		



EMERGENCY

NORMAL

TS OPERATOR CIRCUIT

NORMAL

EMERGENCY

OPTIONAL OVERLAPPING NEUTRAL

SOLID NEUTRAL

OPTIONAL NEUTRAL TYPES

REFER TO "EXPLANATION OF CATALOG NUMBER CODES" IN CATALOG NUMBER CHART ON SHEET 1.

- SOLID BUS PLATE
- OVERLAPPING CONTACTS

NOTE: ATS SHOWN CLOSED ON NORMAL SOURCE.

TS	SOLENOID POSITION			
	CLOSED BEFORE NORMAL	BEFORE TDC	TDC >	BEFORE CLOSED < TDC EMERG
6-7				
69-70				
8-9				
71-72				

TDC (TOP DEAD CENTER)
TRANSFER SWITCH TEST & ADJUSTMENT PROCEDURE
SPECIFIES CONTROL CUT-OFF (CONTACT OPENING) SETTING.

B	243244	DL	JPB	07/10/13
A	242580	SDH	SDH	5/30/13
-	242255	SDH	SDH	5/6/13

PROJECT NAME: _____

WIRING _____ DIAGRAM _____

300 SERIES E3ATS/E3NTS, THREE PHASE 260 & 400 AMPS

"E" FRAME, GROUP G CONTROLS

SCALE 1:1 SIZE DS

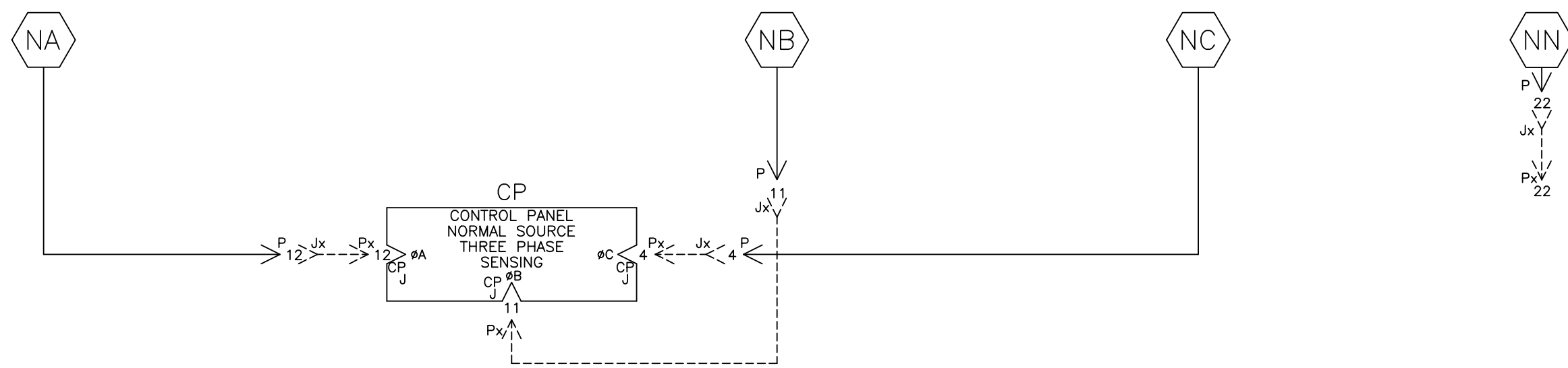
DWG. NO. 978743

ASCO POWER TECHNOLOGIES, L.P.
FLORHAM PARK, NEW JERSEY 07932 U.S.A.

REV. B ECN NO. 243244 SHEET 3 OF 6

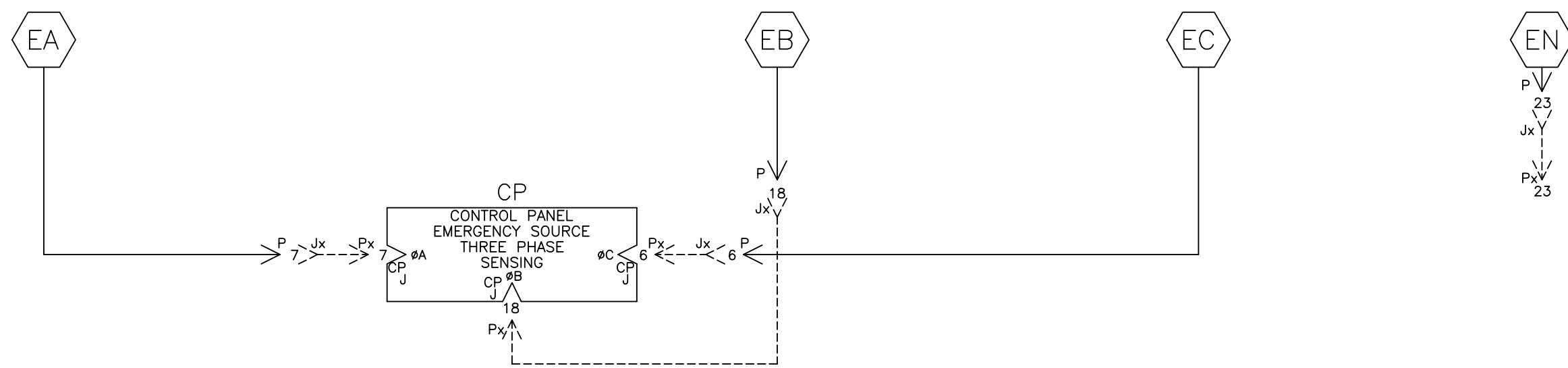
NORMAL SOURCE CIRCUITS

NORMAL



EMERGENCY SOURCE CIRCUITS

EMERGENCY

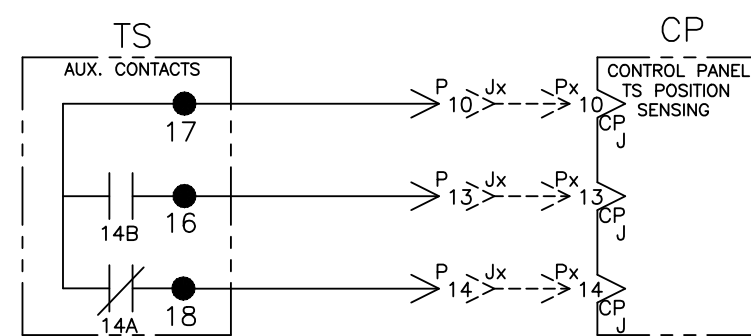


LOAD TERMINAL CIRCUITS

LOAD



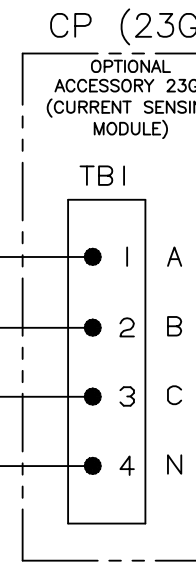
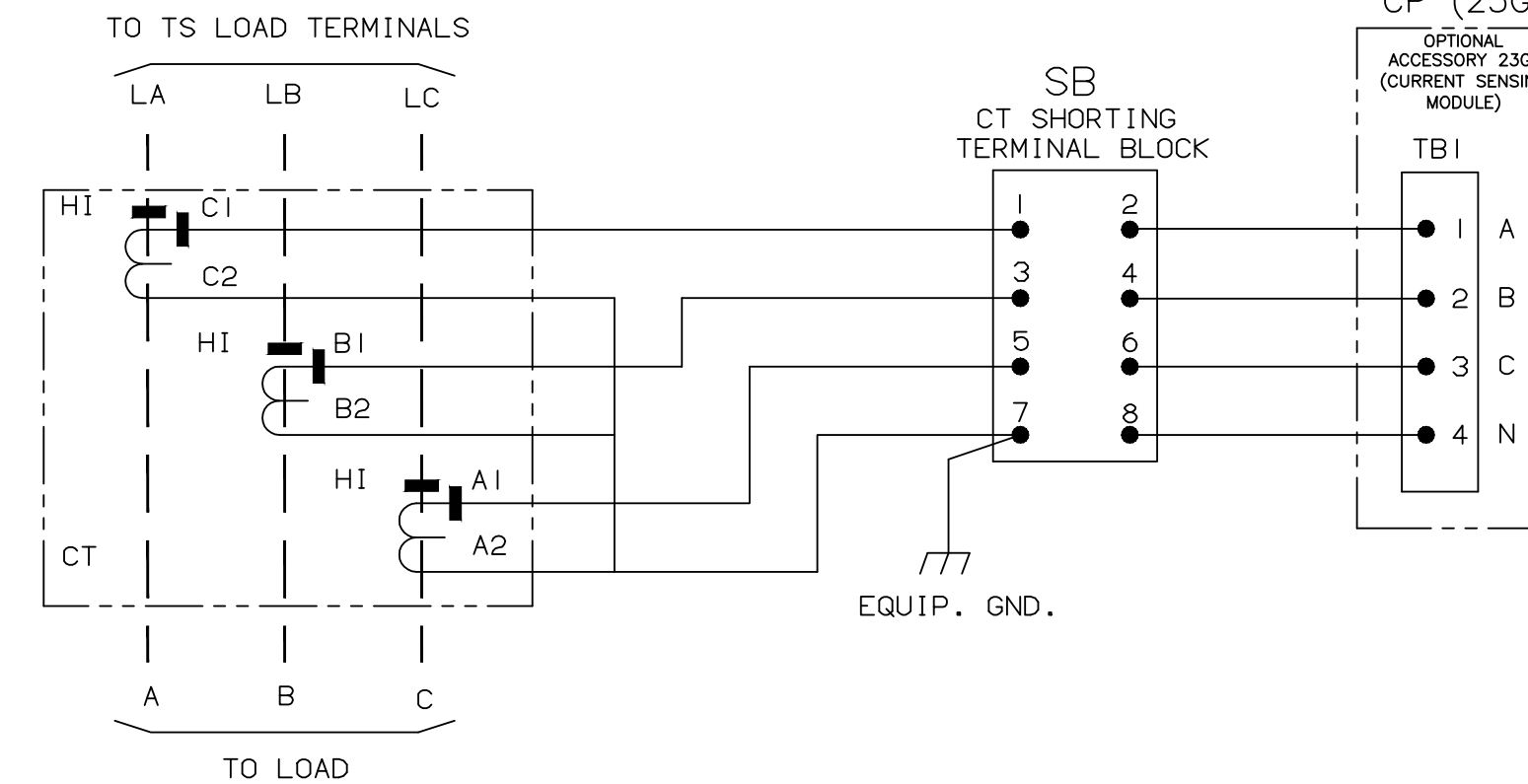
CONTROL SIGNALS & INDICATION



ADDITIONAL CIRCUITS

OPTIONAL ACCESSORY 23GB (LOAD CURRENT METERING)

SWITCH RATING	CT RATIO
260A	300:5A
400A	400:5A



B	243244	DL	JPB	07/10/13
A	242580	SDH	SDH	5/30/13
-	242255	SDH	SDH	5/16/13

PROJECT NAME: **WIRING DIAGRAM**
300 SERIES E3ATS/E3NTS, THREE PHASE 260 & 400 AMPS
"E" FRAME, GROUP G CONTROLS

BY	DATE	MANUFACTURING TOLERANCES TO BE IN ACCORDANCE WITH ASCO PROCEDURE MP-1-003. FOR PLASTIC PARTS SEE MP-1-055.	ASSEM. REF. NO.
SDH	5/16/13		
CHECKED		PROPERTY OF ASCO POWER TECHNOLOGIES. USE PERMITTED FOR OUR WORK ONLY. ALL RIGHTS OF DESIGN OR INVENTION ARE RESERVED.	
PROJECT APPROVAL			
FINAL APPROVAL	SDH 5/16/13		

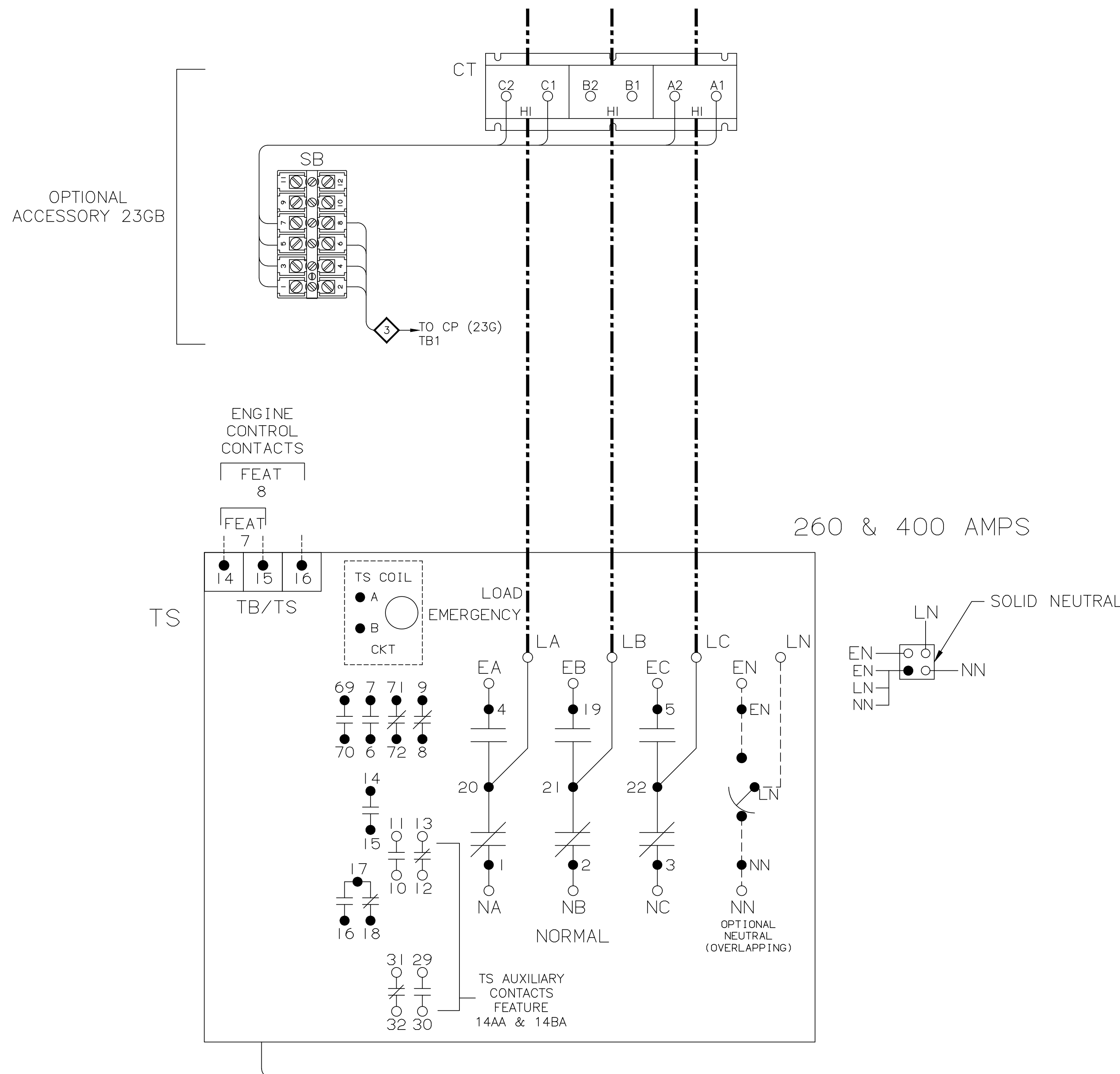
SCALE NONE SIZE DS
 DWG. NO. 978743
 DRAWING REV. B ECN NO. 243244 SHEET 4 OF 6

ASCO® ASCO POWER TECHNOLOGIES, L.P.
 FLORHAM PARK, NEW JERSEY 07932 U.S.A.

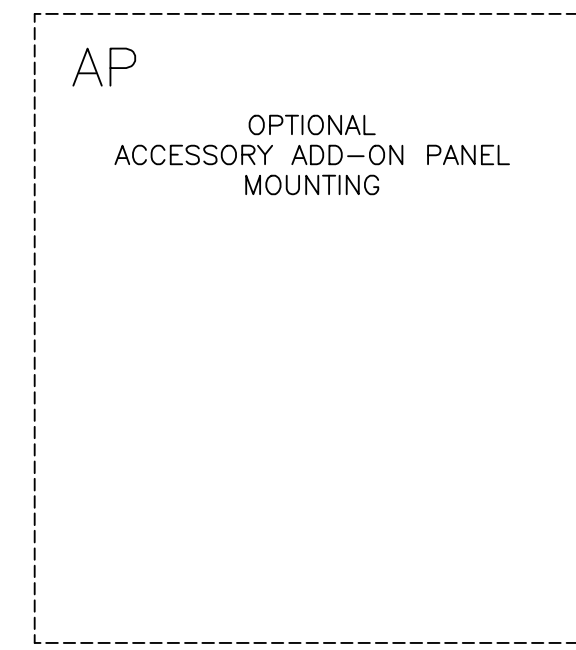
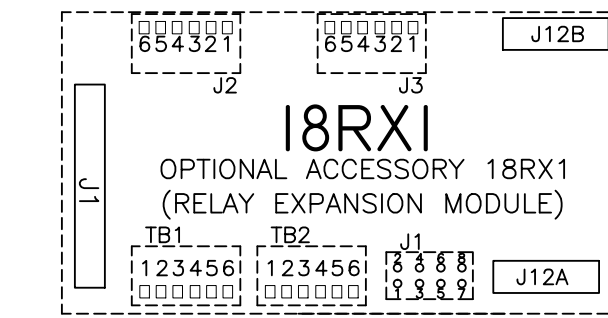
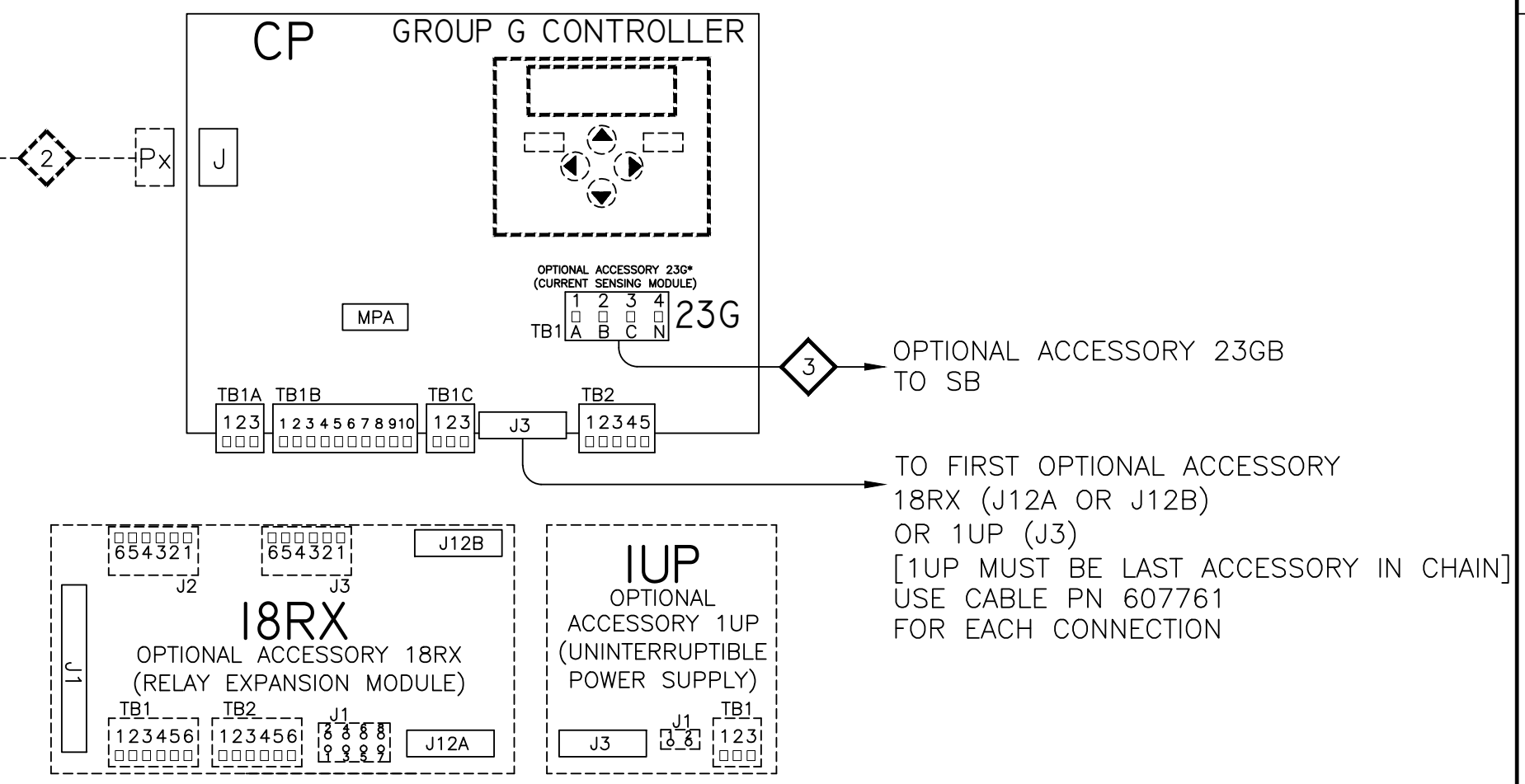
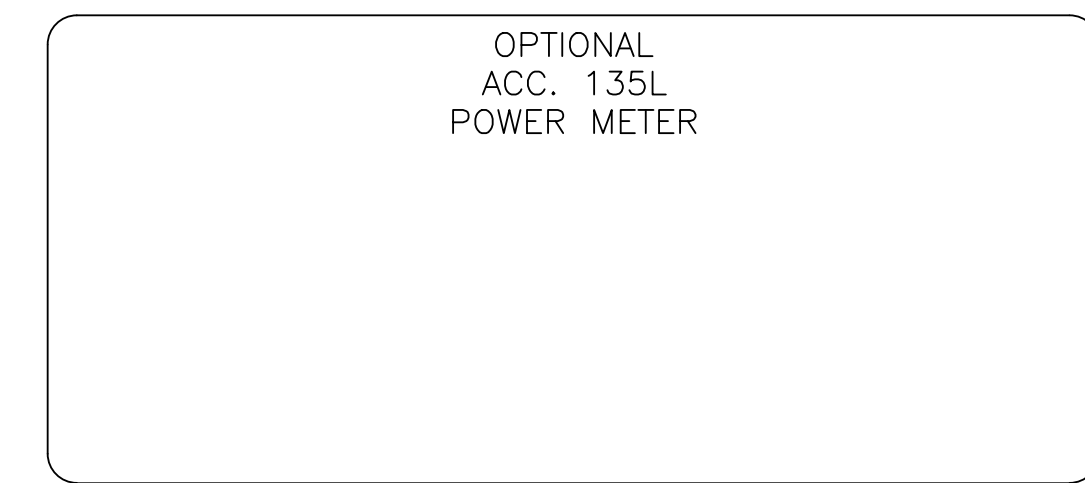
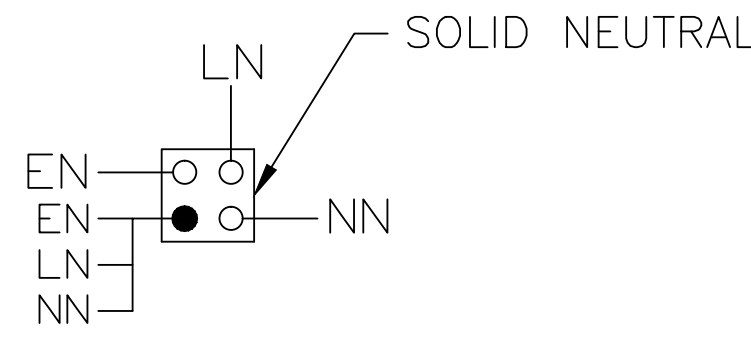
PHYSICAL DIAGRAM

ENCLOSURE

DOOR (INSIDE)



260 & 400 AMPS



B	243244	DL	JPB	07/10/13
A	242580	SDH	SDH	5/30/13
-	242255	SDH	SDH	5/16/13

PROJECT NAME:		DIAGRAM		REV. TO SHEET	ECN. NO.	BY	APP.	DATE
WIRING		300 SERIES E3ATS/E3NTS, THREE PHASE 260 & 400 AMPS "E" FRAME, GROUP G CONTROLS		ASSEM. REF. NO.		COMPUTER GENERATED DRAWING		
DRAWN BY	SDH	DATE	5/16/13	PROPERTY OF ASCO POWER TECHNOLOGIES. USE PERMITTED FOR OUR WORK ONLY. ALL RIGHTS OF DESIGN OR INVENTION ARE RESERVED.		SCALE	NONE	SIZE DS
CHECKED				ASC POWER TECHNOLOGIES, L.P.		DWG. NO.	978743	
PROJECT APPROVAL				FLORHAM PARK, NEW JERSEY 07932 U.S.A.		DRAWING REV.	B	ECN. NO. 243244
FINAL APPROVAL	SDH	DATE	5/16/13	ASCO		STREET	5 OF 6	

