

THREE PHASE WIRING FOR ASCO® 300 SERIES TRANSFER SWITCHES (G3ATS/G3NTS) 1000-3000 AMPERES WITH GROUP G CONTROLS

GENERAL INFORMATION

THIS WIRING APPLIES TO 300 SERIES TRANSFER SWITCHES THAT UTILIZE THE "G" FRAME POWER TRANSFER SWITCH RATED 1000 - 3000 AMPERES.

THE GROUP G CONTROLLER PROVIDES EITHER AUTOMATIC (D3ATS) OR NON-AUTOMATIC [MANUAL] (D3NTS) OPERATION BASED ON ITS FACTORY SETTING ACCORDING TO THE CUSTOMER ORDER REQUIREMENTS.

THE TYPE OF TRANSFER SWITCH PROVIDED CAN BE DETERMINED FROM THE PRODUCT IDENTIFICATION MARKINGS LOCATED ON BOTH THE POWER TRANSFER SWITCH AND THE COVER OF THE GROUP G CONTROLLER.

ALL OPERATIONAL SETTINGS AND SEQUENCES OF THE GROUP G CONTROLLER AND ITS RELATED OPTIONAL ACCESSORIES (1UP, 18RX, 23G) ARE PROVIDED IN THE USER'S GUIDE, ASCO GROUP G CONTROLLER FOR AUTOMATIC & NON-AUTOMATIC TRANSFER SWITCHES, PART NUMBER 381333-400.

INFORMATION FOR INSTALLATION AND TESTING OF THE TRANSFER SWITCH IS PROVIDED IN THE INSTALLATION MANUAL, ASCO 3ATS & 3NTS, D-DESIGN 1000-3000 A TRANSFER SWITCHES, PART NUMBER 381333-406.

COMMON ALARM & NOT IN AUTO SIGNALING FEATURES

A SET OF FORM C CONTACTS IS PROVIDED ON THE GROUP G CONTROLLER AS "OP1". THE FEATURE SETTING OF "OP1" CAN BE SET TO OPERATE THE CONTACTS AS A "NOT IN AUTO" SIGNAL.

WHEN "OP1" IS SET FOR "NOT IN AUTO", THE OUTPUT CONTACTS CHANGE POSITION WHEN THE TRANSFER IS BEING INHIBITED FROM TRANSFERRING TO THE EMERGENCY SOURCE (FEATURE 34B) OR THE TRANSFER SWITCH HAS BEEN SET FOR NON-AUTOMATIC (MANUAL) OPERATION.

WHEN OPTIONAL ACCESSORY 11BE "SOFTWARE BUNDLE" IS PART OF THE TRANSFER SWITCH ASSEMBLY, "OP1" MAY ALTERNATIVELY SET FOR A "COMMON ALARM" SIGNAL. THE OUTPUT CONTACTS CHANGE POSITION WHEN A "COMMON ALARM" IS NOT PRESENT AND RESET WHEN A "COMMON ALARM" CONDITION IS PRESENT. THE "COMMON ALARM" SIGNAL CONDITIONS ARE SELECTABLE.

ADDITIONAL "COMMON ALARM" AND "NOT IN AUTO" CONTACTS ARE AVAILABLE WHEN OPTIONAL ACCESSORY 18RX (RELAY EXPANSION MODULE) IS INCLUDED IN THE TRANSFER SWITCH ASSEMBLY. OUTPUT CONTACTS "OP2 AND/OR "OP3" WILL PROVIDE SIGNAL FUNCTIONS WHEN THE FEATURE SETTING OF EACH IS SET TO OPERATE AS "COMMON ALARM" OR "NOT IN AUTO".

CONTACTS ARE RATED 5 AMPS RESISTIVE AT 30 VDC MAXIMUM, 100 mA AT 5 VDC MINIMUM.

REFER TO USER'S GUIDE, ASCO GROUP G CONTROLLER FOR AUTOMATIC & NON-AUTOMATIC TRANSFER SWITCHES, PART NUMBER 381333-400 FOR SETTING INFORMATION.

NON-AUTOMATIC (MANUAL) OPERATION

TRANSFER SWITCH ASSEMBLIES FACTORY SET FOR NON-AUTOMATIC OPERATION PROVIDE USER INITIATED, ELECTRICAL OPERATION OF THE TRANSFER SWITCH TO EITHER AVAILABLE SOURCE. THE TRANSFER SWITCH ASSEMBLY IS PHYSICALLY IDENTICAL TO THAT OF THE AUTOMATIC TYPE.

WHEN THE TRANSFER SWITCH IS SET FOR NON-AUTOMATIC OPERATION, A CUSTOMER PROVIDED SELECTOR SWITCH MAY BE USED TO OPERATE IT FROM A REMOTE LOCATION.

REMOTE CONTROL FEATURES

THE FOLLOWING CONTROL PANEL INPUTS PROVIDE REMOTE CONTROL FUNCTIONS FOR THE TRANSFER SWITCH. EACH FUNCTION CAN BE IMPLEMENTED BY THE CUSTOMER PROVIDING THE FORM OF CONTROL DESCRIBED. EACH CONTROL CONTACT MUST BE SUITABLE FOR A 5 VDC LOW ENERGY CIRCUIT.

EXTERNAL FEATURE 17: REMOTE TRANSFER TO EMERGENCY FEATURE (FOR AUTOMATIC TRANSFER TYPE ONLY) - REQUIRES A CUSTOMER SUPPLIED, NORMALLY CLOSED CONTACT. OPENING OF THE CONTACT CAUSES ENGINE START AND TRANSFER TO THE EMERGENCY SOURCE. RE-CLOSURE OF THE CONTACT ACTIVATES THE FEATURE 3A "RETRANSFER TO NORMAL (IF JUST TEST) TIME DELAY PRIOR TO RETRANSFER. IN THE EVENT THAT THE EMERGENCY SOURCE FAILS WHILE THE TRANSFER SWITCH IS CONNECTED TO EMERGENCY AND THE CUSTOMER SUPPLIED CONTACT IS OPEN, THE TRANSFER SWITCH WILL AUTOMATICALLY RETRANSFER TO THE NORMAL SOURCE.

EXTERNAL FEATURE 6B: REMOTE BYPASS OF RETRANSFER TO NORMAL TIME DELAY - REQUIRES A CUSTOMER SUPPLIED, NORMALLY CLOSED CONTACT. OPENING OF THE CONTACT BYPASSES FEATURE 3A RETRANSFER TO NORMAL DELAY IF ACTIVE.

REFER TO USER'S GUIDE, ASCO GROUP G CONTROLLER FOR AUTOMATIC & NON-AUTOMATIC TRANSFER SWITCHES, PART NUMBER 381333-400 FOR SETTING INFORMATION.

ENGINE CONTROL CONTACTS

FEATURE 7 & FEATURE 8:
ONE SET OF FORM C CONTACTS "NR" (FEAT. 7 N/C, FEAT. 8 N/O) THAT CHANGE POSITION ON EXPIRATION OF THE FEATURE 1C, OVERRIDE MOMENTARY NORMAL SOURCE OUTAGES TIME DELAY, AND RESET ON EXPIRATION OF THE FEATURE 2E ENGINE COOLDOWN TIME DELAY.

AN AUXILIARY CONTACT THAT IS CLOSED WHEN THE TRANSFER SWITCH IS CONNECTED TO THE EMERGENCY SOURCE, IS CONNECTED ACROSS THE N/C CONTACT (FEATURE 7).

AN ADDITIONAL SET OF ENGINE STARTING CONTACTS ARE AVAILABLE ON THE GROUP G CONTROLLER WHEN THE FEATURE SETTING OF THE CONTROLLER OUTPUT CONTACTS "OP1" IS SET TO OPERATE AS "NR2".

ADDITIONAL, OPTIONAL ENGINE STARTING CONTACTS "NR2" ARE AVAILABLE WHEN OPTIONAL ACCESSORY 18RX (RELAY EXPANSION MODULE) IS INCLUDED IN THE TRANSFER SWITCH ASSEMBLY. OUTPUT CONTACTS "OP2" AND/OR "OP3" PROVIDE THE ENGINE STARTING FUNCTION WHEN THE FEATURE SETTING OF EACH IS SET TO OPERATE AS "NR2".

CONTACTS ARE RATED 5 AMPS RESISTIVE AT 30 VDC MAXIMUM, 100 mA AT 5 VDC MINIMUM.

REFER TO USER'S GUIDE, ASCO GROUP G CONTROLLER FOR AUTOMATIC & NON-AUTOMATIC TRANSFER SWITCHES, PART NUMBER 381333-400 FOR SETTING INFORMATION.

EXTERNAL POWER SUPPLY COMPATIBILITY

USE OF AN EXTERNAL POWER SUPPLY IS USEFUL WHEN REQUIRED TO EXTEND THE FOLLOWING CONTROLLER TIME DELAYS BEYOND 6 SECONDS:

FEATURE 1C - OVERRIDE MOMENTARY NORMAL SOURCE OUTAGES
FEATURE 1F - OVERRIDE MOMENTARY EMERGENCY SOURCE OUTAGES

AN EXTERNAL POWER SUPPLY IS ALSO USEFUL WHEN THE TRANSFER SWITCH IS USED WITH COMMUNICATIONS FEATURES BY ENABLING THE CONTROLLER TO CONTINUE COMMUNICATING.

AN EXTERNAL POWER SOURCE MAY BE PROVIDED TO THE CONTROLLER, UNTIL THE NORMAL SOURCE OR EMERGENCY SOURCE IS AVAILABLE, BY USE OF:

- AN EXTERNAL 24 VDC POWER SUPPLY WITH ACCESSORY 18RX (RELAY EXPANSION MODULE) OR
- OPTIONAL ACCESSORY 1UP (UNINTERRUPTIBLE POWER SUPPLY MODULE)

EXTERNAL 24 VDC POWER SUPPLY "1G":
AN EXTERNAL 24 VDC POWER SUPPLY MAY BE USED TO POWER THE CONTROLLER WHEN ACCESSORY 18RX (RELAY EXPANSION MODULE) IS INCLUDED IN THE TRANSFER SWITCH ASSEMBLY. OUTPUT CONTACTS "OP2" WILL PROVIDE EXTERNAL 24 VDC POWER SUPPLY FUNCTIONALITY WHEN ITS FEATURE SETTING IS SET TO OPERATE AS "1G". ADDITIONALLY, JUMPERS MUST BE RECONFIGURED ON ACCESSORY 18RX (RELAY EXPANSION MODULE) TO ENABLE THIS FUNCTION AS FOLLOWS:

REMOVE JUMPERS "J1" 1-2 & "J1" 3-4
CONNECT JUMPERS "J1" 5-7 & "J1" 6-8

THE OUTPUT CONTACTS CHANGE POSITION WHEN EITHER THE NORMAL SOURCE OR EMERGENCY SOURCE IS AVAILABLE AND RESET WHEN NEITHER SOURCE IS AVAILABLE. THE "OP2" N/C CONTACT SWITCHES CUSTOMER PROVIDED +24 VDC FROM THE EXTERNAL POWER SUPPLY TO THE CONTROLLER.

REFER TO USER'S GUIDE, ASCO GROUP G CONTROLLER FOR AUTOMATIC & NON-AUTOMATIC TRANSFER SWITCHES, PART NUMBER 381333-400 FOR SETTING INFORMATION.

ACCESSORY 1UP (UNINTERRUPTIBLE POWER SUPPLY):
WHEN OPTIONAL ACCESSORY 1UP IS INCLUDED IN THE TRANSFER SWITCH ASSEMBLY, THE CONTROLLER IS PROVIDED WITH LIMITED RESERVE POWER (APPROXIMATELY 3 MINUTES).

LOAD DISCONNECT FEATURE

FEATURE 31: INCLUDES SUB-FEATURES 31F, 31G, 31M, 31N
A SET OF FORM C CONTACTS ARE PROVIDED ON THE GROUP G CONTROLLER AS "OP1". WHEN THE FEATURE SETTING OF "OP1" IS SET TO OPERATE THE CONTACTS AS "FEATURE 31", THE TIME DELAY SETTINGS OF THE SUB-FEATURES ARE AVAILABLE.

"OP1" CAN BE SET TO OPERATE TO PROVIDE THE FOLLOWING FUNCTIONS USING THE TIME DELAY SETTINGS ASSOCIATED WITH EACH SUB-FEATURE:

31F - NORMAL TO EMERGENCY PRE-TRANSFER SIGNAL
31G - EMERGENCY TO NORMAL PRE-TRANSFER SIGNAL
31M - NORMAL TO EMERGENCY POST-TRANSFER SIGNAL
31N - EMERGENCY TO NORMAL POST-TRANSFER SIGNAL

THE "OP1" OUTPUT CONTACTS CHANGE POSITION FOLLOWING EACH OF THE ABOVE TIME DELAYS.

ADDITIONAL LOAD DISCONNECT CONTACTS, "FEATURE 31" ARE AVAILABLE WHEN OPTIONAL ACCESSORY 18RX (RELAY EXPANSION MODULE) IS INCLUDED IN THE TRANSFER SWITCH ASSEMBLY. OUTPUT CONTACTS "OP2 AND/OR "OP3" WILL PROVIDE LOAD DISCONNECT FUNCTIONS WHEN THE FEATURE SETTING OF EACH IS SET TO OPERATE AS "FEATURE 31".

ALL OUTPUT CONTACTS ("OP1", "OP2", "OP3") SET TO OPERATE AS "FEATURE 31", SHARE THE COMMON TIME DELAY SETTINGS OF SUB-FEATURES 31F, 31G, 31M, AND 31N.

CONTACTS ARE RATED 5 AMPS RESISTIVE AT 30 VDC MAXIMUM, 100 mA AT 5 VDC MINIMUM.

REFER TO USER'S GUIDE, ASCO GROUP G CONTROLLER FOR AUTOMATIC & NON-AUTOMATIC TRANSFER SWITCHES, PART NUMBER 381333-400 FOR SETTING INFORMATION.

LOAD CURRENT METERING

WHEN OPTIONAL ACCESSORY 23GB IS PART OF THE TRANSFER SWITCH ASSEMBLY, THREE PHASE CURRENT MEASUREMENTS ARE AVAILABLE FOR DISPLAY ON THE GROUP G CONTROLLER.

REFER TO USER'S GUIDE, ASCO GROUP G CONTROLLER FOR AUTOMATIC & NON-AUTOMATIC TRANSFER SWITCHES, PART NUMBER 381333-400 FOR INFORMATION ON USE.

LOAD DISCONNECT FEATURE

FEATURE 31: INCLUDES SUB-FEATURES 31F, 31G, 31M, 31N
A SET OF FORM C CONTACTS ARE PROVIDED ON THE GROUP G CONTROLLER AS "OP1". WHEN THE FEATURE SETTING OF "OP1" IS SET TO OPERATE THE CONTACTS AS "FEATURE 31", THE TIME DELAY SETTINGS OF THE SUB-FEATURES ARE AVAILABLE.

"OP1" CAN BE SET TO OPERATE TO PROVIDE THE FOLLOWING FUNCTIONS USING THE TIME DELAY SETTINGS ASSOCIATED WITH EACH SUB-FEATURE:

31F - NORMAL TO EMERGENCY PRE-TRANSFER SIGNAL
31G - EMERGENCY TO NORMAL PRE-TRANSFER SIGNAL
31M - NORMAL TO EMERGENCY POST-TRANSFER SIGNAL
31N - EMERGENCY TO NORMAL POST-TRANSFER SIGNAL

THE "OP1" OUTPUT CONTACTS CHANGE POSITION FOLLOWING EACH OF THE ABOVE TIME DELAYS.

ADDITIONAL LOAD DISCONNECT CONTACTS, "FEATURE 31" ARE AVAILABLE WHEN OPTIONAL ACCESSORY 18RX (RELAY EXPANSION MODULE) IS INCLUDED IN THE TRANSFER SWITCH ASSEMBLY. OUTPUT CONTACTS "OP2 AND/OR "OP3" WILL PROVIDE LOAD DISCONNECT FUNCTIONS WHEN THE FEATURE SETTING OF EACH IS SET TO OPERATE AS "FEATURE 31".

ALL OUTPUT CONTACTS ("OP1", "OP2", "OP3") SET TO OPERATE AS "FEATURE 31", SHARE THE COMMON TIME DELAY SETTINGS OF SUB-FEATURES 31F, 31G, 31M, AND 31N.

CONTACTS ARE RATED 5 AMPS RESISTIVE AT 30 VDC MAXIMUM, 100 mA AT 5 VDC MINIMUM.

REFER TO USER'S GUIDE, ASCO GROUP G CONTROLLER FOR AUTOMATIC & NON-AUTOMATIC TRANSFER SWITCHES, PART NUMBER 381333-400 FOR SETTING INFORMATION.

FOUR-FUNCTION SOFTWARE BUNDLE

WHEN OPTIONAL ACCESSORY 11BE IS PART OF THE TRANSFER SWITCH ASSEMBLY, A FOUR-FUNCTION SOFTWARE BUNDLE IS AVAILABLE TO PERFORM THE FOLLOWING FUNCTIONS:

- SERIAL COMMUNICATIONS (RS-485)
- PROGRAMMABLE ENGINE EXERCISER
- EVENT LOG
- COMMON ALARM SIGNAL CAPABILITY ON GROUP G CONTROLLER "OP1" OUTPUT.

REFER TO USER'S GUIDE, ASCO GROUP G CONTROLLER FOR AUTOMATIC & NON-AUTOMATIC TRANSFER SWITCHES, PART NUMBER 381333-400 FOR INFORMATION ON THESE FUNCTIONS.

INPHASE TRANSFER FEATURE FOR LOAD TRANSFER

INPHASE TRANSFER CONTROL INITIATES AN INPHASE TRANSFER OF LOADS BETWEEN LIVE SOURCES. THIS IS USED TO PREVENT NUISANCE TRIPPING OF DISTRIBUTION CIRCUIT BREAKERS AND POSSIBLE DAMAGE TO MECHANICAL LOADS ASSOCIATED WITH OUT OF PHASE TRANSFER.

REFER TO USER'S GUIDE, ASCO GROUP G CONTROLLER FOR AUTOMATIC & NON-AUTOMATIC TRANSFER SWITCHES, PART NUMBER 381333-400 FOR SETTING INFORMATION.

SOURCE AVAILABILITY SIGNALS

SIGNALS INDICATING THE AVAILABILITY OF THE NORMAL & EMERGENCY SOURCES IS PROVIDED WHEN OPTIONAL ACCESSORY 18RX (RELAY EXPANSION MODULE) IS INCLUDED IN THE TRANSFER SWITCH ASSEMBLY. OUTPUT CONTACTS "RL5" (EMERGENCY SOURCE AVAILABLE) AND "RL6" (NORMAL SOURCE AVAILABLE) CHANGE POSITION WHEN THE SOURCE IS ACCEPTABLE.

CONTACTS ARE RATED 5 AMPS RESISTIVE AT 30 VDC MAXIMUM, 100 mA AT 5 VDC MINIMUM.

NOTES

1. SWITCH SHOWN DE-ENERGIZED CONNECTED TO NORMAL SOURCE.
2. DEVICE SYMBOLS AND DESIGNATIONS WITH NEMA PUB. ICS 1, PART 1-101A.
3. ALL WIRING IS #16 AWG, TINNED, STRANDED COPPER UNLESS OTHERWISE INDICATED.
4. O INDICATES CUSTOMER CONNECTION POINTS.
5. ● INDICATES FACTORY CONNECTION POINTS.
6. CONNECTION POINTS THAT HAVE BOTH CUSTOMER CONNECTIONS AND FACTORY CONNECTIONS ARE SHOWN OPEN AS CUSTOMER CONNECTION POINTS.
7. THE TRANSFER UNIT IS MOUNTED ON THE BACK INSIDE SURFACE OF THE ENCLOSURE. THE CONTROL PANEL AND ANY OPTIONAL ACCESSORIES ARE MOUNTED ON THE INSIDE SURFACE OF THE DOOR.
8. AN OPERATOR'S MANUAL IS FURNISHED WITH EACH AUTOMATIC TRANSFER SWITCH. REFER TO THIS PUBLICATION PRIOR TO INSTALLATION AND OPERATION OF THE SWITCH.
9. GROUND STRAP ON CONTROL PANEL IS AFFIXED TO CHASSIS (ENCLOSURE) AT LOWER LEFT CONTROL PANEL MOUNTING STUD.

EXPLANATION OF CATALOG NUMBER CODES

| CATALOG NUMBER SUFFIXES | | | | EXPLANATION OF CATALOG NUMBER CODES | | | |
|-------------------------|--------------|--------------|-------------|-------------------------------------|-----------|------------|----------------|
| TS FRAME | CATALOG TYPE | NEUTRAL TYPE | PHASE POLES | AMPS | VOLT CODE | CONTROLLER | ENCLOSURE CODE |
| G | 3ATS | A | 3 | 1000 | C | G | C |
| | 3NTS | B | | 1200 | D | | F |
| | | | | 1600 | E | | G |
| | | | | 2000 | F | X | H |
| | | | | 2600 | G | | L |
| | | | | 3000 | H | | M |
| | | | | | J | | N |
| | | | | | K | | P |
| | | | | | L | | Q |
| | | | | | M | | R |
| | | | | | N | | |
| | | | | | P | | |
| | | | | | Q | | |
| | | | | | R | | |

ENCLOSURE CODES: A, B, C, D, E, F, G, H, J, K, L, M, N, P, Q, R

DESCRIPTION: SOLID SWITCHING

VOLTAGE CODES: 3 PHASE (3 OR 4 WIRE) 50 OR 60 Hz

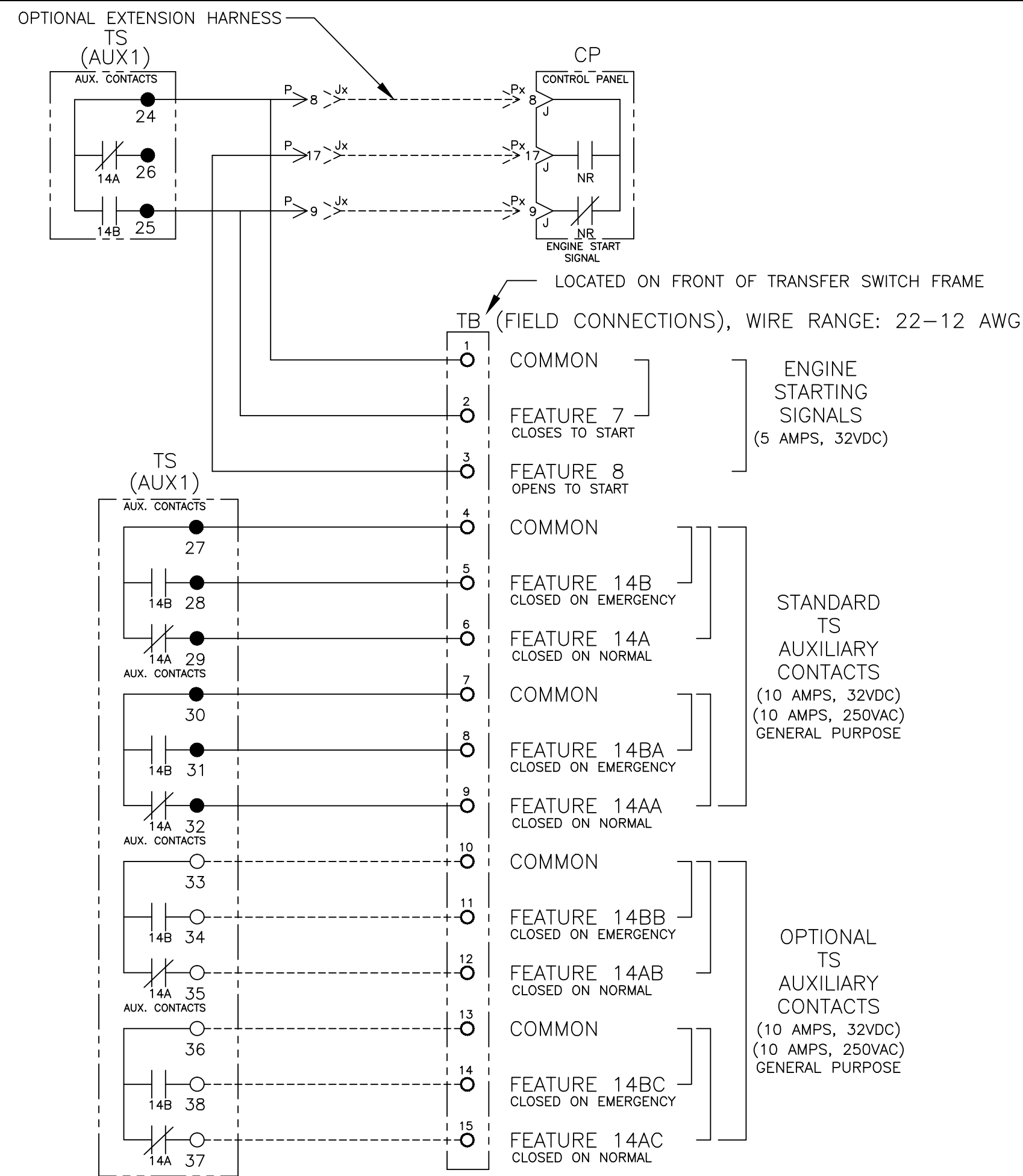
NOMINAL VOLTAGE: 208, 220, 230, 240, 277, 380, 400, 415, 440, 460, 480, 550, 575, 600

ENCLOSURE CODES: BLANK C, 1, 3R, 4, 4X, 12

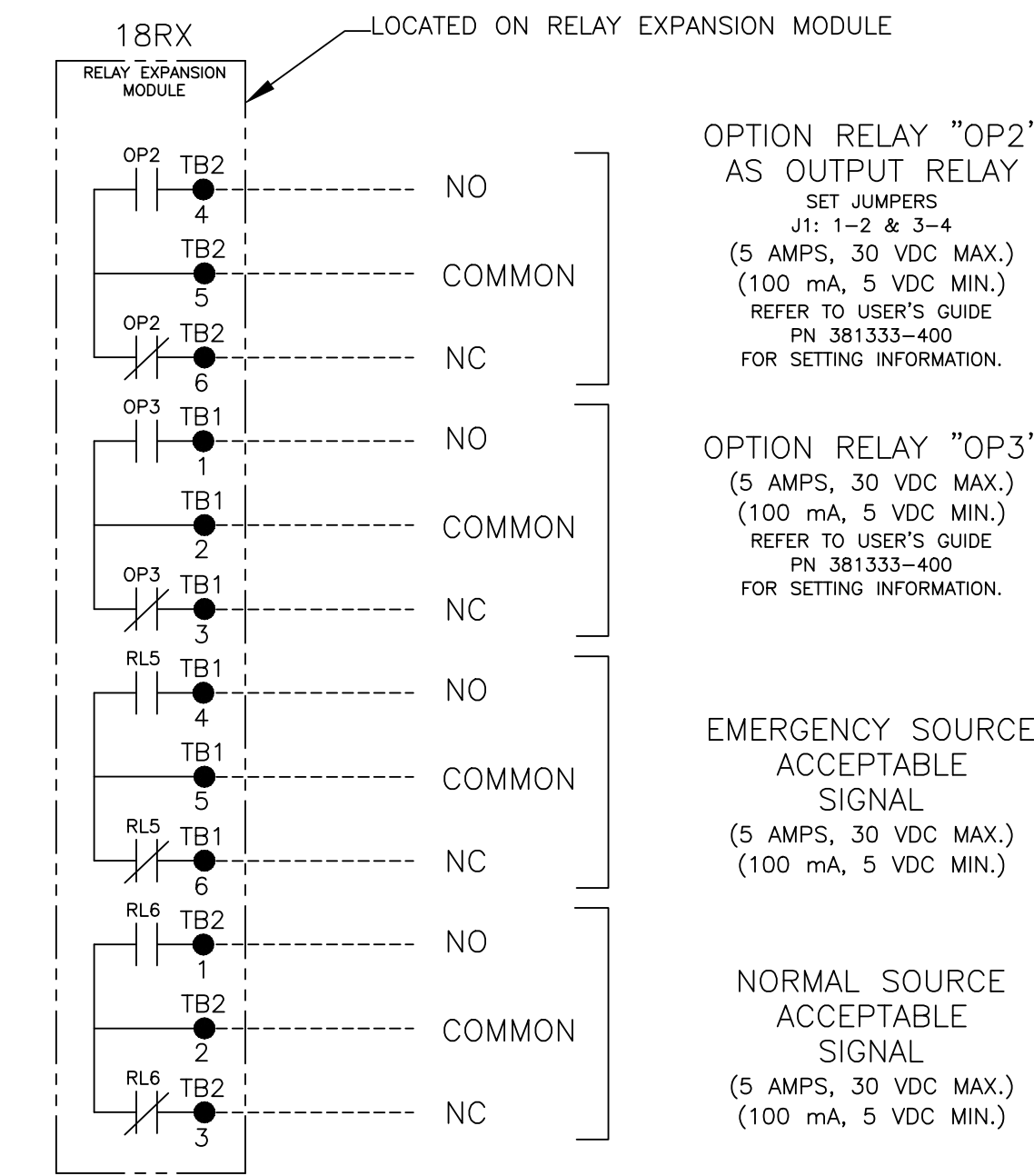
DESCRIPTION: OPEN TYPE (NO ENCLOSURE) GENERAL PURPOSE, INDOOR; OUTDOOR, RAINPROOF, SLEET & ICE RESISTANT; INDOOR/OUTDOOR, WATERTIGHT & DUSTTIGHT; TYPE 4 PLUS CORROSION RESISTANCE (STAINLESS STEEL); INDOOR, INDUSTRIAL ENVIRONMENTS, OILTIGHT & DUSTTIGHT; (SECURE ENCLOSURES); OUTDOOR, RAINPROOF, SLEET & ICE RESISTANT; INDOOR/OUTDOOR, WATERTIGHT & DUSTTIGHT; TYPE 4 PLUS CORROSION RESISTANCE (STAINLESS STEEL); INDOOR, INDUSTRIAL ENVIRONMENTS, OILTIGHT & DUSTTIGHT

| | | | |
|---|----------|-------------------|----------------|
| CATALOG NUMBER | | BY | |
| ASCO® S.O. | | DATE | |
| FORM REV - | 245072 | BK | BK |
| ISSUE | 10/28/13 | | |
| PROJECT NAME: | WIRING | DIAGRAM | |
| 300 SERIES (G3A/NTS) 3PH 1000-3000 AMPS | | | |
| "G" FRAME, GROUP G CONTROLS | | | |
| DRAWN BY | DATE | ASSEMBLY REF. NO. | SCALE |
| CHKD BY | DATE | ASSEMBLY REF. NO. | SIZE |
| PROJECT APPROVAL | DATE | ASSEMBLY REF. NO. | DS |
| FINAL APPROVAL | DATE | ASSEMBLY REF. NO. | DWG. NO. |
| | | | 1001662 |
| | | | DRAWING REV. - |
| | | | ECN NO. 245072 |
| | | | SHEET 1 OF 7 |

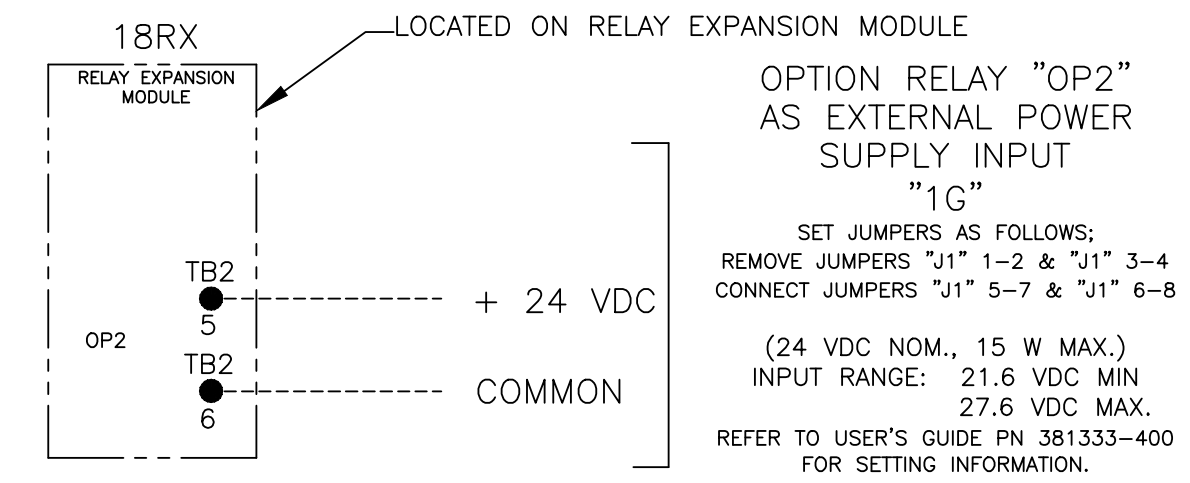
FIELD CONNECTIONS



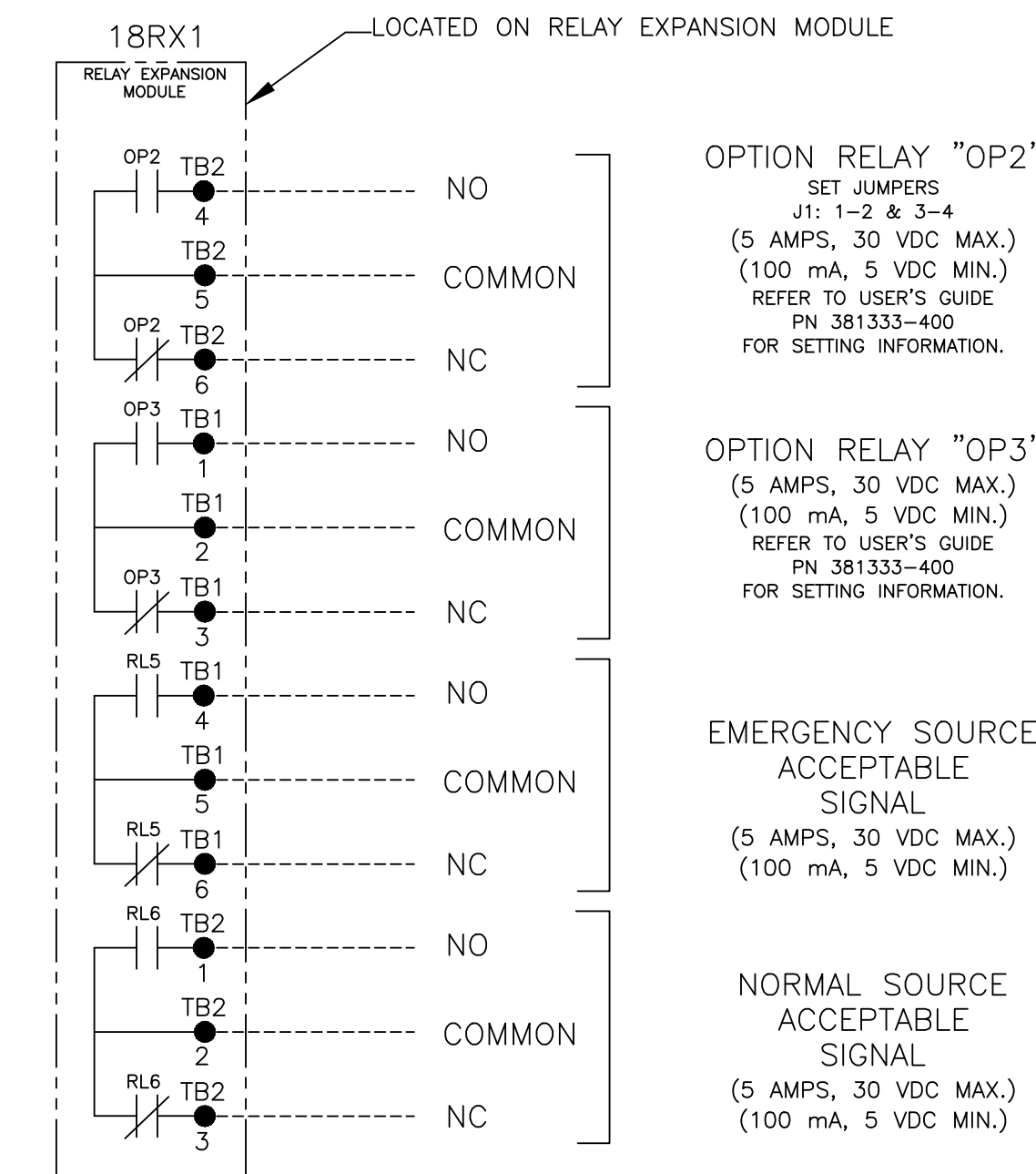
OPTIONAL ACCESSORY 18RX (RELAY EXPANSION MODULE)



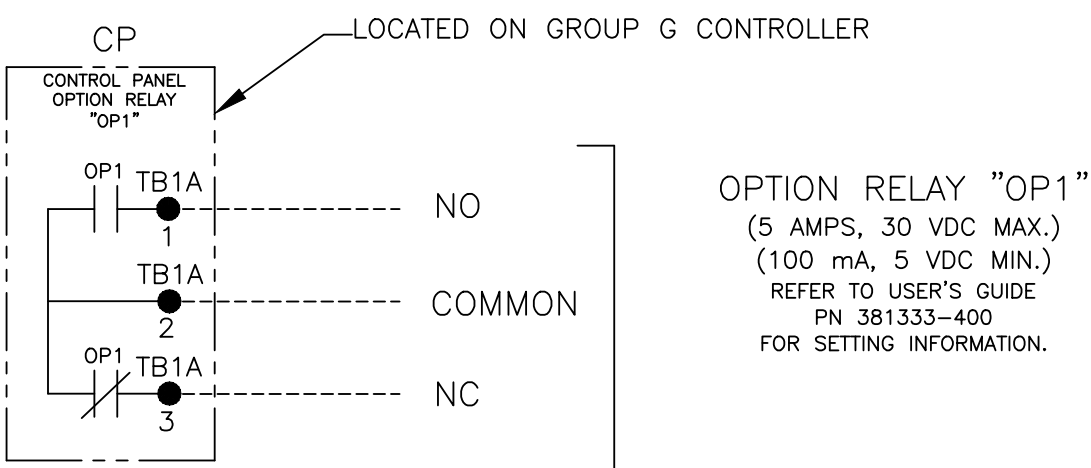
"OP2" OPTIONAL USES



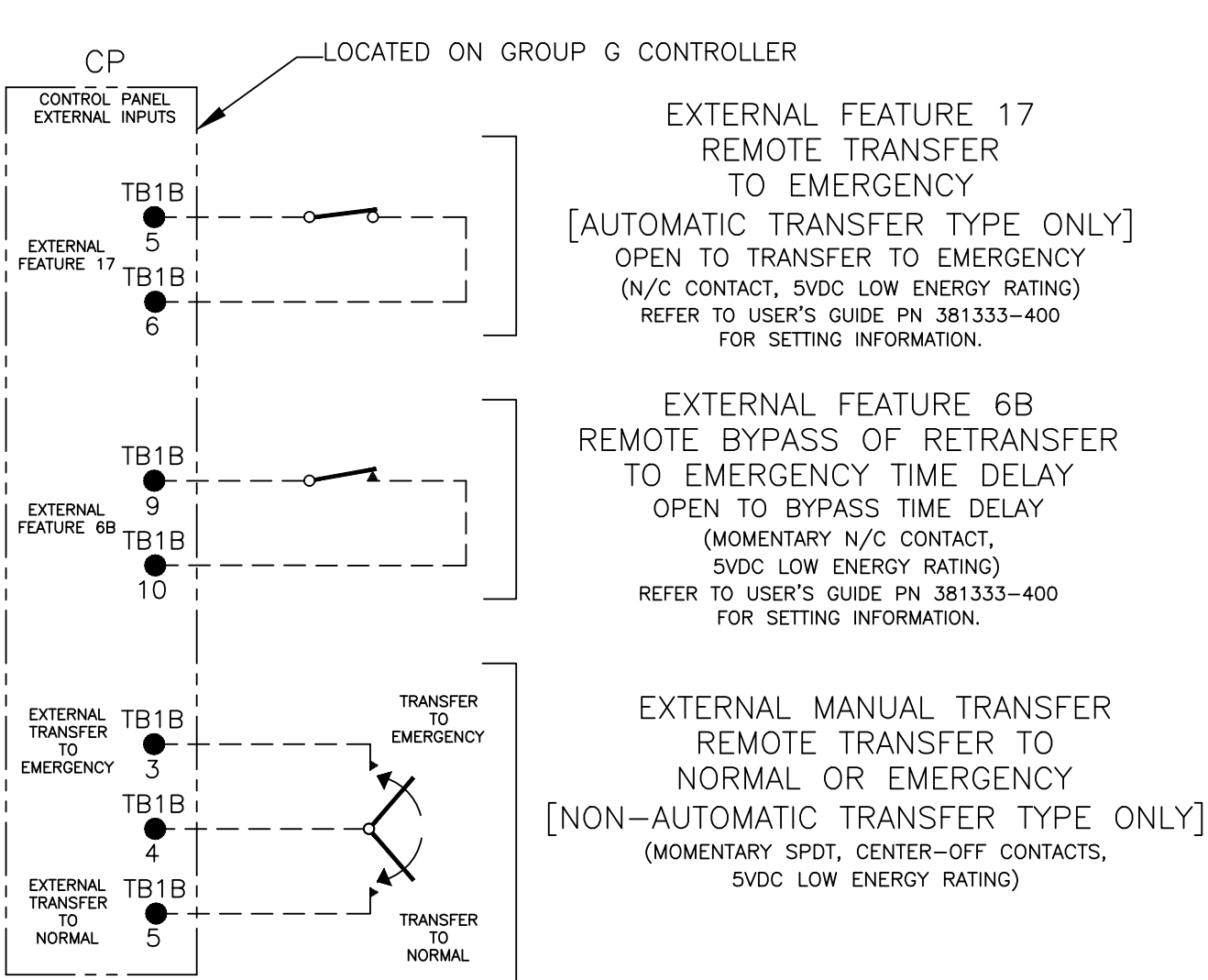
OPTIONAL ACCESSORY 18RX1 (SECOND RELAY EXPANSION MODULE)



CONTROLLER OPTION RELAY "OP1" (STANDARD)



CONTROLLER REMOTE CONTROL FEATURES



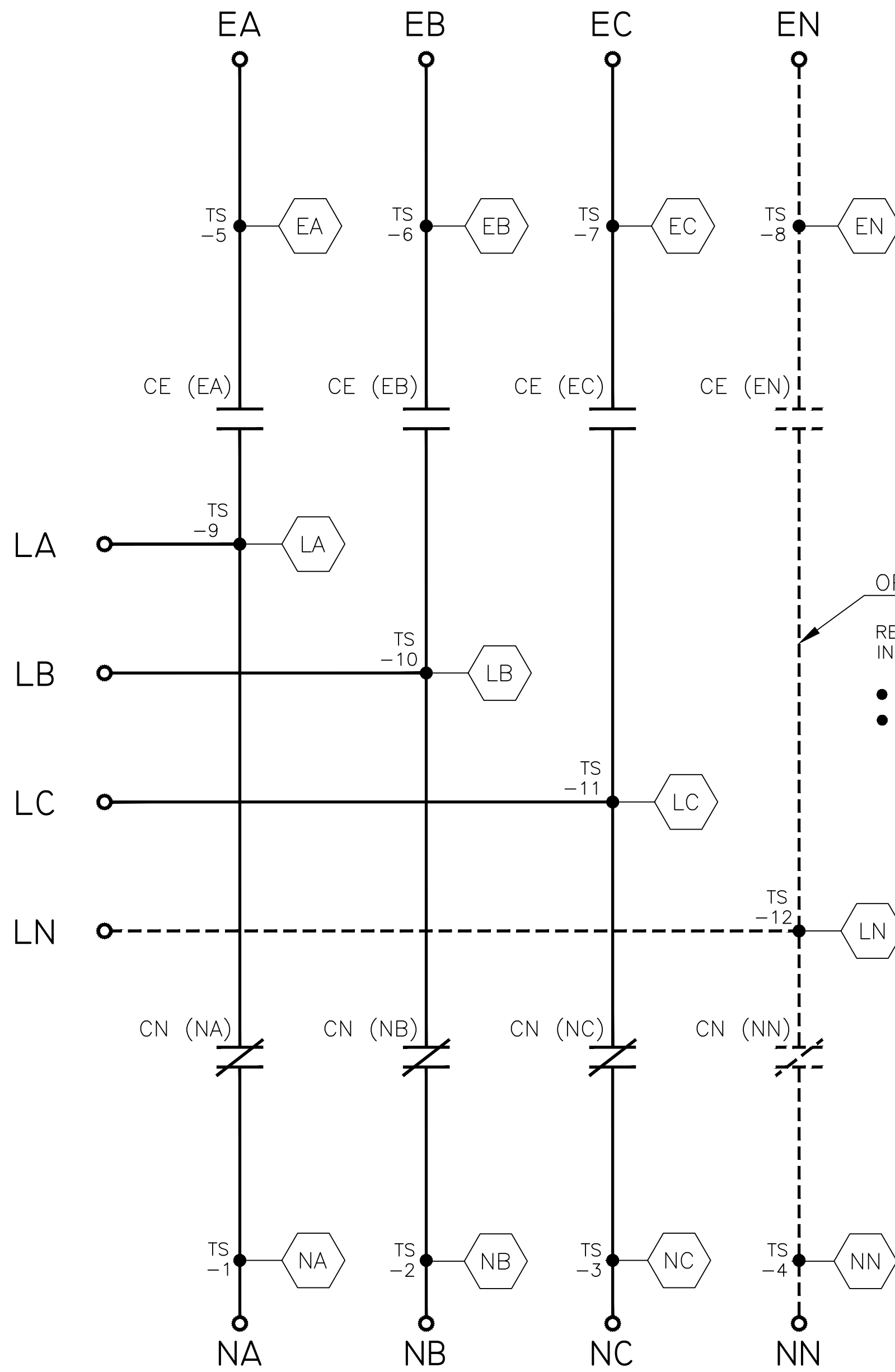
| | | | |
|---|------|---|--|
| PROJECT NAME: | | 245072 BK BK 10/28/13 | |
| WIRING DIAGRAM | | ISSUE | |
| 300 SERIES (G3A/NTS) 3PH 1000-3000 AMPS | | BY APP. DATE | |
| "G" FRAME, GROUP G CONTROLS | | THIRD ANGLE PROJECTION | |
| DRAWN BY | DATE | MANUFACTURING TOLERANCES TO BE IN ACCORDANCE WITH ASCO PROCEDURE MP-1-003. FOR PLASTIC PARTS SEE MP-1-055. | ASSEM. REF. NO. |
| CHECKED | DATE | PROPERTY OF ASCO POWER TECHNOLOGIES. USE PERMITTED FOR OUR WORK ONLY. ALL RIGHTS OF DESIGN OR INVENTION ARE RESERVED. | SCALE NONE SIZE DS |
| PROJECT APPROVAL | DATE | | DWG. NO. 1001662 |
| FINAL APPROVAL | DATE | | DRAWING REV. ECN NO. 245072 SHEET 2 OF 7 |
| ASCO | | ASCO POWER TECHNOLOGIES, L.P. FLORHAM PARK, NEW JERSEY 07932 U.S.A. | |

MAIN POWER POLES

TS OPERATOR CIRCUIT

EMERGENCY

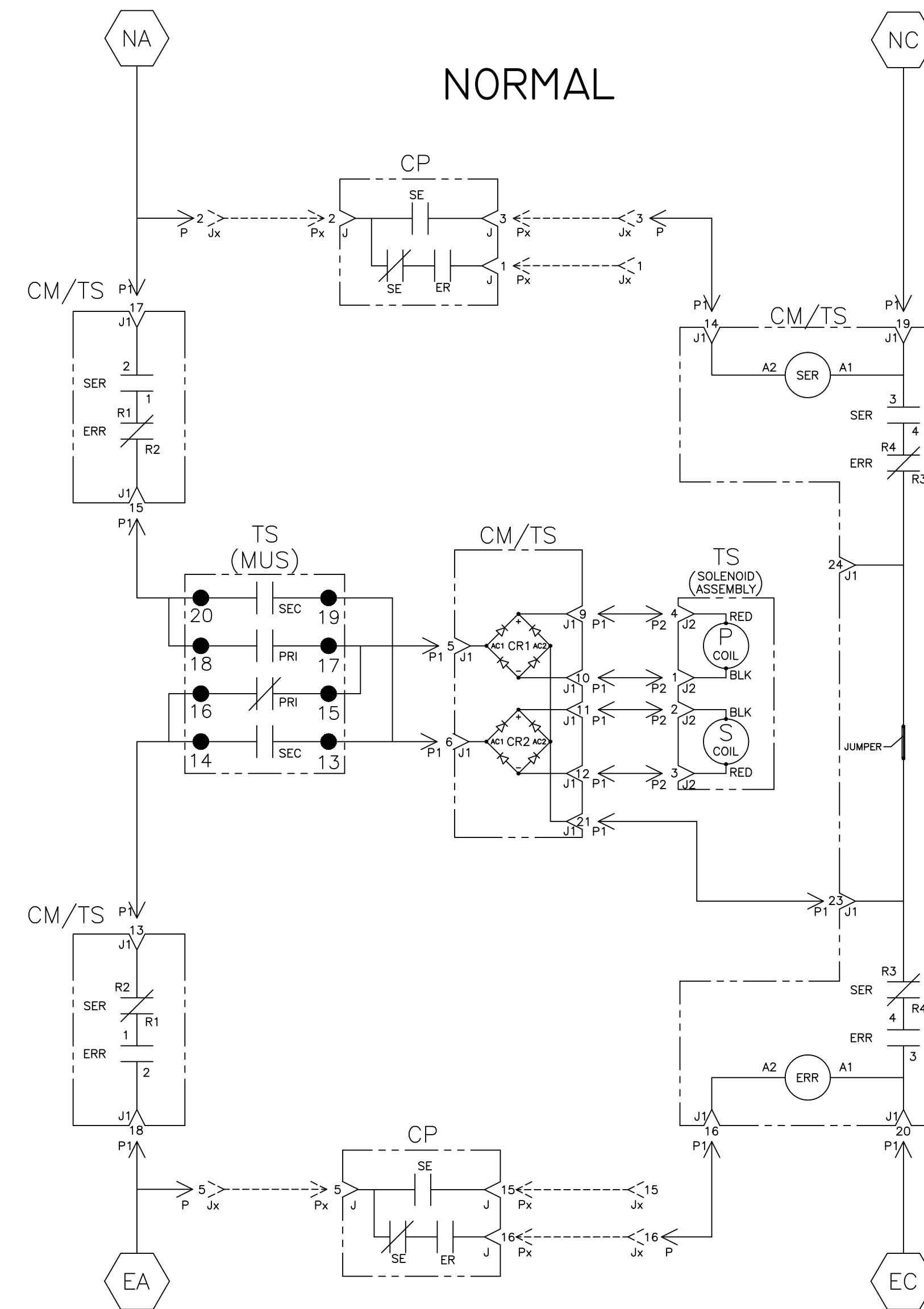
NORMAL



OPTIONAL NEUTRAL TYPES
 REFER TO "EXPLANATION OF CATALOG NUMBER CODES"
 IN CATALOG NUMBER CHART ON SHEET 1.

- SOLID BUS PLATE
- SWITCHING

NOTE:
 ATS/NTS SHOWN CLOSED ON NORMAL SOURCE.



EMERGENCY

| TS (MUS) CONTACTS | | SOLENOID POSITION | | | | |
|-------------------|--|-------------------|---|-----------|---|------|
| MUS | | NORM | > | AFTER FDC | < | EMER |
| 13-14 | | | | | | |
| 15-16 | | | | | | |
| 17-18 | | | | | | |
| 19-20 | | | | | | |

* AFTER SOLENOID PASSES THROUGH TOP DEAD CENTER POSITION.

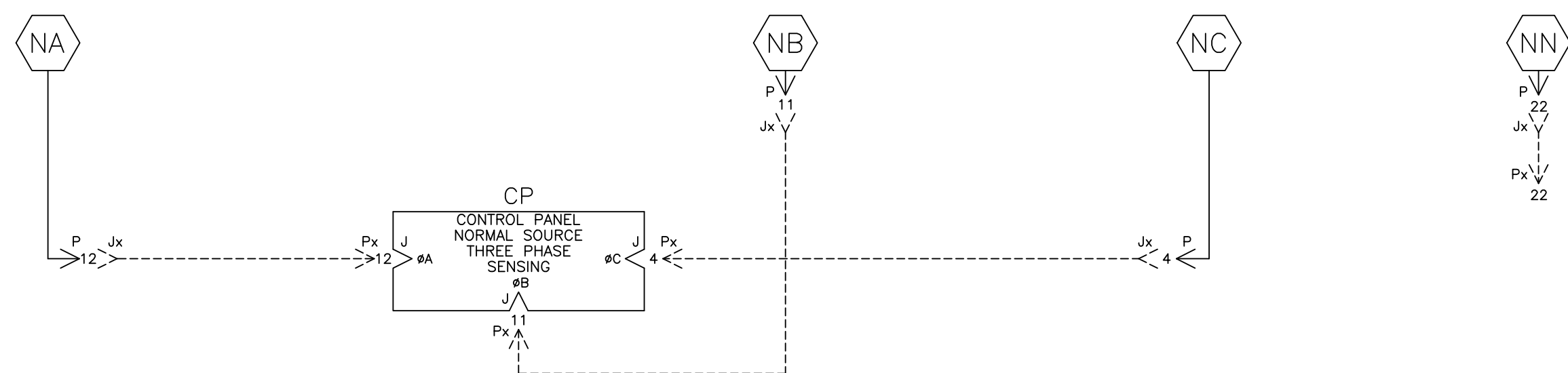
| | | | | | |
|---|----------------|---|---------|------|----------|
| PROJECT NAME: | | 245072 | BK | BK | 10/28/13 |
| WIRING DIAGRAM | | ISSUE | ECN NO. | BY | APP. |
| 300 SERIES (G3A/NTS) 3PH 1000-3000 AMPS | | COMPUTER GENERATED DRAWING | | | |
| "G" FRAME, GROUP G CONTROLS | | SCALE | NONE | SIZE | DS |
| BY: DJB | DATE: 10/28/13 | ASCO POWER TECHNOLOGIES, L.P. | | | |
| CHECKED: BK | DATE: 10/28/13 | PROPERTY OF ASCO POWER TECHNOLOGIES. USE PERMITTED FOR OUR WORK ONLY. ALL RIGHTS OF DESIGN OR INVENTION ARE RESERVED. | | | |
| PROJECT APPROVAL: BK | DATE: 10/28/13 | DWG. NO. 1001662 | | | |
| FINAL APPROVAL: | | DRAWING NO. 245072 SHEET 3 OF 7 | | | |



ASCO POWER TECHNOLOGIES, L.P.
 FLOHAM PARK, NEW JERSEY 07932 U.S.A.

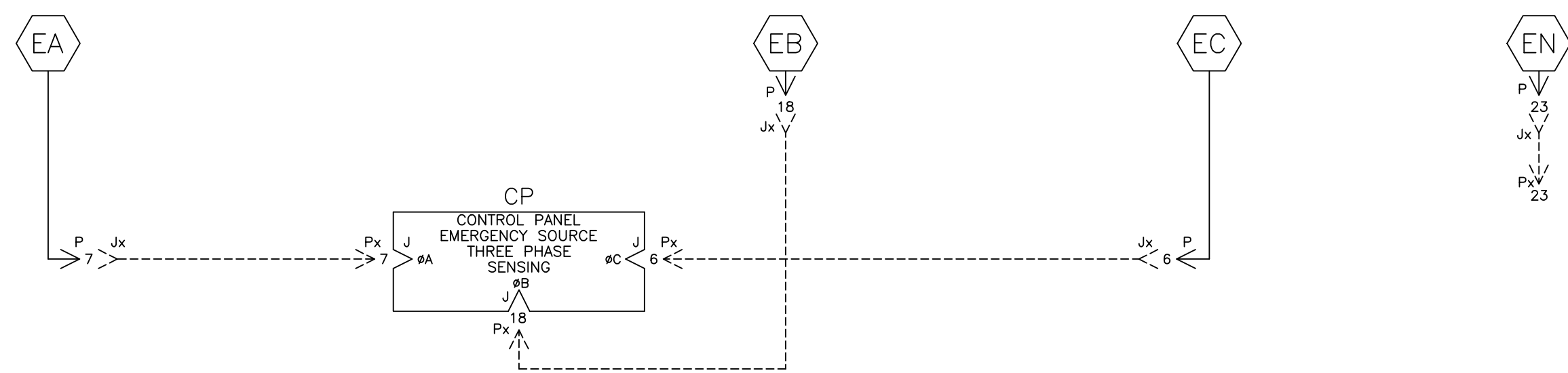
EMERGENCY SOURCE CIRCUITS

NORMAL



EMERGENCY SOURCE CIRCUITS

EMERGENCY

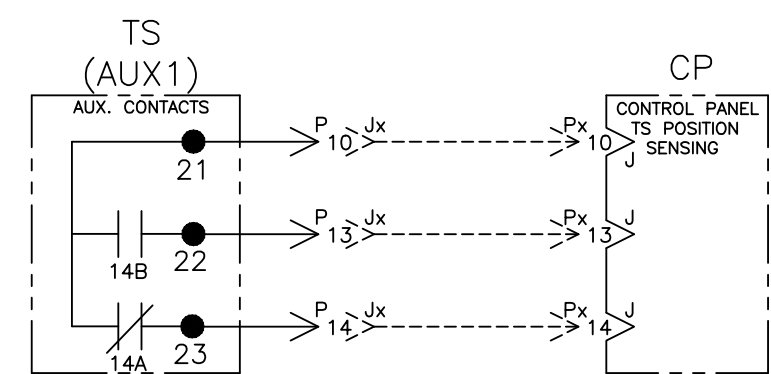


LOAD TERMINAL CIRCUITS

LOAD



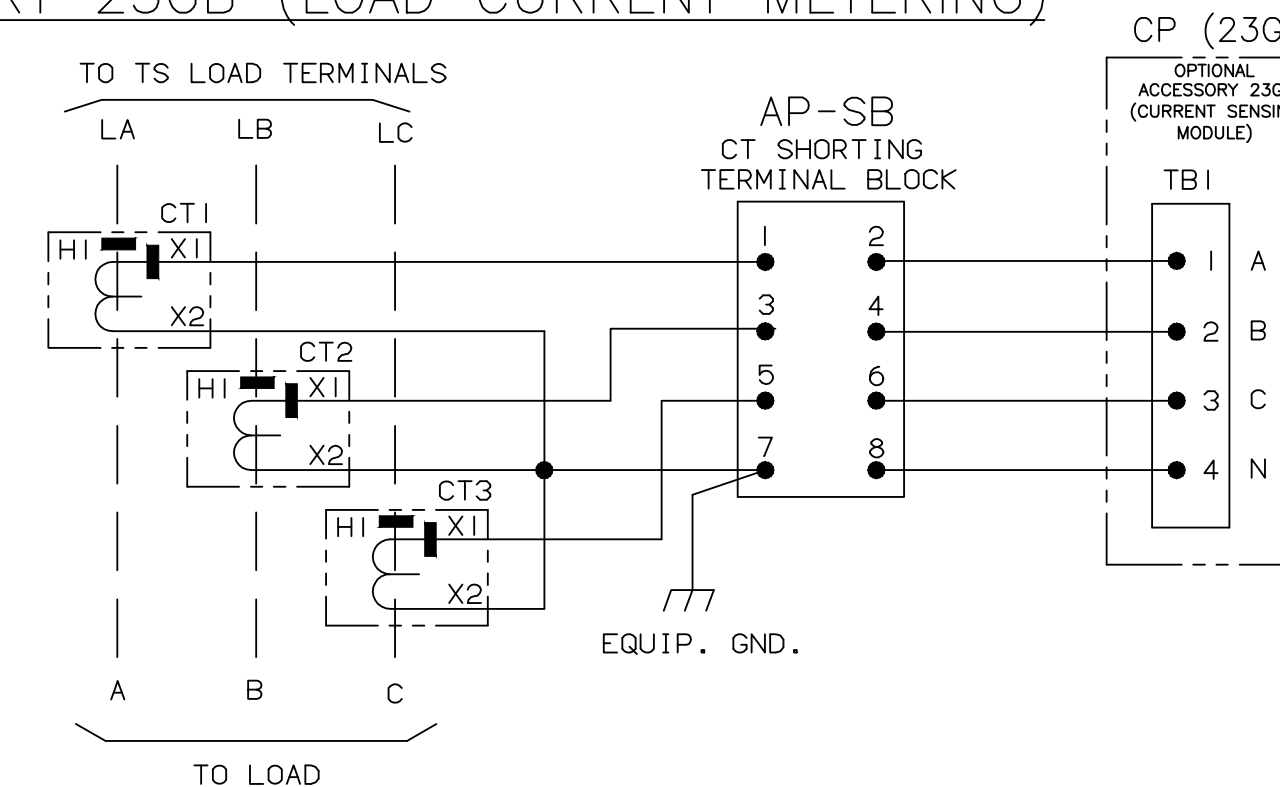
CONTROL SIGNALS & INDICATION



ADDITIONAL CIRCUITS

OPTIONAL ACCESSORY 23GB (LOAD CURRENT METERING)

| SWITCH RATING | CT RATIO |
|---------------|----------|
| 1000A | 1200:5A |
| 1200A | 1200:5A |
| 1600A | 2000:5A |
| 2000A | 2000:5A |
| 2600A | 3000:5A |
| 3000A | 3000:5A |



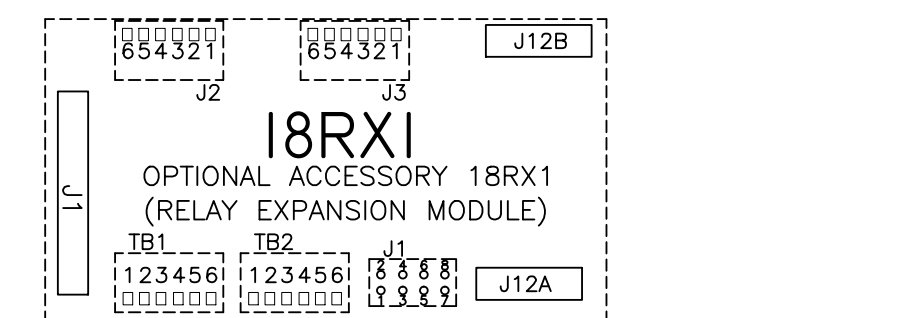
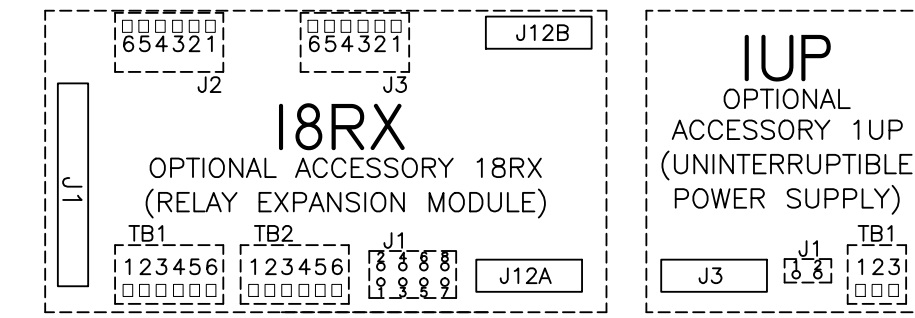
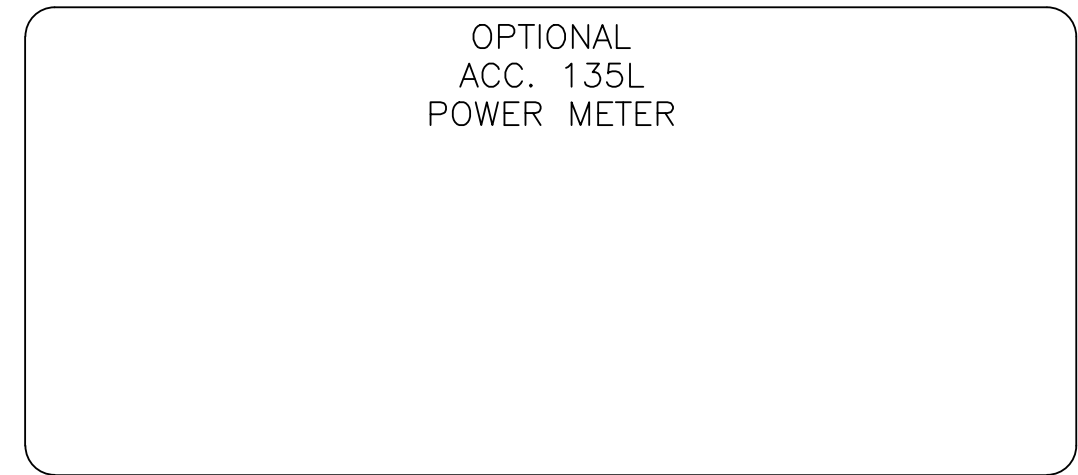
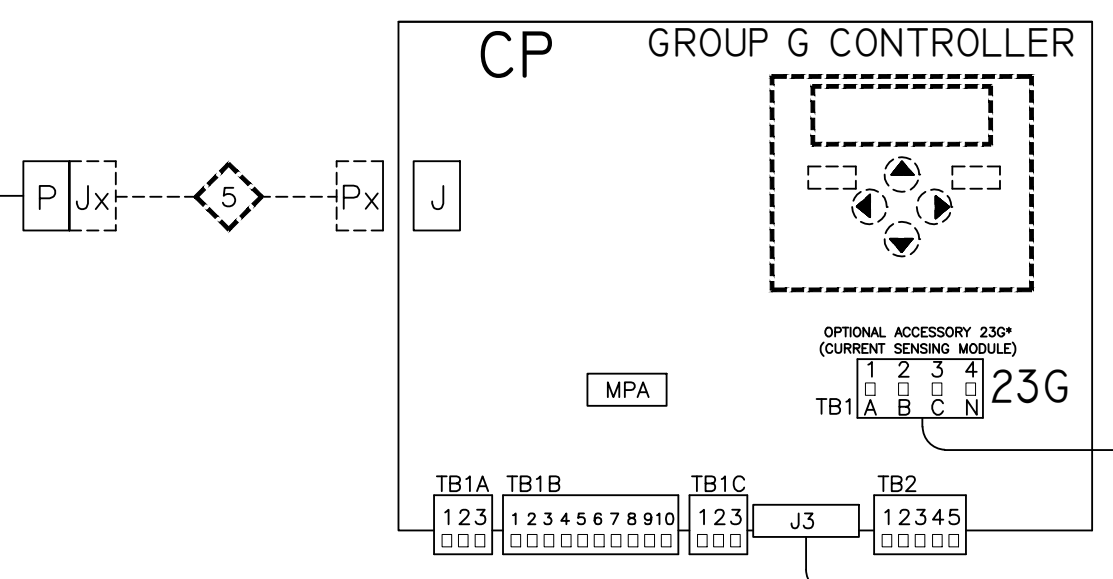
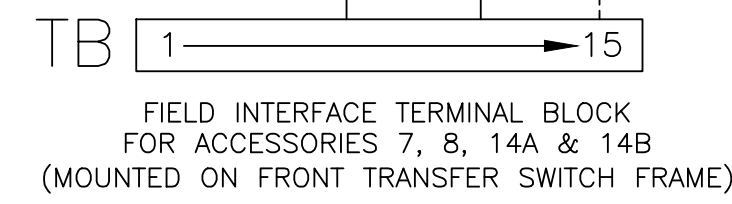
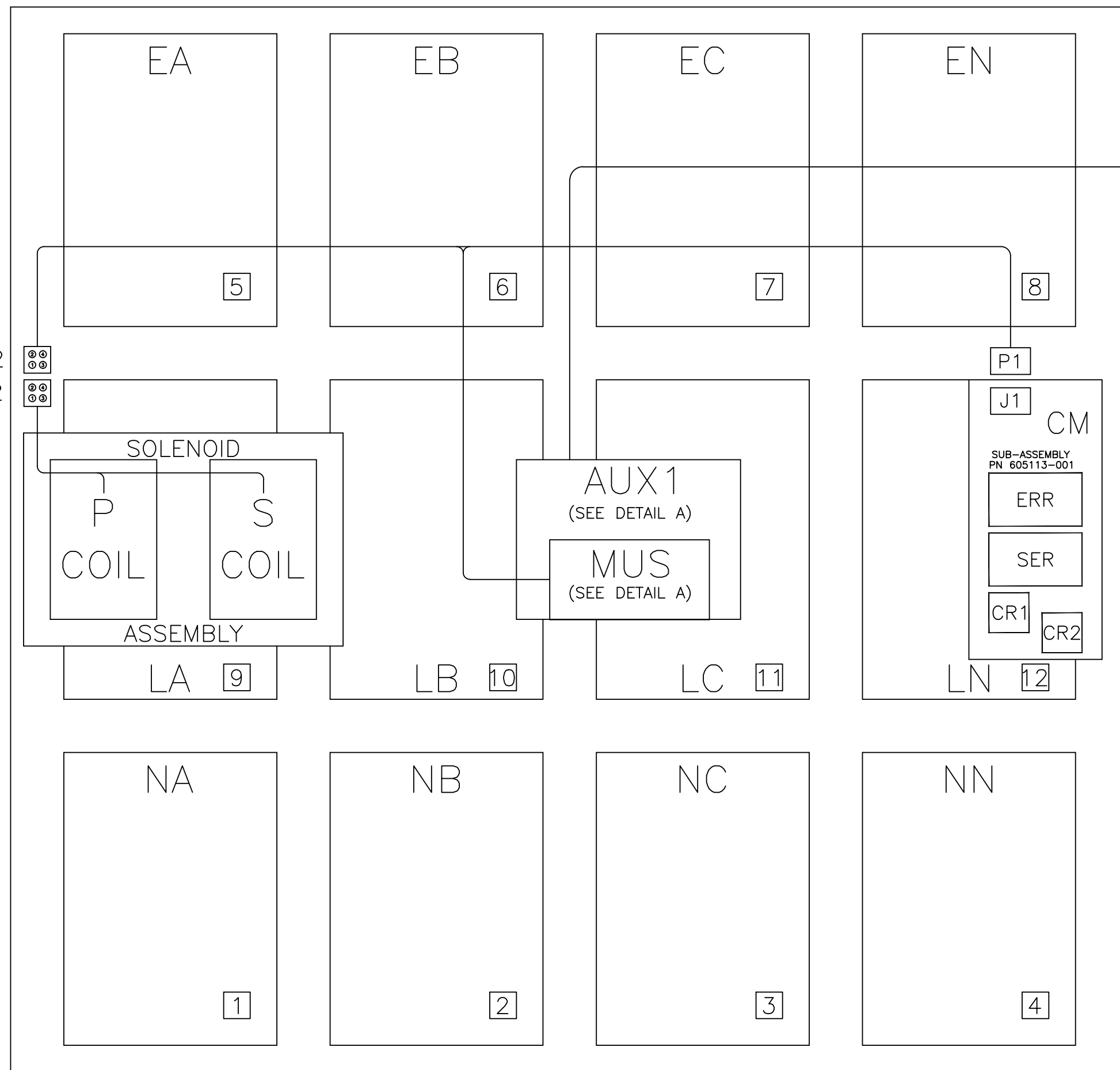
| | | | | | |
|---|------|--|---|-----------------|---------------------------------|
| PROJECT NAME: | | 245072 | BK | BK | 10/28/13 |
| WIRING | | ISSUE | | | |
| 300 SERIES (G3A/NTS) 3PH 1000-3000 AMPS | | BY | | | |
| "G" FRAME, GROUP G CONTROLS | | DATE | | | |
| BY | DATE | MANUFACTURING TOLERANCES TO BE IN ACCORDANCE WITH ASCO PROCEDURE MP-1-003. FOR PLASTIC PARTS SEE MP-1-055. | | ASSEM. REF. NO. | |
| CHECKED | BK | 10/28/13 | PROPERTY OF ASCO POWER TECHNOLOGIES. USE PERMITTED FOR OUR WORK ONLY. ALL RIGHTS OF DESIGN OR INVENTION ARE RESERVED. | | SCALE NONE SIZE DS |
| PROJECT APPROVAL | BK | 10/28/13 | COMPUTER GENERATED DRAWING | | DWG. NO. 1001662 |
| FINAL APPROVAL | | | ASCO® ASCO POWER TECHNOLOGIES, L.P. FLORHAM PARK, NEW JERSEY 07932 U.S.A. | | DRAWING NO. 245072 SHEET 4 OF 7 |

PHYSICAL DIAGRAM

ENCLOSURE

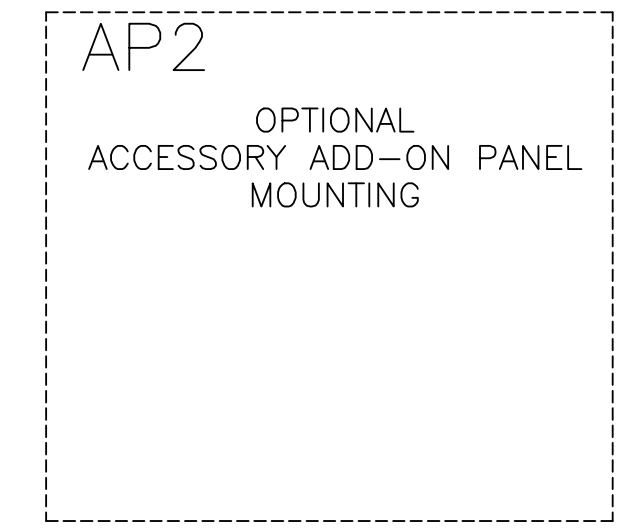
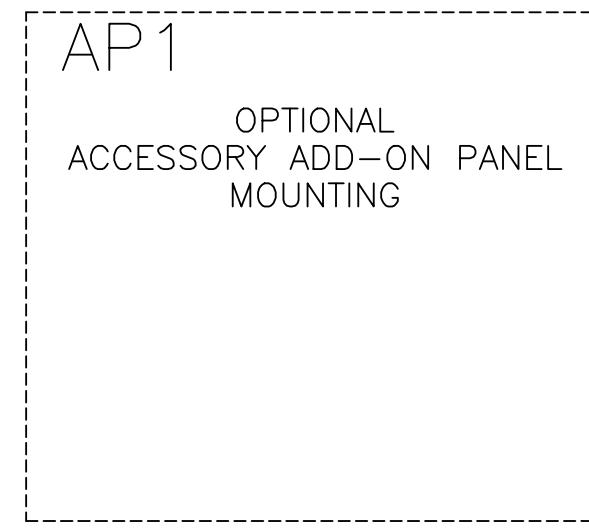
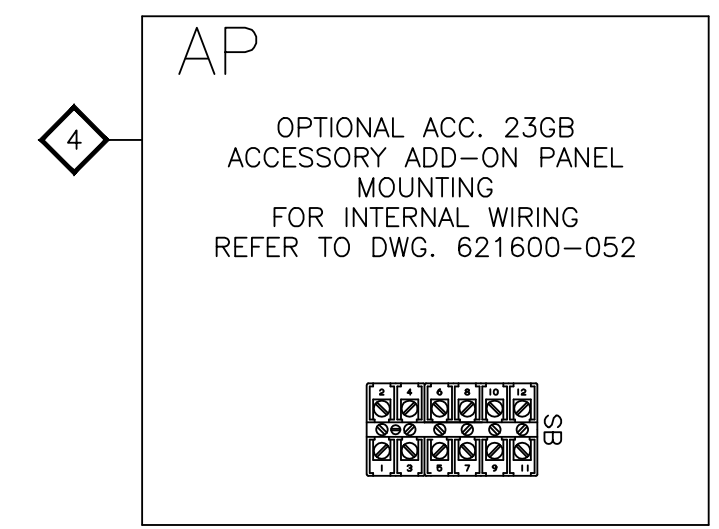
DOOR, INSIDE

TS (TRANSFER SWITCH)

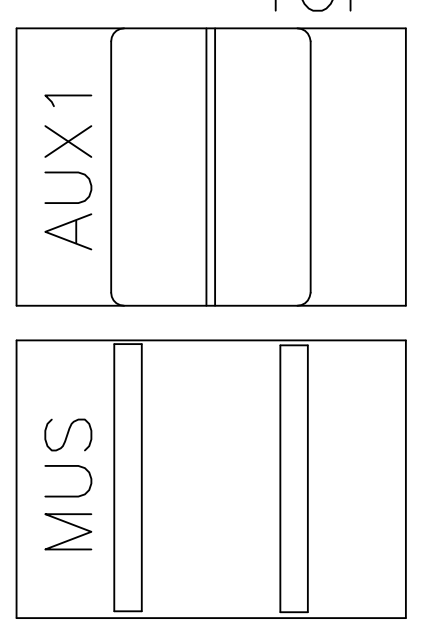


OPTIONAL ACCESSORY 23GB TO AP-SB

TO FIRST OPTIONAL ACCESSORY 18RX (J12A OR J12B) OR 1UP (J3) [1UP MUST BE LAST ACCESSORY IN CHAIN] USE CABLE PN 607761 FOR EACH CONNECTION



DETAIL A
MUS & AUX1
TOP VIEW

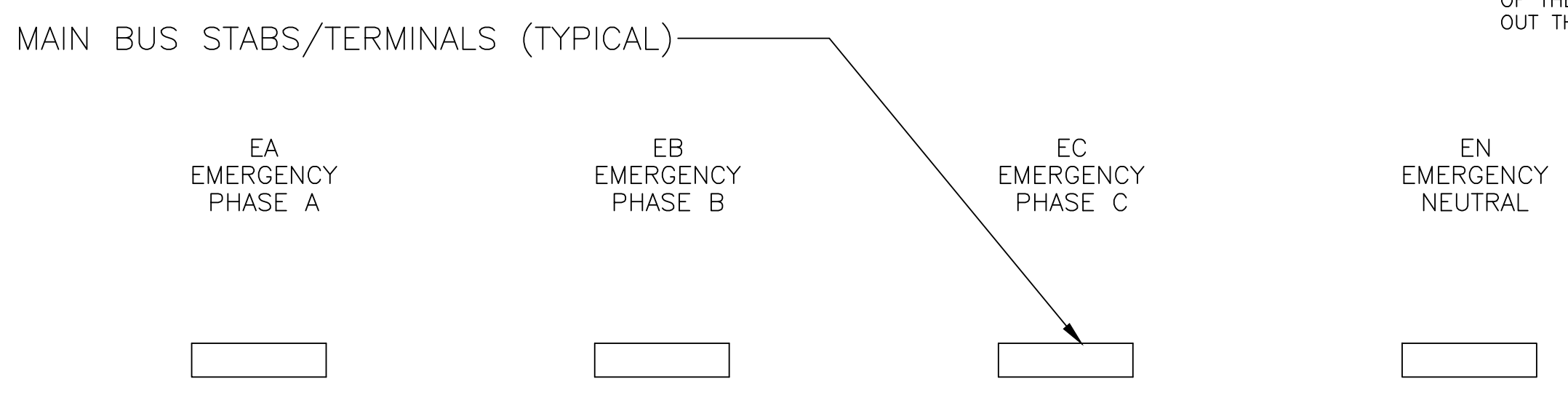
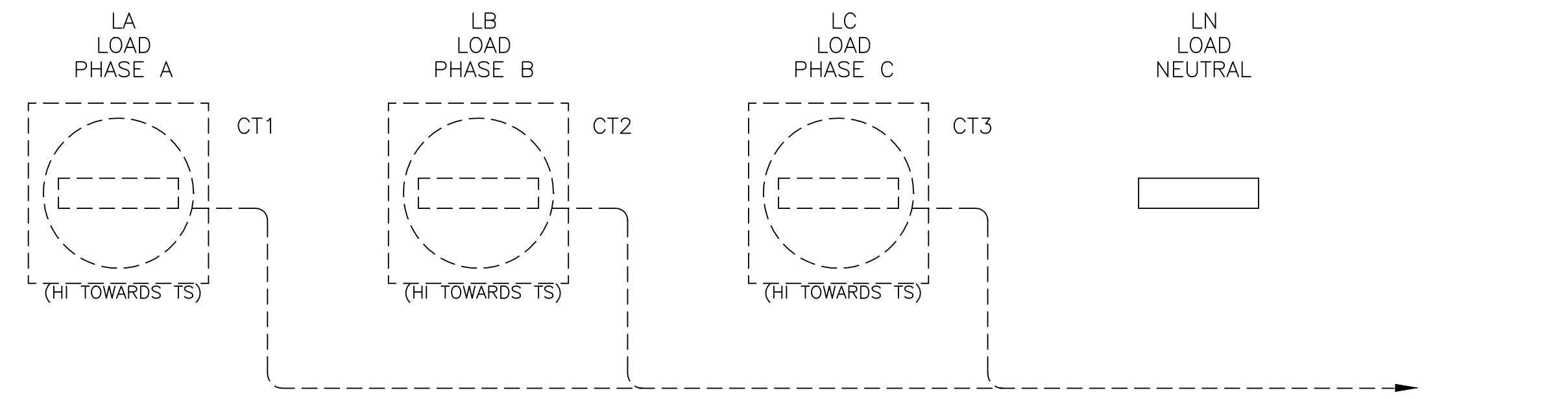


| | | | | | |
|---|-----|----------------------------------|---------------|---|--------------|
| PROJECT NAME: | | 245072 | BK | BK | 10/28/13 |
| WIRING DIAGRAM | | ISSUE | REV. TO SHEET | ECN NO. | BY APP. DATE |
| 300 SERIES (G3A/NTS) 3PH 1000-3000 AMPS | | COMPUTER GENERATED DRAWING | | | |
| "G" FRAME, GROUP G CONTROLS | | SCALE NONE SIZE DS | | | |
| DRAWN BY | DJB | DATE | 10/28/13 | ASSEM. REF. NO. | |
| CHECKED | BK | DATE | 10/28/13 | PROPERTY OF ASCO POWER TECHNOLOGIES. USE PERMITTED FOR OUR WORK ONLY. ALL RIGHTS OF DESIGN OR INVENTION ARE RESERVED. | |
| PROJECT APPROVAL | BK | DATE | 10/28/13 | ASCO POWER TECHNOLOGIES, L.P. | |
| FINAL APPROVAL | | DATE | | FLORHAM PARK, NEW JERSEY 07932 U.S.A. | |
| DWG. NO. 1001662 | | DRAWING REV. 245072 SHEET 5 OF 7 | | | |

8 7 6 5 4 3 2 1

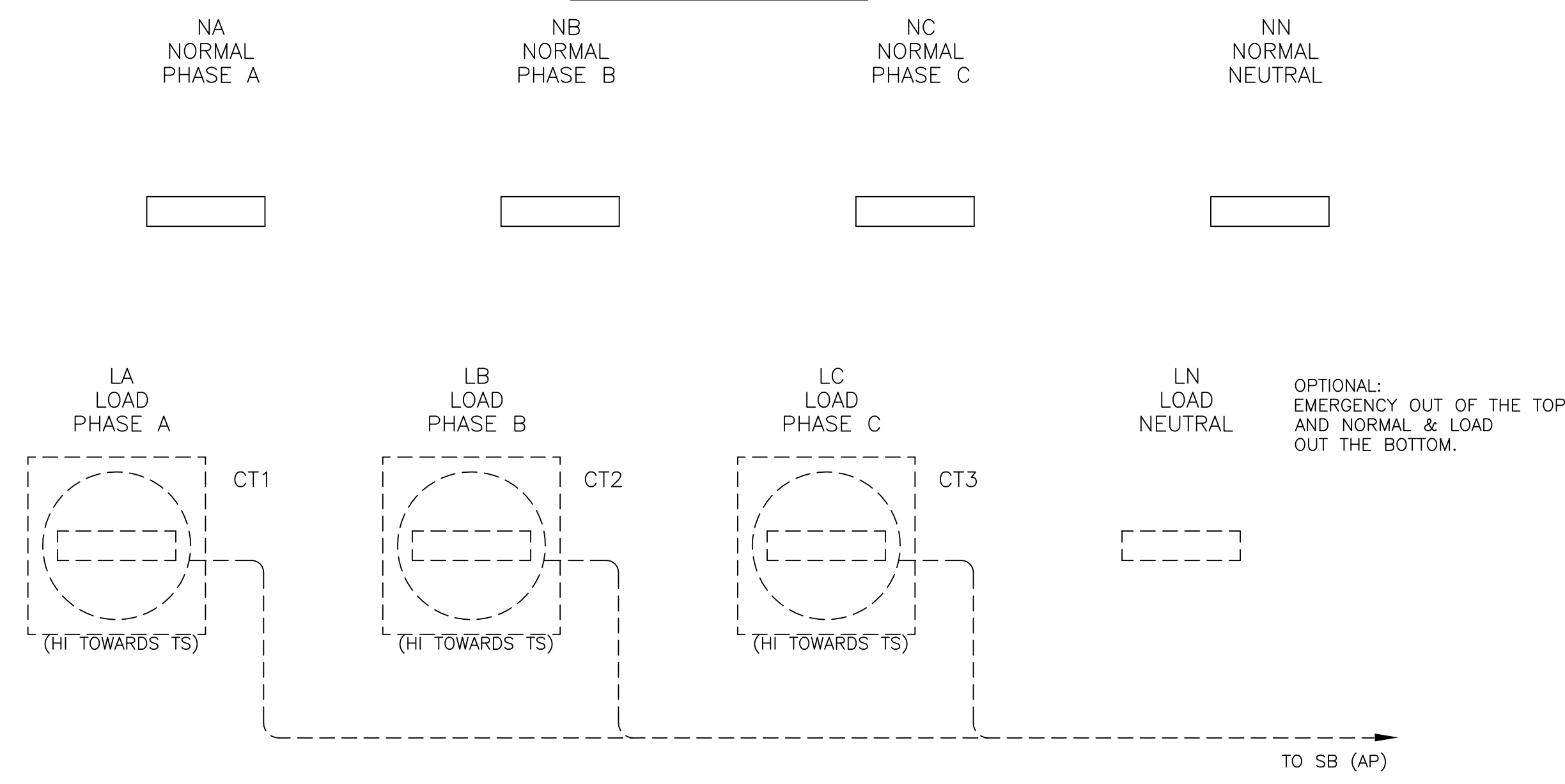
PHYSICAL DIAGRAM (CONTINUED)

FRONT CONNECTED SWITCH
1000 - 2000 AMP. TS TOP VIEW



OPTIONAL ACCESSORY 23GB (LOAD CURRENT METERING)

BOTTOM VIEW



| | | | | | |
|---|-------|----------------------------|----------|---|----------|
| PROJECT NAME: | | 245072 | BK | BK | 10/28/13 |
| REV. TO SHEET | ISSUE | ECN NO. | BY | APP. | DATE |
| WIRING DIAGRAM | | COMPUTER GENERATED DRAWING | | | |
| 300 SERIES (G3A/NTS) 3PH 1000-3000 AMPS | | THIRD ANGLE PROJECTION | | | |
| "G" FRAME, GROUP G CONTROLS | | SCALE NONE SIZE DS | | | |
| DRAWN BY | DJB | DATE | 10/28/13 | PROPERTY OF ASCO POWER TECHNOLOGIES. USE PERMITTED FOR OUR WORK ONLY. ALL RIGHTS OF DESIGN OR INVENTION ARE RESERVED. | |
| CHECKED | BK | DATE | 10/28/13 | ASCO POWER TECHNOLOGIES, L.P. FLORHAM PARK, NEW JERSEY 07932 U.S.A. | |
| PROJECT APPROVAL | BK | DATE | 10/28/13 | DWG. NO. 1001662 | |
| FINAL APPROVAL | | DATE | | DRAWING REV. NO. 245072 SHEET 6 OF 7 | |

8 7 6 5 4 3 2 1

WIRE RUN LISTING

| 1 ← HARNESS LOCATOR | | BOX CHECKED IF HARNESS IS MODIFIED <input checked="" type="checkbox"/> | |
|---------------------|-------------------------------------|--|-----|
| WIRE No. | HARNESS 605454 (P,P1,P2,J3) MAIN TS | CLR | AWG |
| 1 | P-2,TS-1 | | 16 |
| 2 | P-3,P1-14 | | |
| 3 | P-4,TS-3 | | |
| 4 | P-5,TS-5 | | |
| 5 | P-6,TS-7 | | |
| 4 | P-7,TS-5 | | |
| 6 | P-8,TS(AUX1)-24 | | |
| 6 | TS(AUX1)-24,J3-1 | | |
| 7 | P-9,TS(AUX1)-25 | | |
| 7 | TS(AUX1)-25,J3-2 | | |
| 8 | P-10,TS(AUX1)-21 | | |
| 9 | P-11,TS-2 | | |
| 10 | P-12,TS-1 | | |
| 11 | P-13,TS(AUX1)-22 | | |
| 12 | P-14,TS(AUX1)-23 | | |
| 13 | P-16,P1-16 | | |
| 14 | P-17,J3-3 | | |
| 15 | P-18,TS-6 | | |
| 16 | P-19,TS-9 | | |
| 17 | P-20,TS-10 | | |
| 18 | P-21,TS-11 | | |
| 19 | P-22,TS-4 | | |
| 20 | P-23,TS-8 | | |
| 21 | P-24,TS-12 | | |
| 22 | P1-5,TS(MUS)-17 | | |
| 22 | TS(MUS)-17,TS(MUS)-15 | | |
| 23 | P1-6,TS(MUS)-19 | | |
| 23 | TS(MUS)-19,TS(MUS)-13 | | |
| 24 | P1-9,P2-4 | | |
| 25 | P1-10,P2-1 | | |
| 26 | P1-11,P2-2 | | |
| 27 | P1-12,P2-3 | | |
| 28 | P1-13,TS(MUS)-16 | | |
| 28 | TS(MUS)-16,TS(MUS)-14 | | |
| 29 | P1-15,TS(MUS)-20 | | |
| 29 | TS(MUS)-20,TS(MUS)-18 | | |
| 11 | P1-17,TS-1 | | |
| 4 | P1-18,TS-5 | | |
| 3 | P1-19,TS-3 | | |
| 5 | P1-20,TS-7 | | |
| 30 | P1-21,P1-23 | | |
| REMOVE WIRES | | | |
| 6 | TS(AUX1)-24,J3-1 | | |
| 7 | TS(AUX1)-25,J3-2 | | |
| 14 | P-17,J3-3 | | |
| ADD WIRES | | | |
| 6 | TS(AUX1)-24,TB-1 | | |
| 7 | TS(AUX1)-25,TB-2 | | |
| 200 | P-1 | | |
| 14 | P-17,TB-3 | | |
| 222 | P-15 | | |

| 2 ← HARNESS LOCATOR | | BOX CHECKED IF HARNESS IS MODIFIED <input checked="" type="checkbox"/> | |
|---------------------|-----------------------|--|-----|
| WIRE No. | TS STD. AUX. CONTACTS | CLR | AWG |
| 40 | TB-4,TS(AUX1)-27 | | 16 |
| 41 | TB-5,TS(AUX1)-28 | | |
| 42 | TB-6,TS(AUX1)-29 | | |
| 43 | TB-7,TS(AUX1)-30 | | |
| 44 | TB-8,TS(AUX1)-31 | | |
| 45 | TB-9,TS(AUX1)-32 | | |

| 3 ← HARNESS LOCATOR | | BOX CHECKED IF HARNESS IS MODIFIED <input type="checkbox"/> | |
|---------------------|------------------------|---|-----|
| WIRE No. | OPTIONAL AUX. CONTACTS | CLR | AWG |
| 46 | TB-10,TS(AUX1)-33 | | 16 |
| 47 | TB-11,TS(AUX1)-34 | | |
| 48 | TB-12,TS(AUX1)-35 | | |
| 49 | TB-13,TS(AUX1)-36 | | |
| 50 | TB-14,TS(AUX1)-38 | | |
| 51 | TB-15,TS(AUX1)-37 | | |

| 4 ← HARNESS LOCATOR | | BOX CHECKED IF HARNESS IS MODIFIED <input type="checkbox"/> | |
|---------------------|--|---|-----|
| WIRE No. | OPTIONAL ACCESSORY 23GB (CT*AP-SB,CP(23G)-TB1) | CLR | AWG |
| 230 | CT1-X1,AP-SB-1 | | 16 |
| 230 | AP-SB-2,CP(23G)-TB1-1 | | |
| 231 | CT2-X1,AP-SB-3 | | |
| 231 | AP-SB-4,CP(23G)-TB1-2 | | |
| 232 | CT3-X1,AP-SB-5 | | |
| 232 | AP-SB-6,CP(23G)-TB1-3 | | |
| 233 | CT1-X2,CT2-X2 | | GRN |
| 233 | CT2-X2,CT3-X2 | | GRN |
| 233 | CT3-X2,AP-SB-7 | | GRN |
| 233 | AP-SB-7,EQUIP. GRD. | | GRN |
| 233 | AP-SB-8,CP(23G)-TB1-4 | | GRN |

| 5 ← HARNESS LOCATOR | | BOX CHECKED IF HARNESS IS MODIFIED <input type="checkbox"/> | |
|---------------------|---|---|-----|
| WIRE No. | HARNESS 309320-005 OPTIONAL 8 IN. EXTENSION HARNESS | CLR | AWG |
| 200 | Jx-1,Px-1 | | 16 |
| 1 | Jx-2,Px-2 | | |
| 2 | Jx-3,Px-3 | | |
| 3 | Jx-4,Px-4 | | |
| 4 | Jx-5,Px-5 | | |
| 5 | Jx-6,Px-6 | | |
| 4 | Jx-7,Px-7 | | |
| 6 | Jx-8,Px-8 | | |
| 7 | Jx-9,Px-9 | | |
| 8 | Jx-10,Px-10 | | |
| 9 | Jx-11,Px-11 | | |
| 10 | Jx-12,Px-12 | | |
| 11 | Jx-13,Px-13 | | |
| 12 | Jx-14,Px-14 | | |
| 222 | Jx-15,Px-15 | | |
| 13 | Jx-16,Px-16 | | |
| 14 | Jx-17,Px-17 | | |
| 15 | Jx-18,Px-18 | | |
| 16 | Jx-19,Px-19 | | |
| 17 | Jx-20,Px-20 | | |
| 18 | Jx-21,Px-21 | | |
| 19 | Jx-22,Px-22 | | |
| 20 | Jx-23,Px-23 | | |
| 21 | Jx-24,Px-24 | | |

| WIRE No. | ADDITIONAL WIRING | CLR | AWG |
|----------|-------------------|-----|-----|
| | | | 16 |

| | | | | | | |
|---|-----|----------------------------|----------|---|--|------|
| PROJECT NAME: | | REV. TO SHEET | ECN NO. | BY | APP. | DATE |
| WIRING | | 245072 BK BK 10/28/13 | | ISSUE | | |
| 300 SERIES (G3A/NTS) 3PH 1000-3000 AMPS | | DIAGRAM | | THIRD ANGLE PROJECTION | | |
| "G" FRAME, GROUP G CONTROLS | | COMPUTER GENERATED DRAWING | | SCALE NONE SIZE DS | | |
| DRAWN BY | DJB | DATE | 10/28/13 | ASSEMBLY REF. NO. | | |
| CHECKED | BK | DATE | 10/28/13 | PROPERTY OF ASCO POWER TECHNOLOGIES. USE PERMITTED FOR OUR WORK ONLY. ALL RIGHTS OF DESIGN OR INVENTION ARE RESERVED. | DWG. NO. 1001662 | |
| FINAL APPROVAL | BK | DATE | 10/28/13 | ASCO® ASCO POWER TECHNOLOGIES, L.P. FLOHAM PARK, NEW JERSEY 07932 U.S.A. | DRAWING REV. ECN NO. 245072 SHEET 7 OF 7 | |