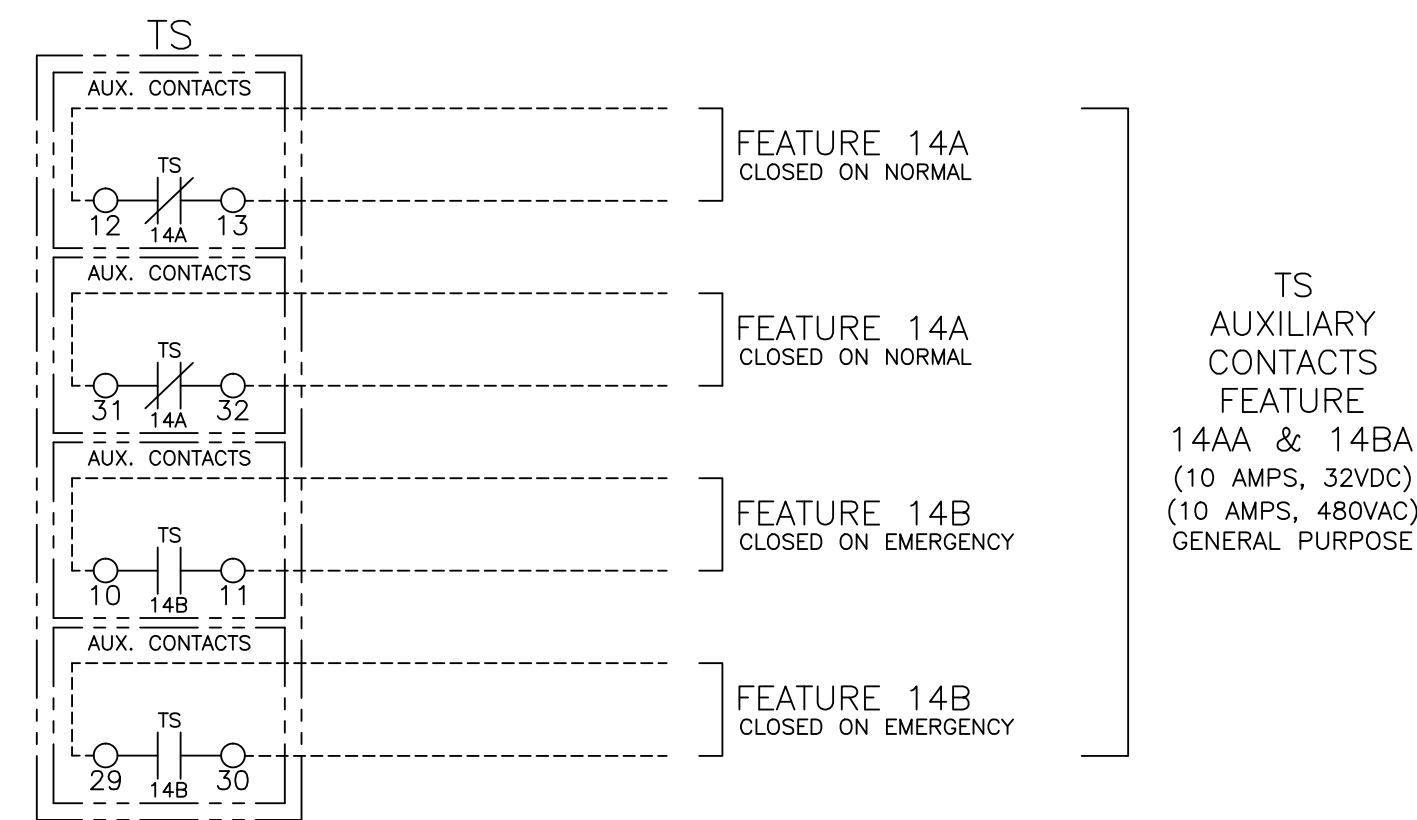
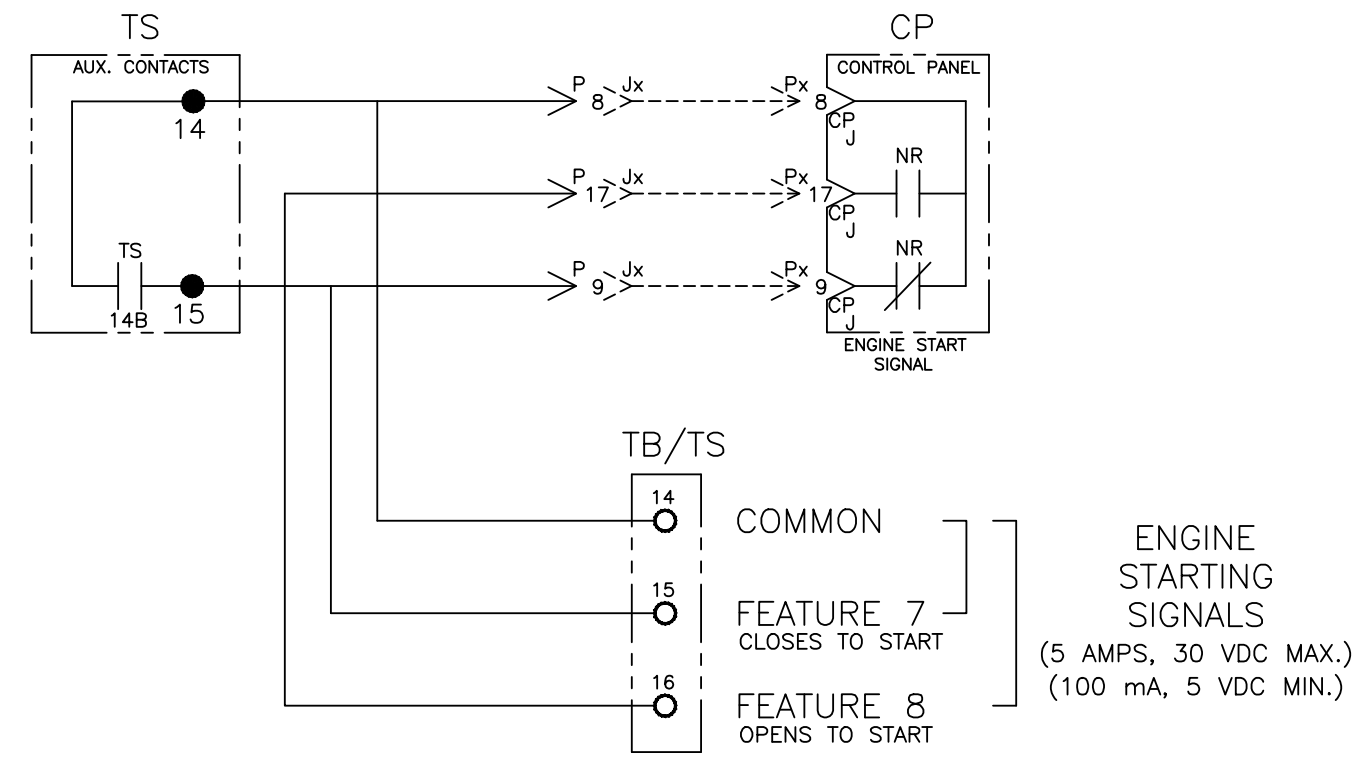


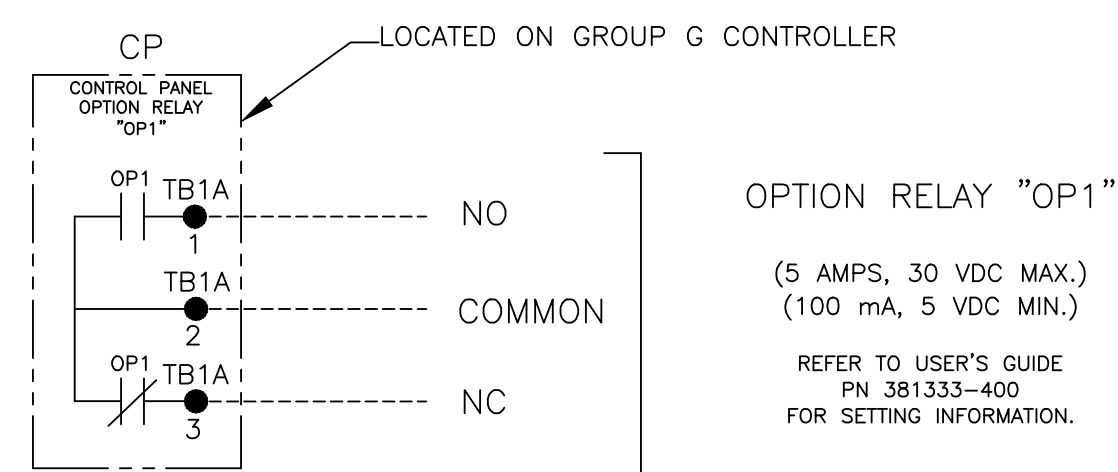




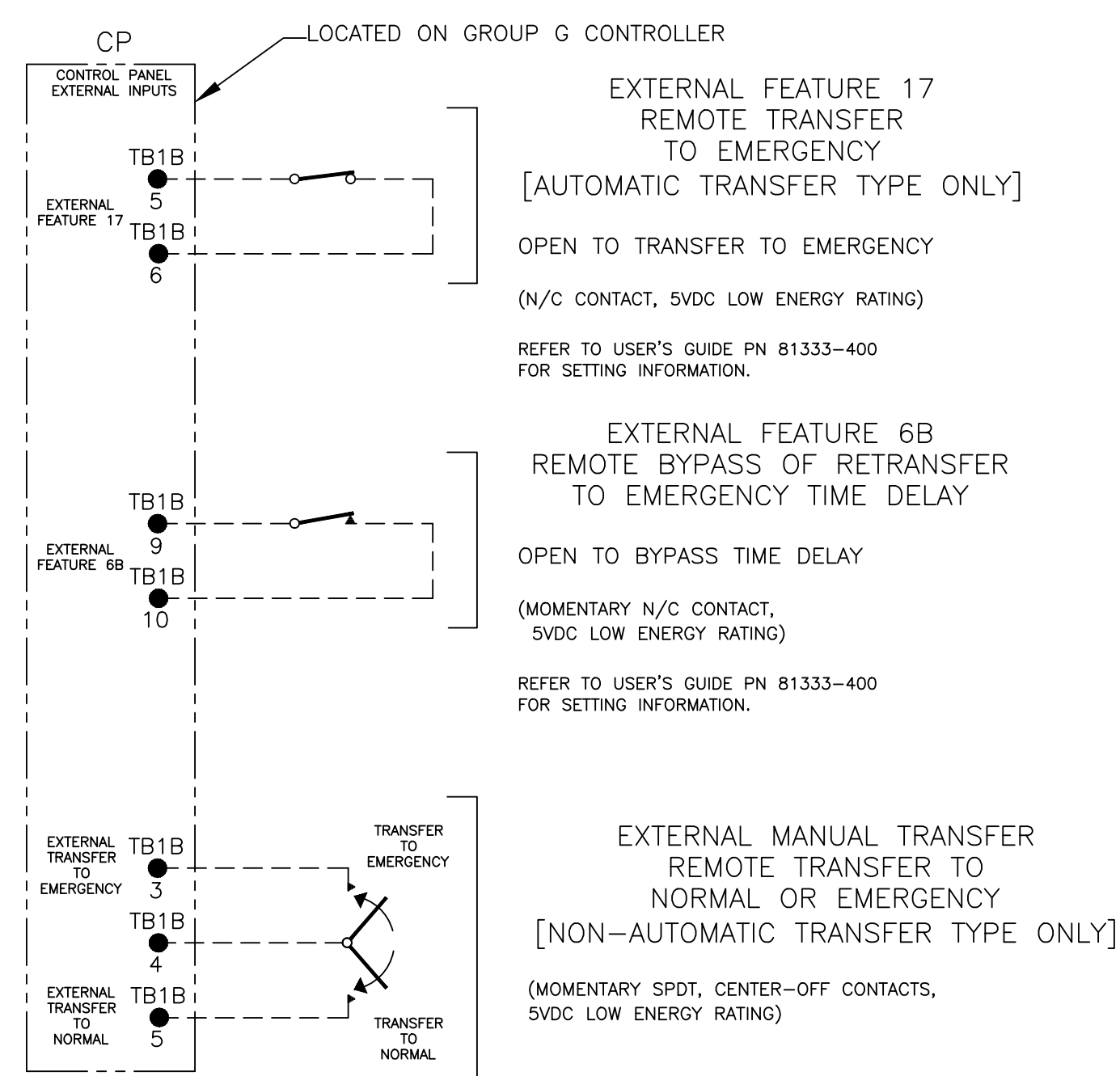
# FIELD CONNECTIONS



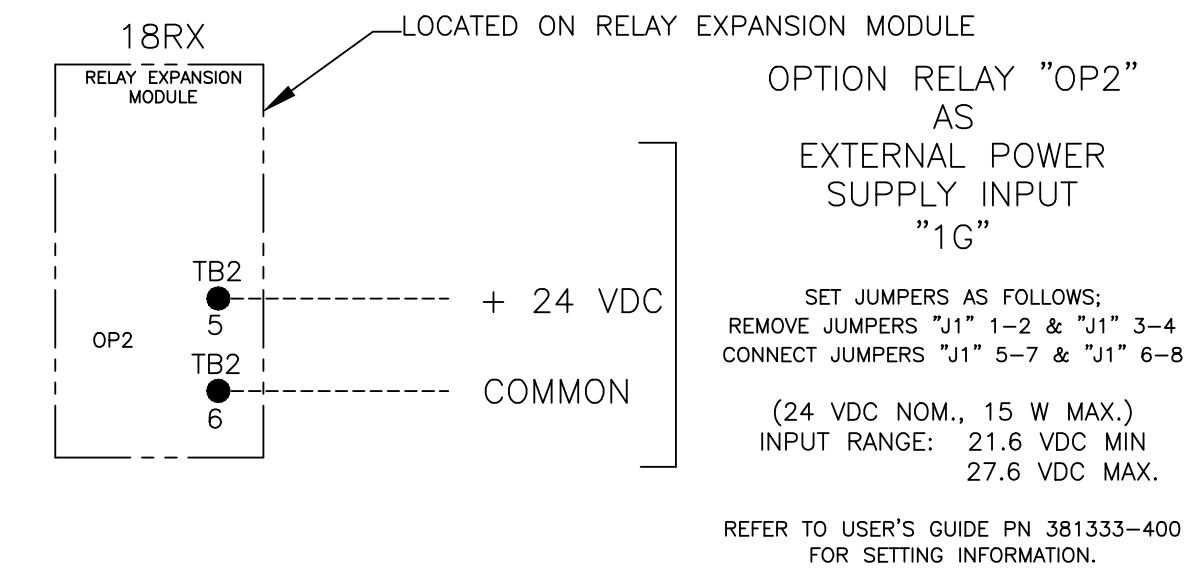
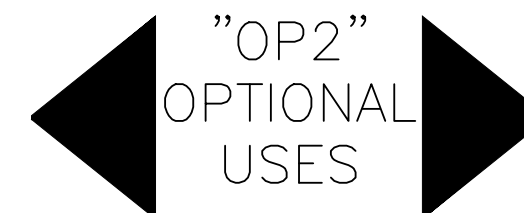
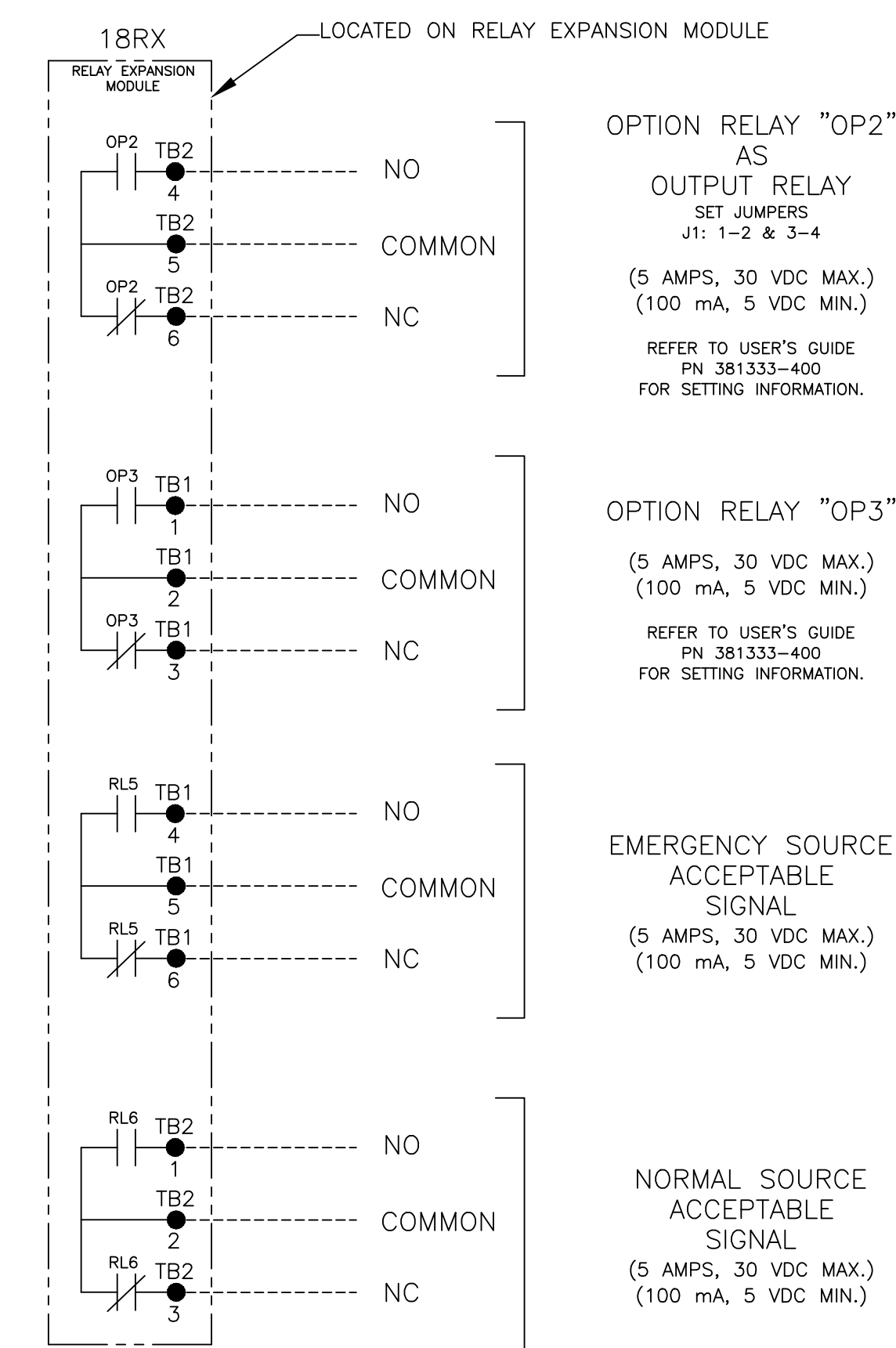
### CONTROLLER OPTION RELAY "OP1" (STANDARD)



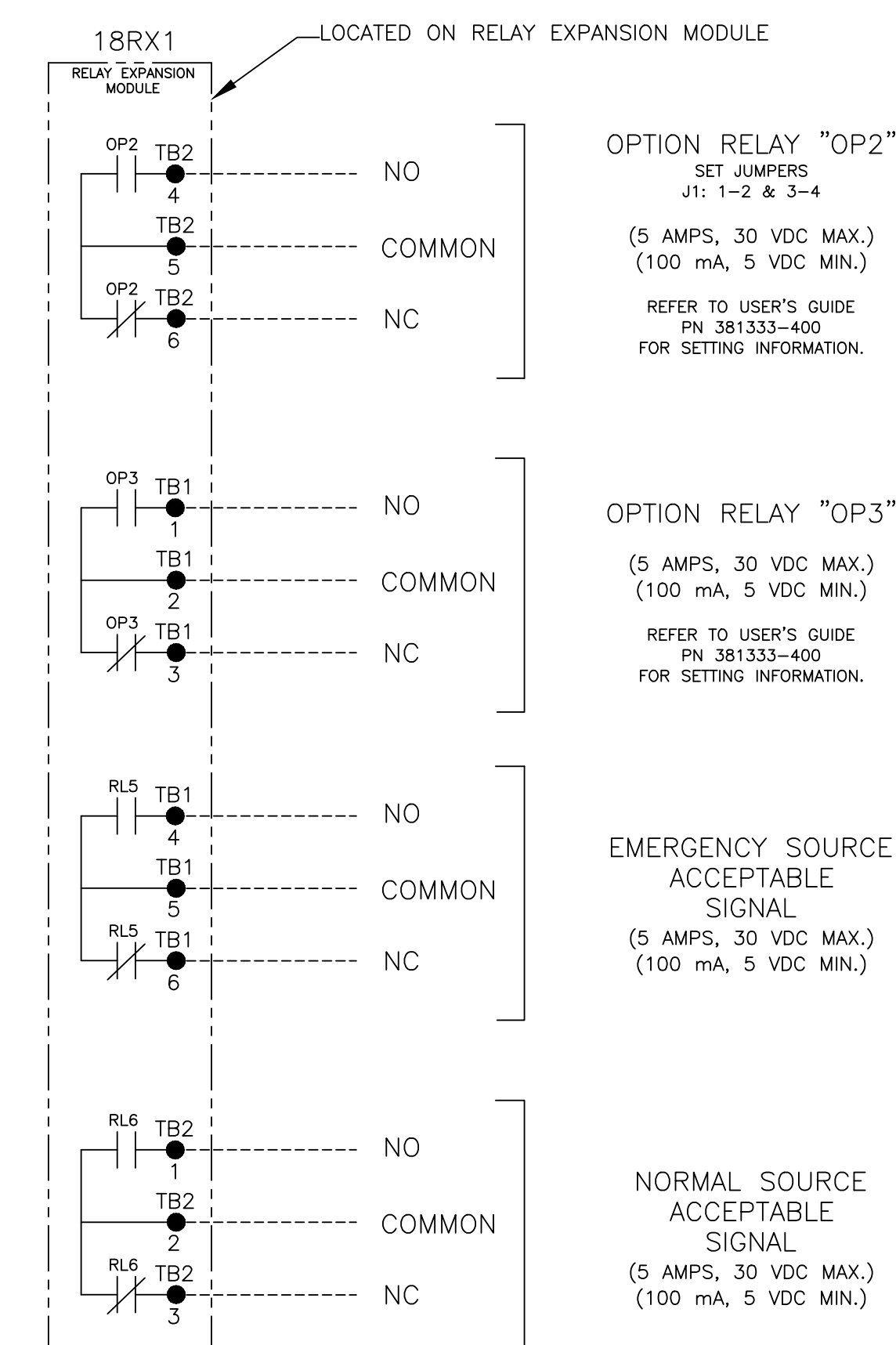
### CONTROLLER REMOTE CONTROL FEATURES



### OPTIONAL ACCESSORY 18RX (RELAY EXPANSION MODULE)



### OPTIONAL ACCESSORY 18RX1 (SECOND RELAY EXPANSION MODULE)



|   |         |     |     |          |
|---|---------|-----|-----|----------|
| B | 243244  | DL  | JPB | 07/10/13 |
|   | SEE ECN |     |     |          |
| A | 242580  | SDH | SDH | 5/24/13  |
|   | SEE ECN |     |     |          |
| - | 242255  | SDH | SDH | 5/6/13   |
|   | ISSUE   |     |     |          |

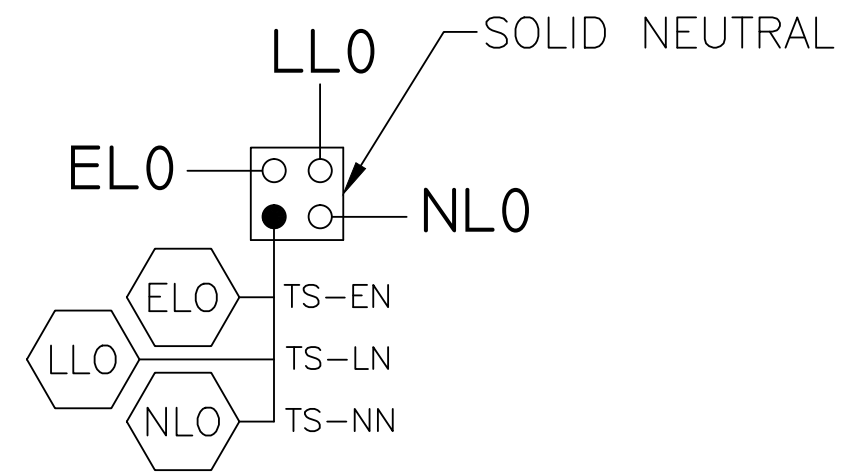
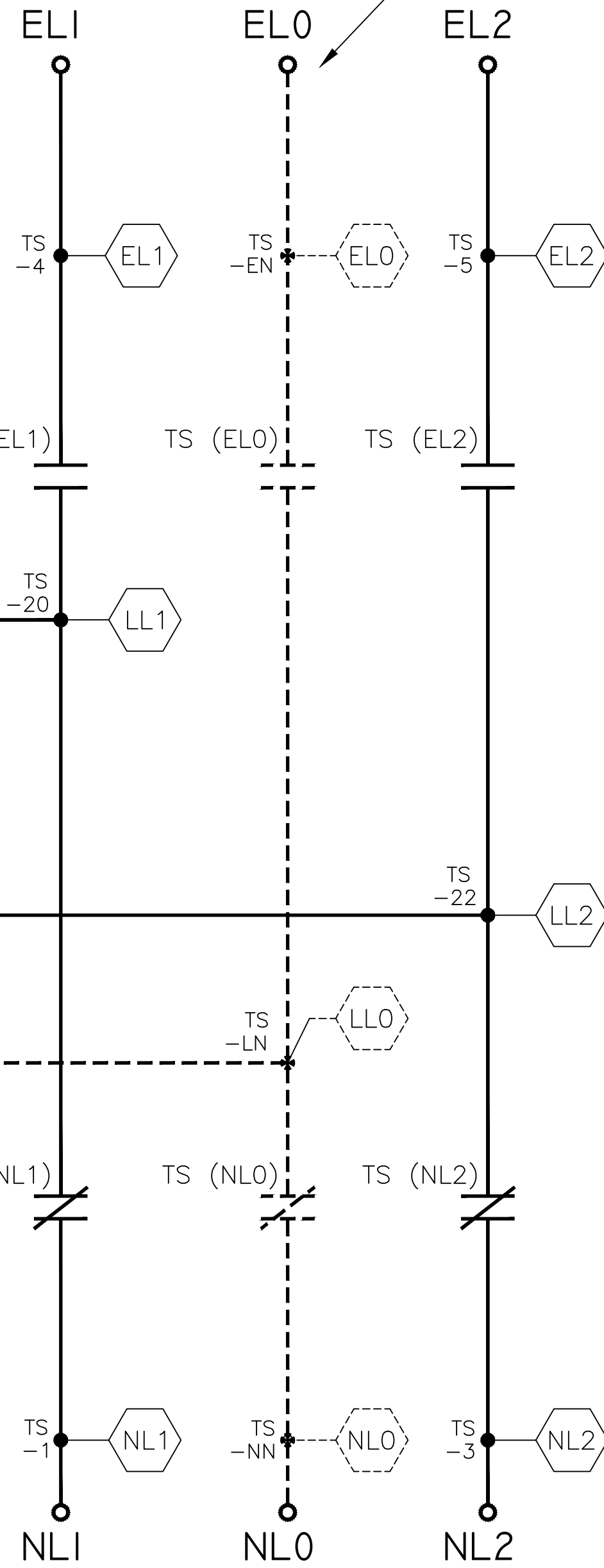
|  |            |   |  |
|--|------------|---|--|
| PROJECT NAME:                                    |            | WIRING DIAGRAM  |  |
| 300 SERIES D3ATS/D3NTS, SINGLE PHASE 30-230 AMPS |            | "D" FRAME, GROUP G CONTROLS   |  |
| BY   | DATE       | MANUFACTURING TOLERANCES TO BE IN ACCORDANCE WITH ASCO PROCEDURE MP-1-003. FOR PLASTIC PARTS SEE MP-1-055.            | ASSEM. REF. NO.                            |
| SDH  | 5/6/13     |   |  |
| CHECKED  |            | PROPERTY OF ASCO POWER TECHNOLOGIES. USE PERMITTED FOR OUR WORK ONLY. ALL RIGHTS OF DESIGN OR INVENTION ARE RESERVED. | SCALE 1:1 SIZE DS                          |
| PROJECT APPROVAL                                 |            |   | DWG. NO. 978739                            |
| FINAL APPROVAL                                   | SDH 5/6/13 | ASCO® ASCO POWER TECHNOLOGIES, L.P. FLORHAM PARK, NEW JERSEY 07932 U.S.A.   | DRAWING REV. B ECN NO. 243244 SHEET 2 OF 6 |

MAIN POWER POLES

TS OPERATOR CIRCUIT

EMERGENCY

OPTIONAL SWITCHING NEUTRAL



OPTIONAL NEUTRAL TYPES

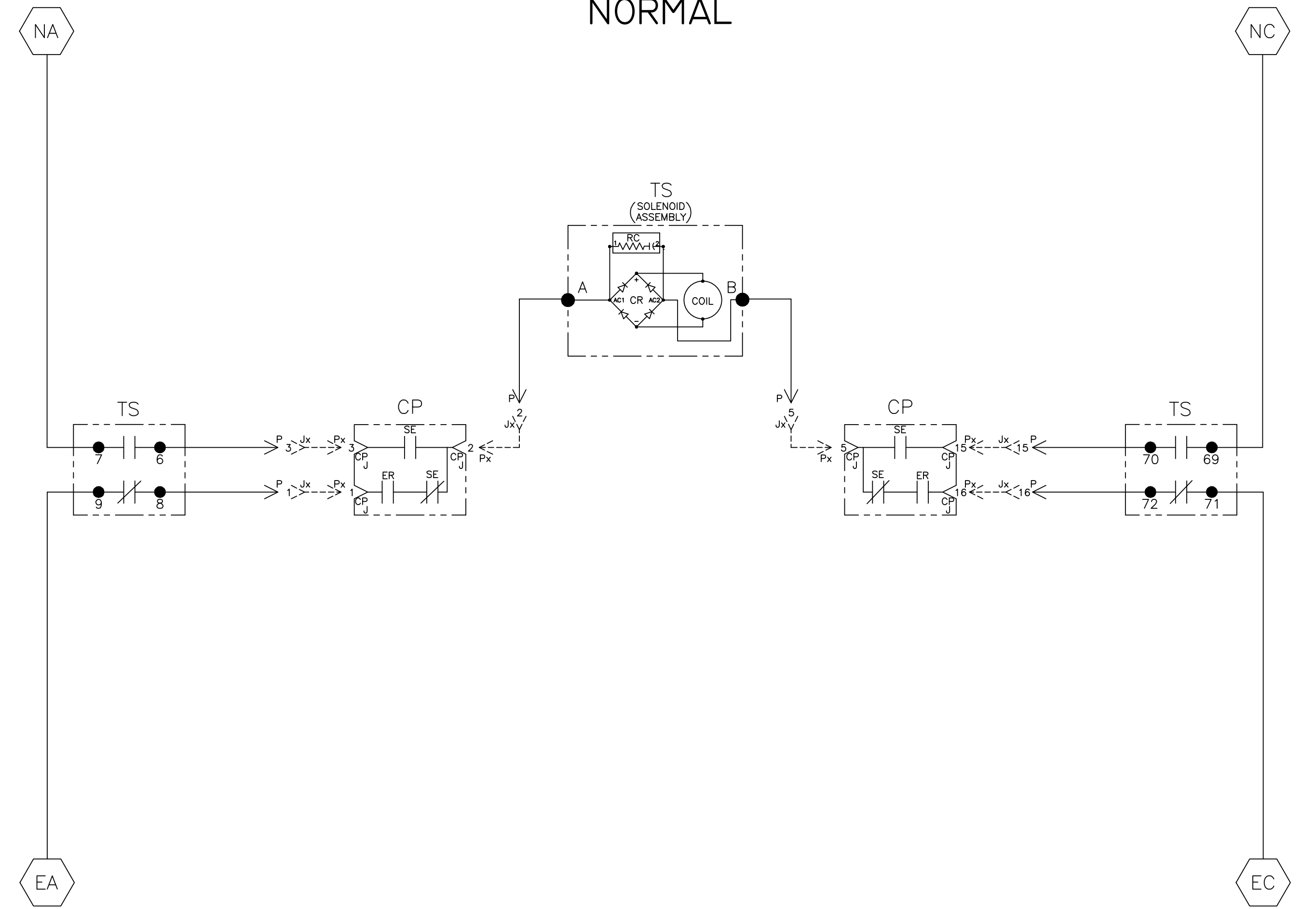
REFER TO "EXPLANATION OF CATALOG NUMBER CODES" IN CATALOG NUMBER CHART ON SHEET 1.

- SOLID BUS PLATE
- SWITCHING (LOCATED BETWEEN L1 & L2 POLES)

NOTE:  
ATS SHOWN CLOSED ON NORMAL SOURCE.

NORMAL

EMERGENCY



| TS    | SOLENOID POSITION    |            |     |                     |
|-------|----------------------|------------|-----|---------------------|
|       | CLOSED BEFORE NORMAL | BEFORE TDC | TDC | CLOSED BEFORE EMERG |
| 6-7   |                      |            |     |                     |
| 69-70 |                      |            |     |                     |
| 8-9   |                      |            |     |                     |
| 71-72 |                      |            |     |                     |

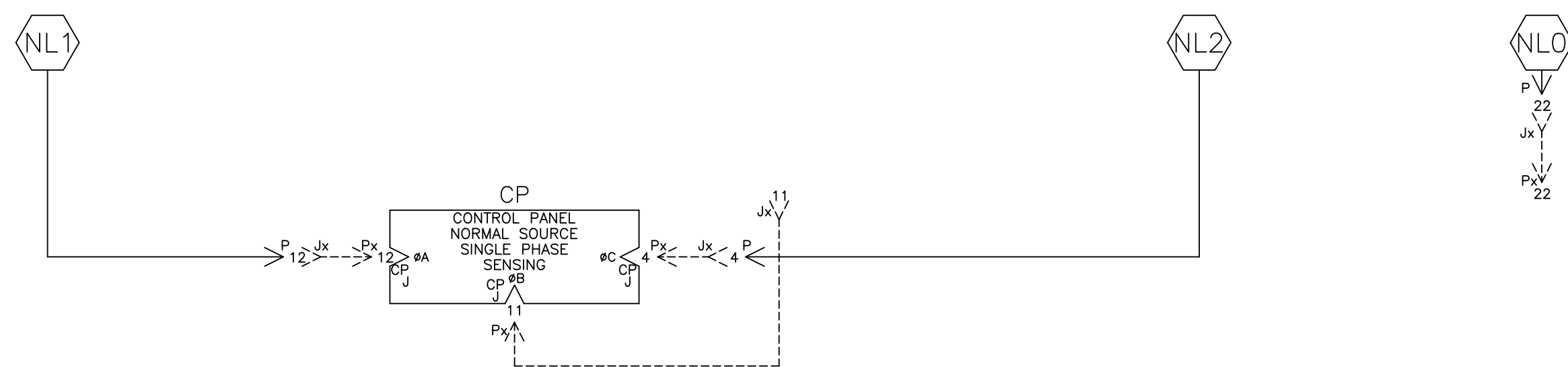
TDC (TOP DEAD CENTER)  
TRANSFER SWITCH TEST & ADJUSTMENT PROCEDURE SPECIFIES CONTROL CUT-OFF (CONTACT OPENING) SETTING.

|                              |         |   |           |
|------------------------------|---------|---|-----------|
| PROJECT NAME:                |         | DIAGRAM   |           |
| WIRING                       |         | 300 SERIES D3ATS/D3NTS SINGLE PHASE 30-230 AMPS "D" FRAME, GROUP G CONTROLS |           |
| REV. TO SHEET                | ECN NO. | BY  | APP. DATE |
|                              |         |   |           |
| DRAWN BY: SDH 5/6/13         |         | ASSEMBLY REF. NO.   |           |
| CHECKED BY: SDH 5/6/13       |         | SCALE: 1:1 SIZE: DS   |           |
| PROJECT APPROVAL: SDH 5/6/13 |         | DWG. NO. 978739   |           |
| FINAL APPROVAL: SDH 5/6/13   |         | DRAWING REV. B ECN NO. 243244 SHEET 3 OF 6                                  |           |



NORMAL SOURCE CIRCUITS

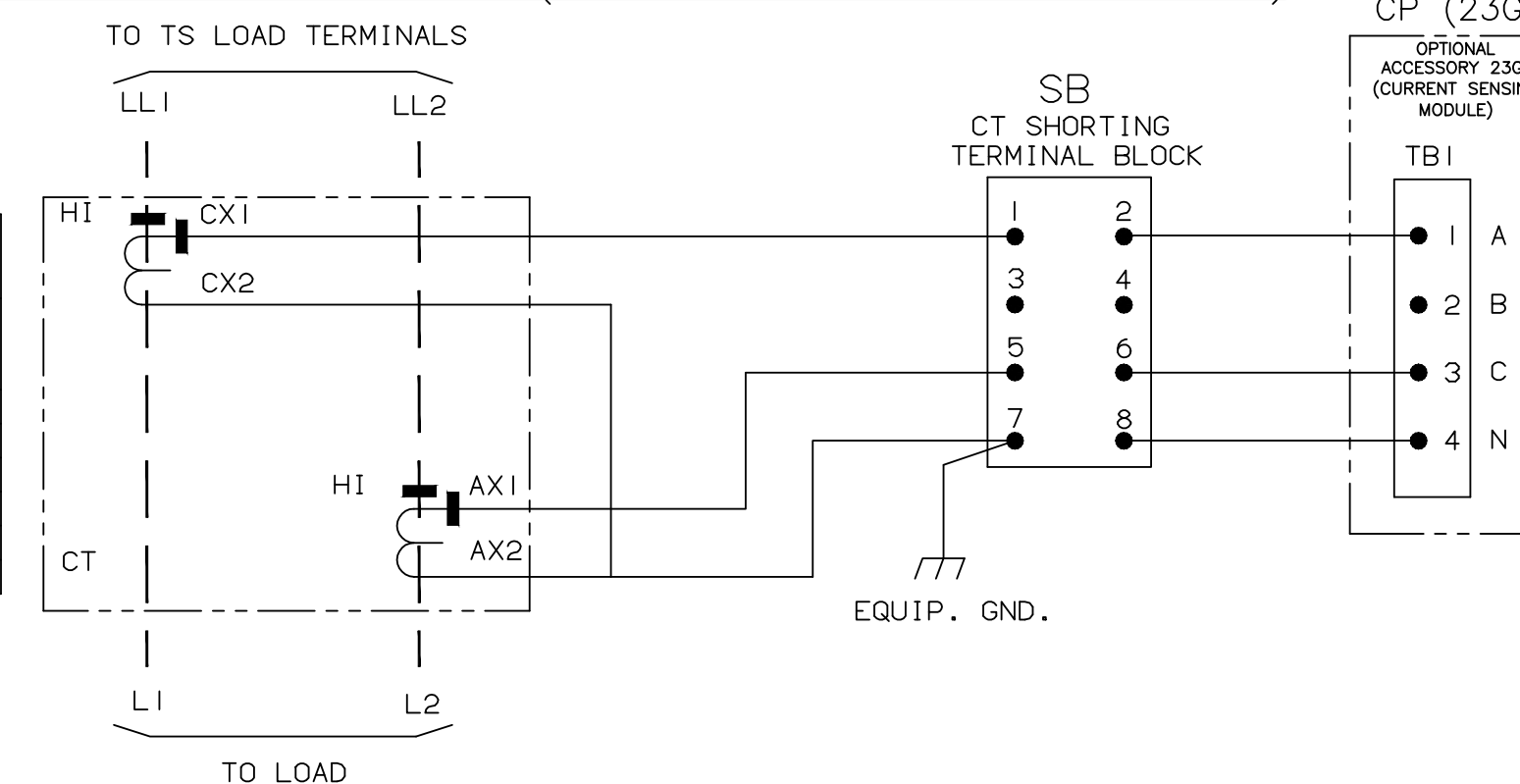
NORMAL



ADDITIONAL CIRCUITS

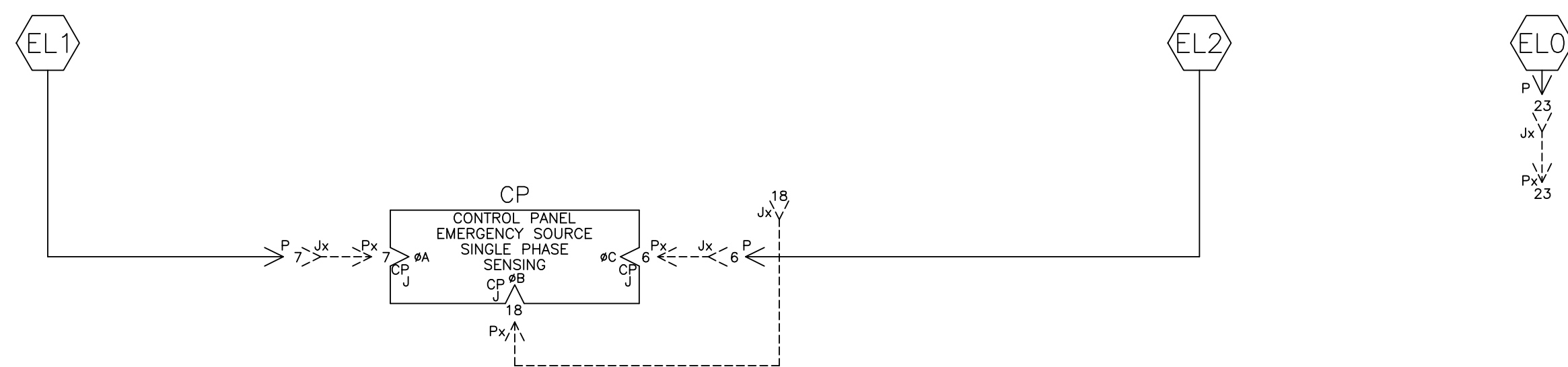
OPTIONAL ACCESSORY 23GA (LOAD CURRENT METERING)

| SWITCH RATING | CT RATIO |
|---------------|----------|
| 30A           | 50:5A    |
| 70A           | 75:5A    |
| 100A          | 100:5A   |
| 150A          | 150:5A   |
| 200A          | 200:5A   |
| 230A          | 250:5A   |



EMERGENCY SOURCE CIRCUITS

EMERGENCY

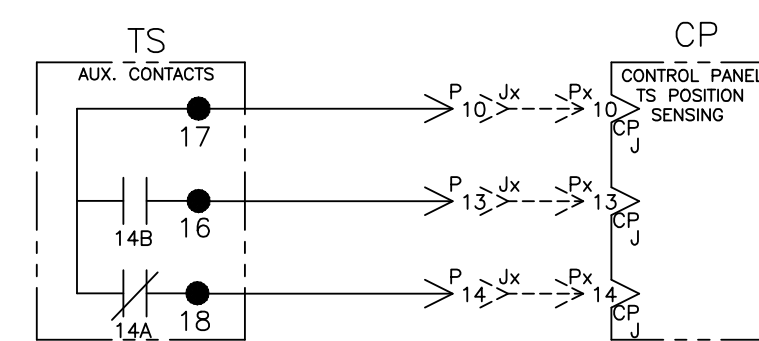


LOAD TERMINAL CIRCUITS

LOAD



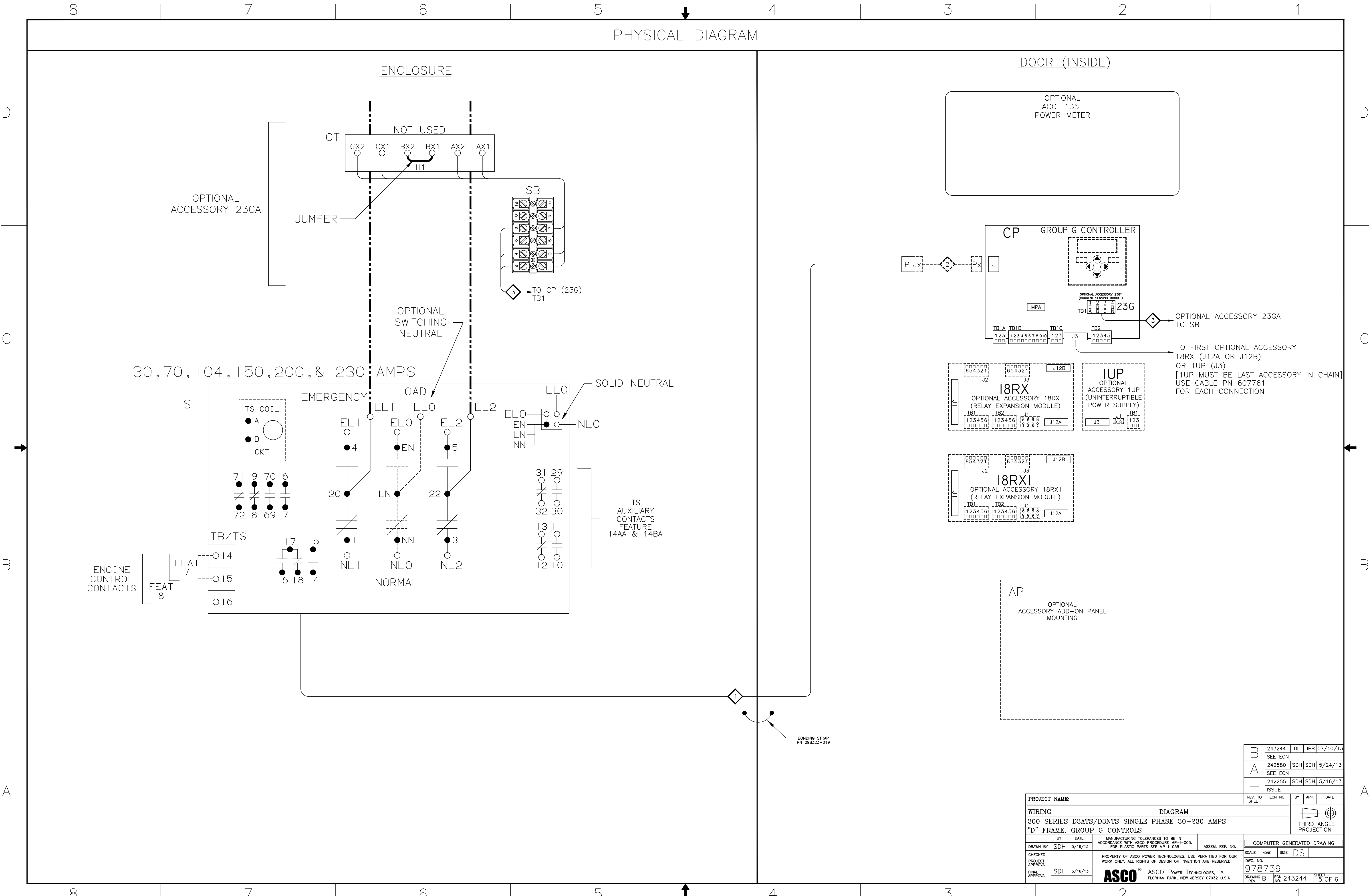
CONTROL SIGNALS & INDICATION



|   |  |   |         |                                       |      |                            |
|---|--|---|---------|---------------------------------------|------|----------------------------|
| PROJECT NAME:                                   |  | REV. TO SHEET   | ECN NO. | BY                                    | APP. | DATE                       |
| WIRING DIAGRAM                                  |  | 243244  | DL      | JPB                                   |      | 07/10/13                   |
| 300 SERIES D3ATS/D3NTS SINGLE PHASE 30-230 AMPS |  | SEE ECN   |         |                                       |      |                            |
| "D" FRAME, GROUP G CONTROLS                     |  | 242580  | SDH     | SDH                                   |      | 5/24/13                    |
|   |  | SEE ECN   |         |                                       |      |                            |
|   |  | 242255  | SDH     | SDH                                   |      | 5/16/13                    |
|   |  | ISSUE   |         |                                       |      |                            |
| DRAWN BY SDH 5/16/13                            |  | PROPERTY OF ASCO POWER TECHNOLOGIES. USE PERMITTED FOR OUR WORK ONLY. ALL RIGHTS OF DESIGN OR INVENTION ARE RESERVED. |         | ASSEM. REF. NO.                       |      | COMPUTER GENERATED DRAWING |
| CHECKED   |  | SCALE NONE SIZE DS  |         | DWG. NO.                              |      | 978739                     |
| PROJECT APPROVAL                                |  | ASCOTM  |         | DRAWING REV. B                        |      | ECN NO. 243244             |
| FINAL APPROVAL SDH 5/16/13                      |  | ASCOTM  |         | FLORHAM PARK, NEW JERSEY 07932 U.S.A. |      | SHEET 4 OF 6               |



PHYSICAL DIAGRAM



|   |        |     |     |          |
|---|--------|-----|-----|----------|
| B | 243244 | DL  | JPB | 07/10/13 |
| A | 242580 | SDH | SDH | 5/24/13  |
| - | 242255 | SDH | SDH | 5/16/13  |

|                  |     |   |         |  |         |                            |        |              |
|------------------|-----|---|---------|--|---------|----------------------------|--------|--------------|
| PROJECT NAME:    |     | DIAGRAM   |         | REV. TO SHEET  | ECN NO. | BY                         | APP.   | DATE         |
| WIRING           |     | 300 SERIES D3ATS/D3NTS SINGLE PHASE 30-230 AMPS 'D' FRAME, GROUP G CONTROLS |         | ASSEMBLY REF. NO.  |         | COMPUTER GENERATED DRAWING |        |              |
| DRAWN BY         | SDH | DATE  | 5/16/13 | SCALE  | NONE    | SIZE                       | DS     |              |
| CHECKED          |     | DATE  |         | DWG. NO.   | 978739  |                            |        |              |
| PROJECT APPROVAL |     | DATE  |         | DRAWING REV.   | B       | ECN NO.                    | 243244 | SHEET 5 OF 6 |
| FINAL APPROVAL   | SDH | DATE  | 5/16/13 | ASCO® ASCO POWER TECHNOLOGIES, L.P.<br>FLORHAM PARK, NEW JERSEY 07932 U.S.A. |         |                            |        |              |

SCALE NONE SIZE DS

