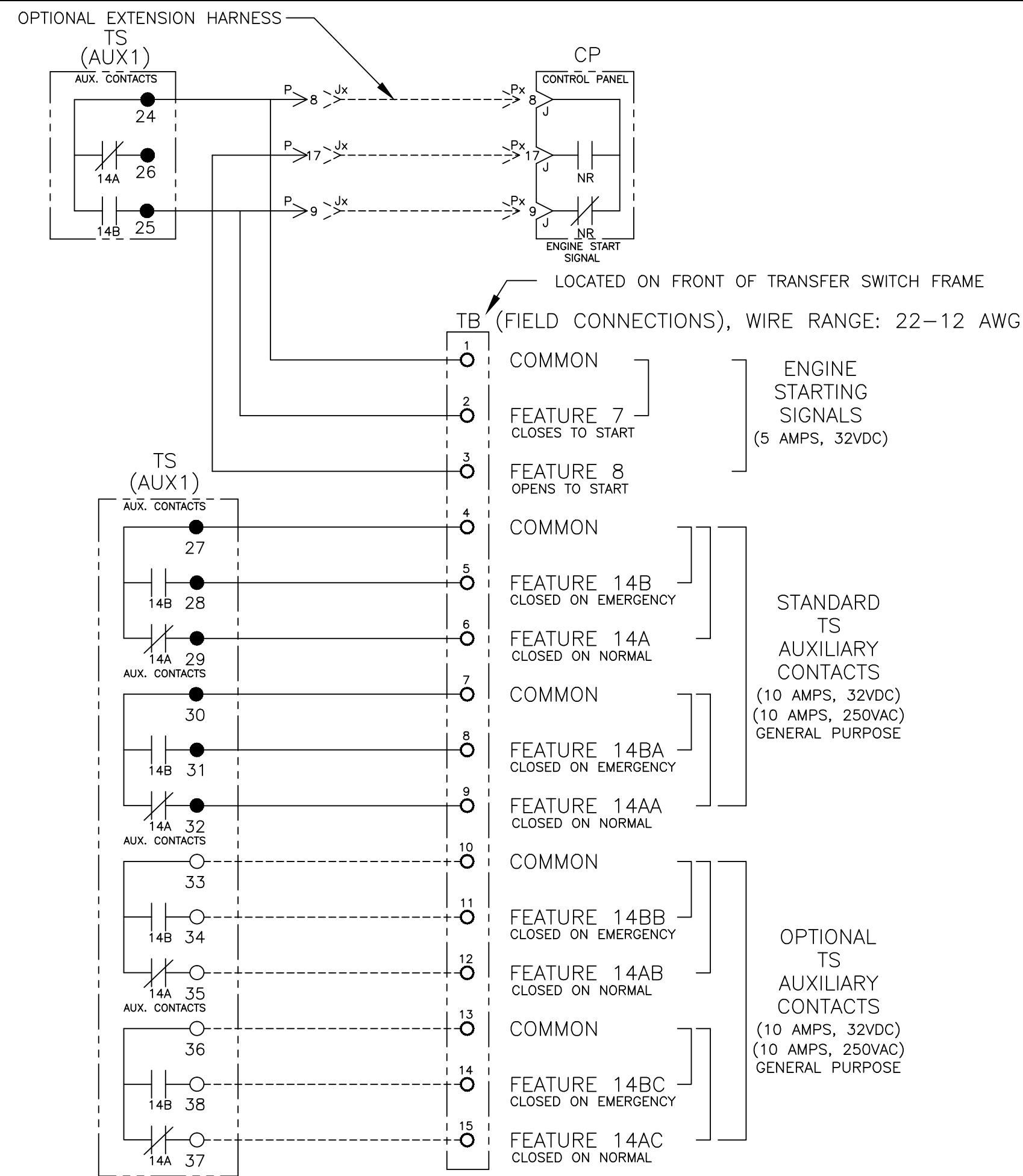
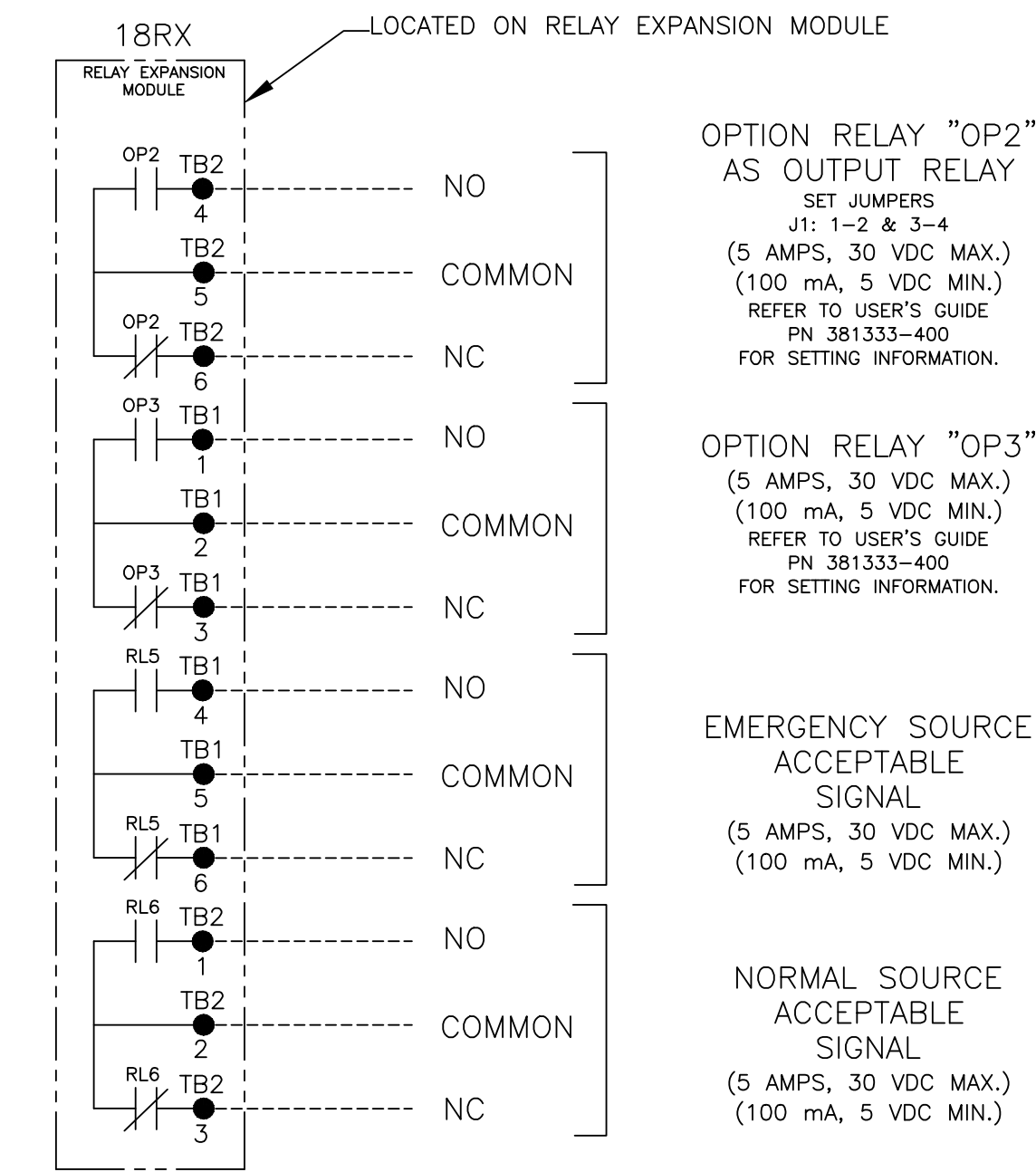




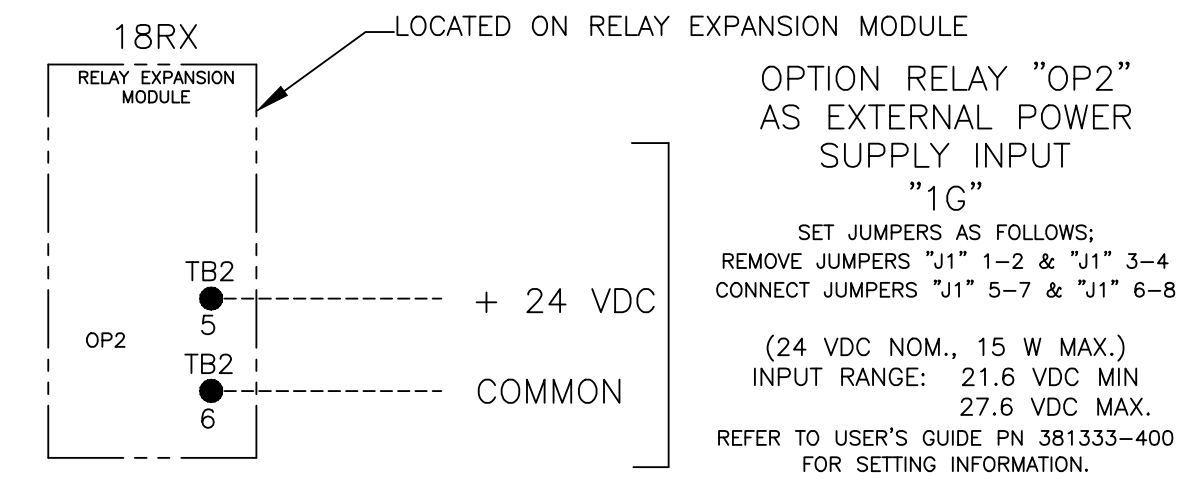
# FIELD CONNECTIONS



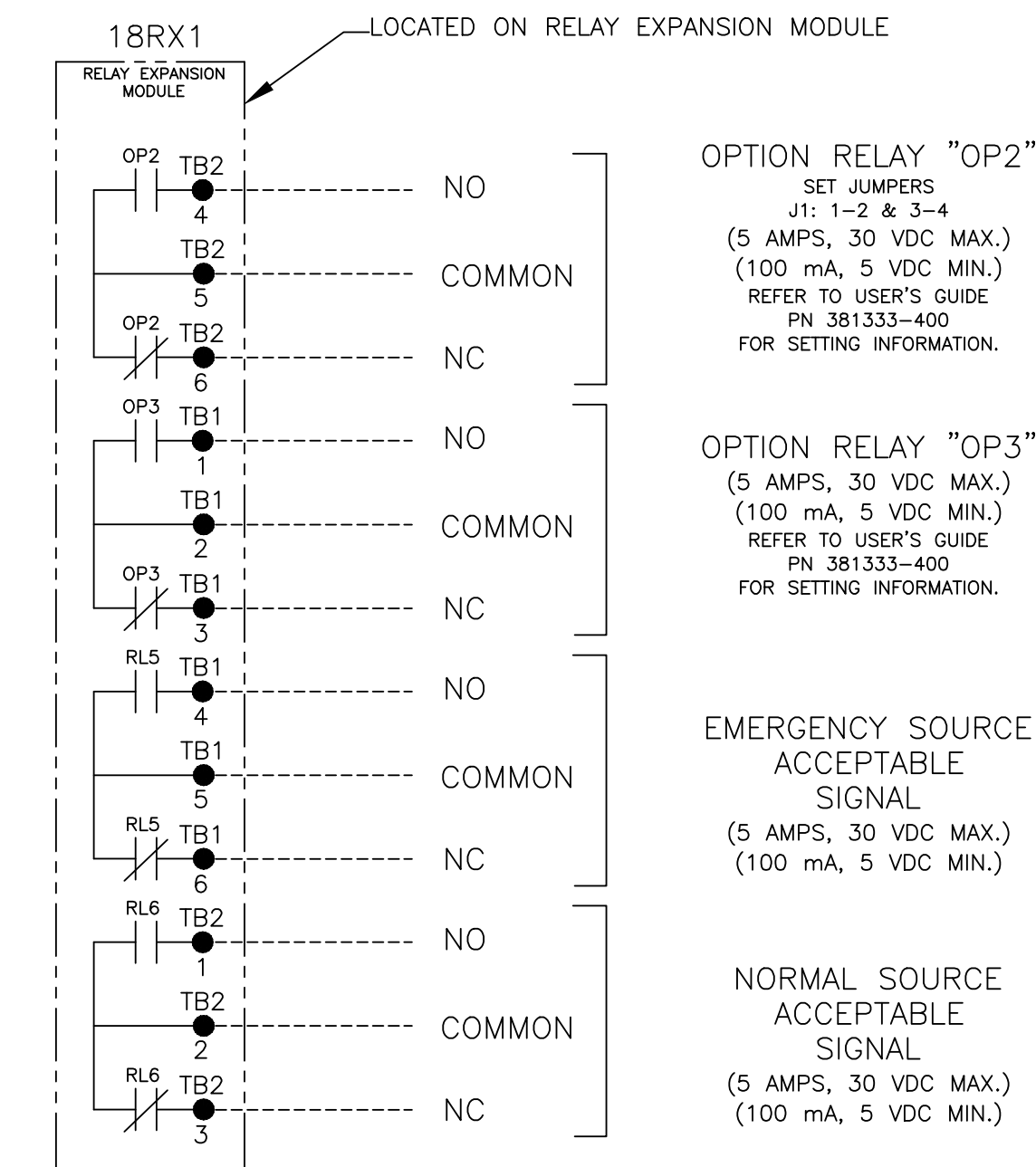
## OPTIONAL ACCESSORY 18RX (RELAY EXPANSION MODULE)



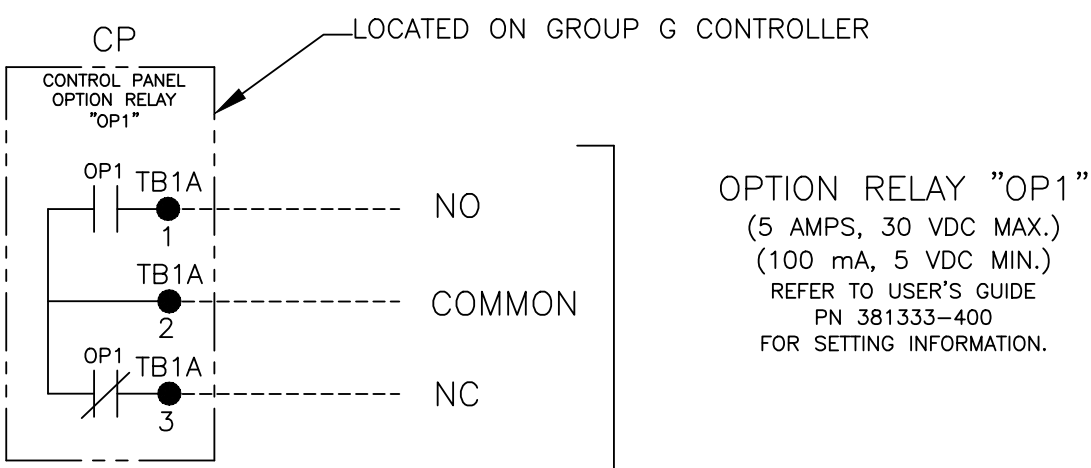
"OP2" OPTIONAL USES



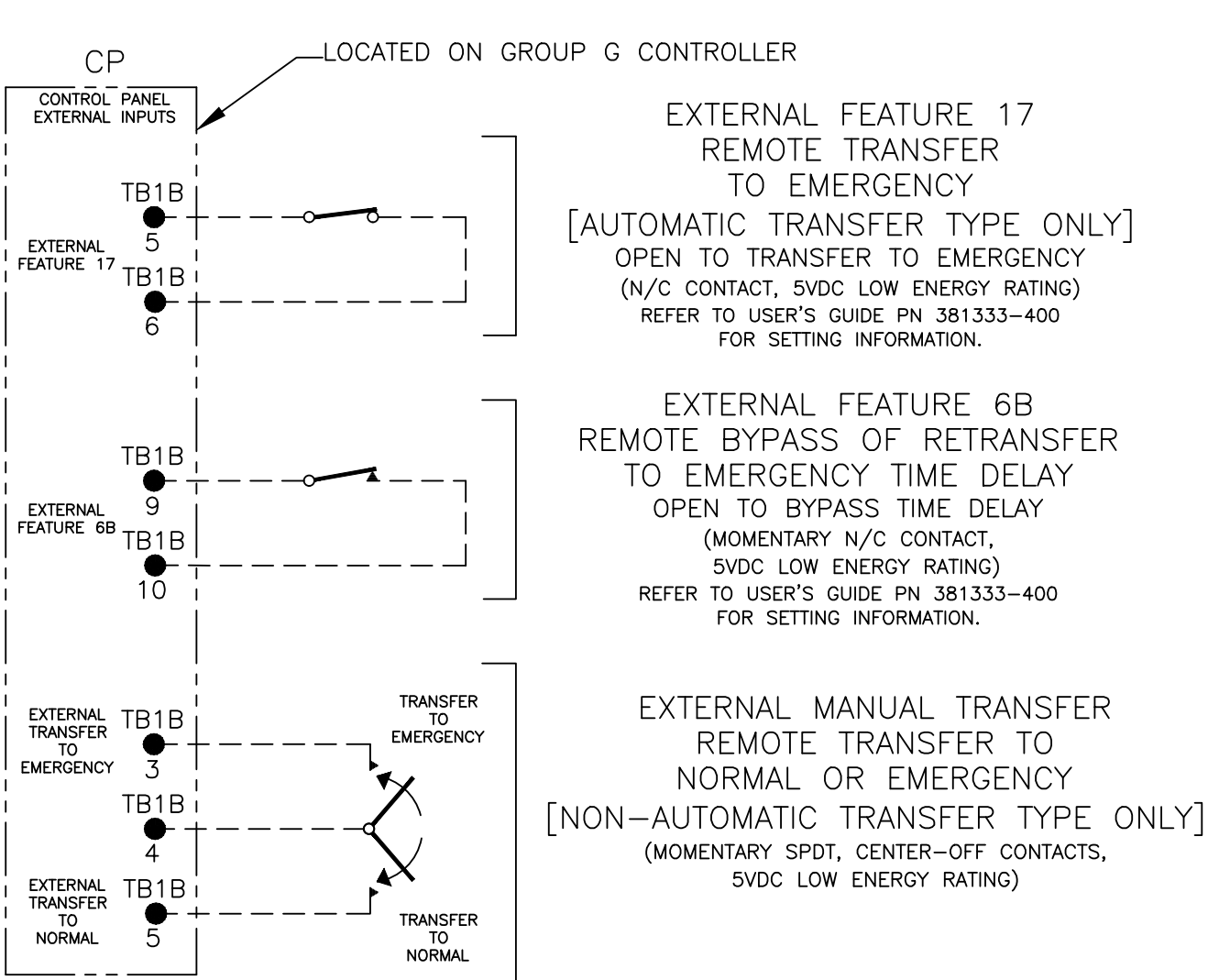
## OPTIONAL ACCESSORY 18RX1 (SECOND RELAY EXPANSION MODULE)



## CONTROLLER OPTION RELAY "OP1" (STANDARD)



## CONTROLLER REMOTE CONTROL FEATURES



PROJECT NAME:		245204 BK BK 11/07/13	
WIRING DIAGRAM		ISSUE	
300 SERIES (H3ATS/H3NTS) 3PH 600-1200 AMPS		BY APP. DATE	
"H" FRAME, GROUP G CONTROLS		THIRD ANGLE PROJECTION	
DRAWN BY	DATE	MANUFACTURING TOLERANCES TO BE IN ACCORDANCE WITH ASCO PROCEDURE MP-1-003. FOR PLASTIC PARTS SEE MP-1-055.	ASSEM. REF. NO.
CHECKED	DATE	PROPERTY OF ASCO POWER TECHNOLOGIES. USE PERMITTED FOR OUR WORK ONLY. ALL RIGHTS OF DESIGN OR INVENTION ARE RESERVED.	SCALE NONE SIZE DS
PROJECT APPROVAL	DATE		DWG. NO. 1001657
FINAL APPROVAL	DATE		DRAWING REV. ECN NO. 245204 SHEET 2 OF 6



8

7

6

5

4

3

2

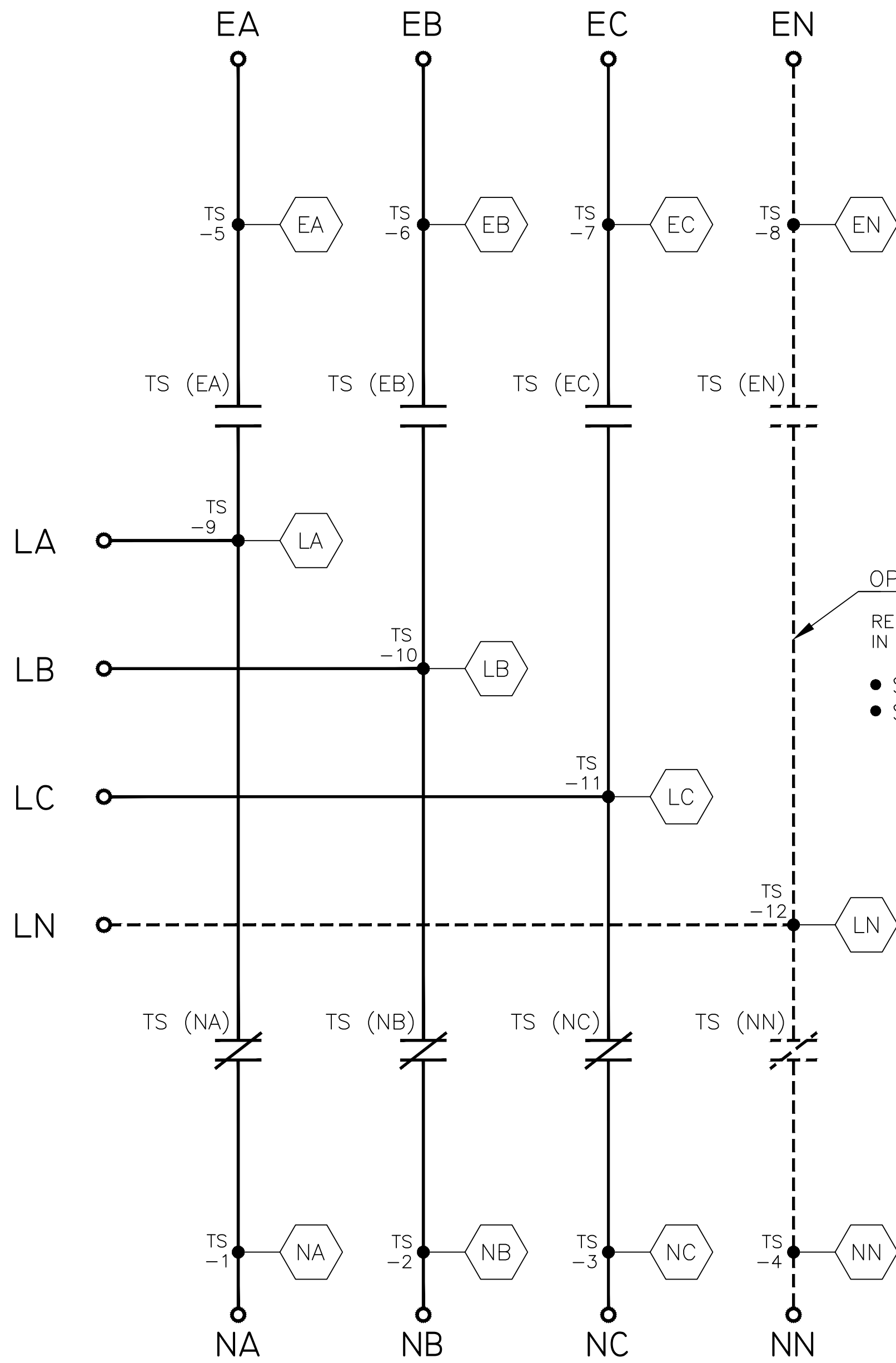
1

MAIN POWER POLES

TS OPERATOR CIRCUIT

EMERGENCY

NORMAL



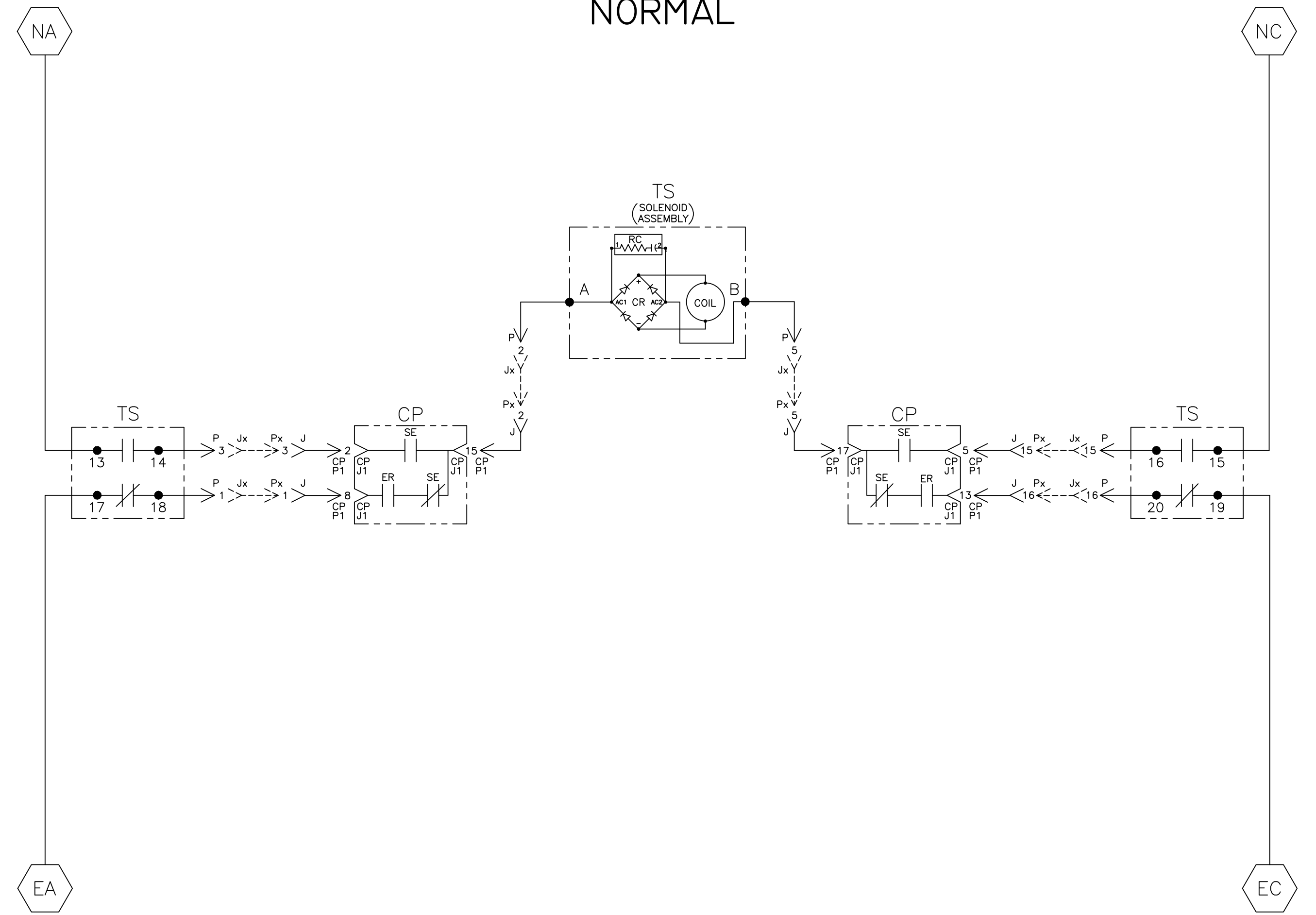
LOAD

OPTIONAL NEUTRAL TYPES  
 REFER TO "EXPLANATION OF CATALOG NUMBER CODES"  
 IN CATALOG NUMBER CHART ON SHEET 1.

- SWITCHING CONTACTS
- SOLID BUS PLATE

NORMAL

NOTE:  
 ATS/NTS SHOWN CLOSED ON NORMAL SOURCE.



EMERGENCY

TS	SOLENOID POSITION			
	CLOSED BEFORE NORMAL	BEFORE TDC	TDC	CLOSED BEFORE EMERG
13-14				
15-16				
17-18				
19-20				

TDC (TOP DEAD CENTER)  
 TRANSFER SWITCH TEST & ADJUSTMENT PROCEDURE  
 SPECIFIES CONTROL CUT-OFF (CONTACT OPENING)  
 SETTING.

PROJECT NAME: **WIRING DIAGRAM**

300 SERIES (H3ATS/H3NTS) 3PH 600-1200 AMPS  
 "H" FRAME, GROUP G CONTROLS

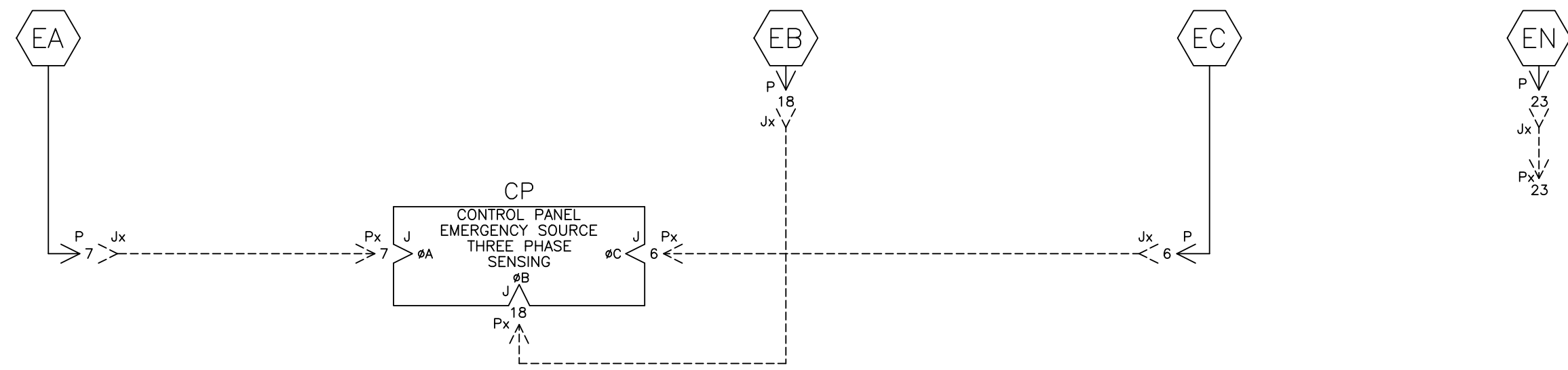
ASCO POWER TECHNOLOGIES, L.P.  
 FLORHAM PARK, NEW JERSEY 07932 U.S.A.

REV. TO SHEET: 245204 BK BK 11/07/13  
 ECN NO. BY APP. DATE

SCALE: NONE SIZE DS  
 DWG. NO. 1001657  
 DRAWING REV. NO. 245204 SHEET 3 OF 6

EMERGENCY SOURCE CIRCUITS

EMERGENCY



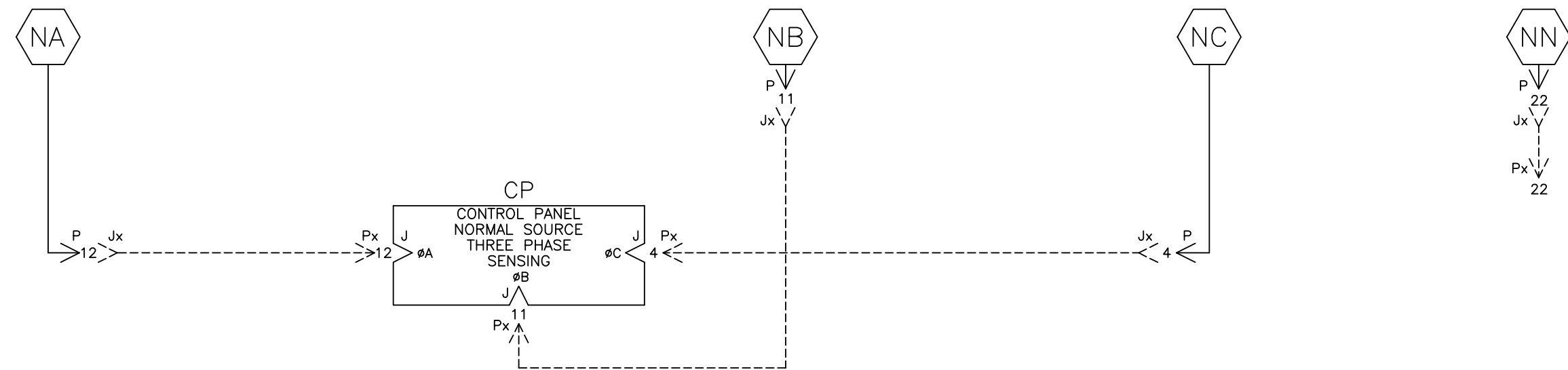
LOAD TERMINAL CIRCUITS

LOAD

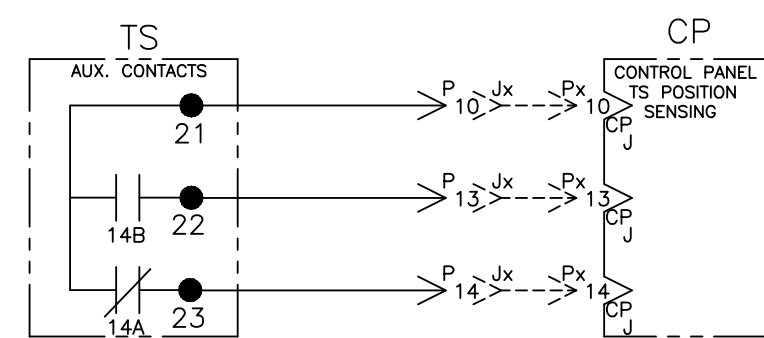


NORMAL SOURCE CIRCUITS

NORMAL



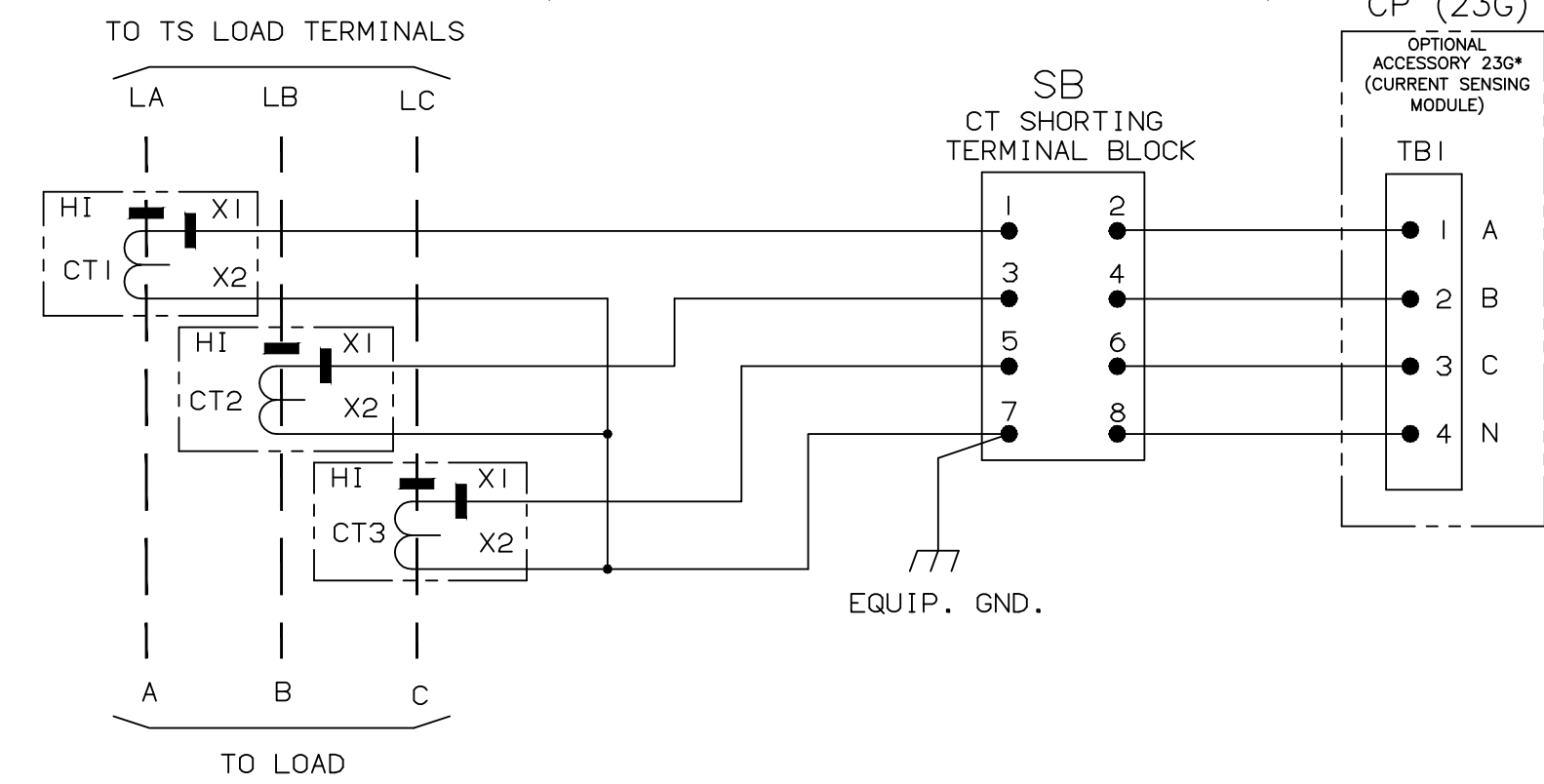
CONTROL CIRCUITS



ADDITIONAL CIRCUITS

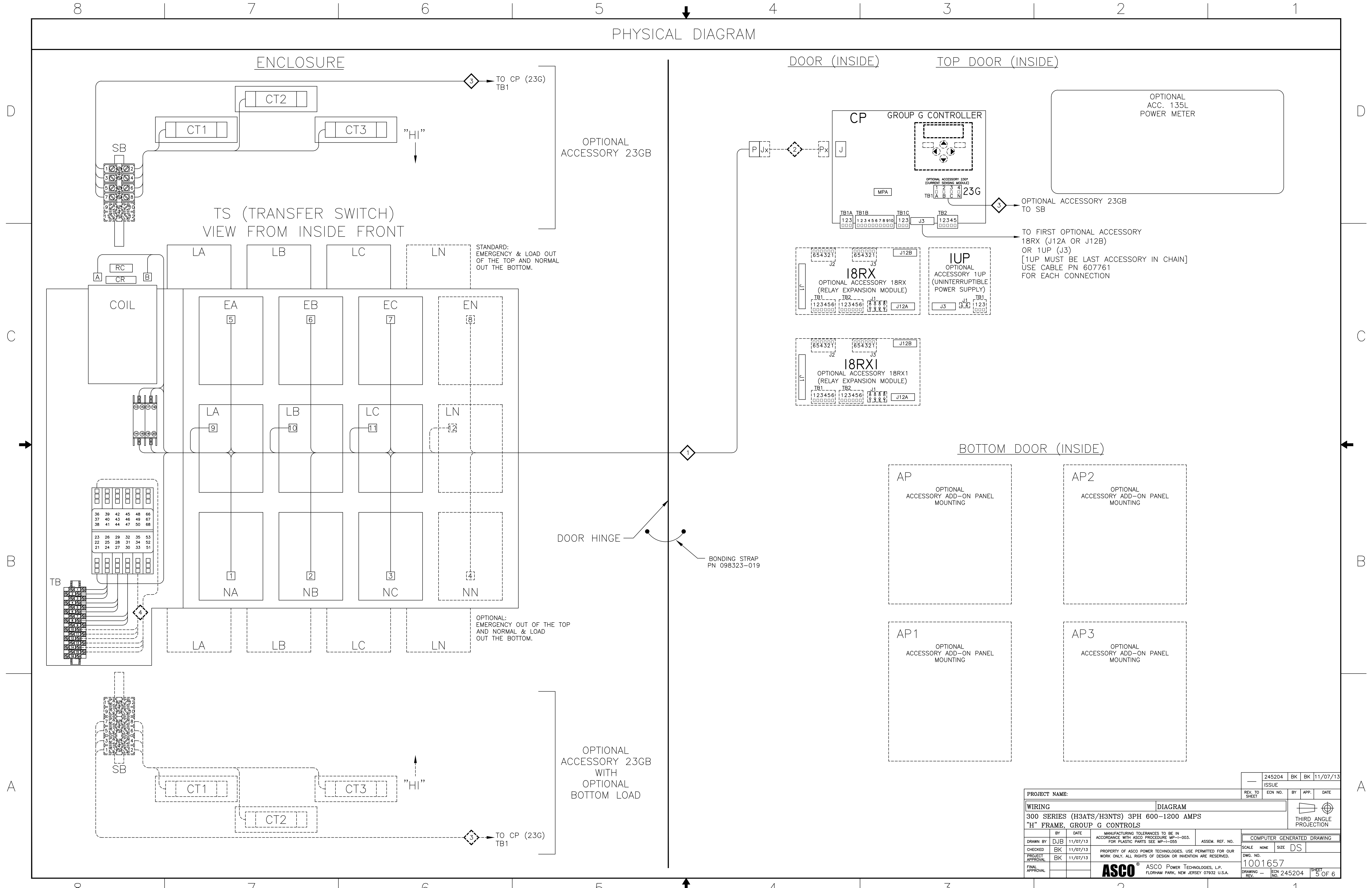
OPTIONAL ACCESSORY 23GB (LOAD CURRENT METERING)

SWITCH RATING	CT RATIO
600A	600:5A
800A	800:5A
1000A	1200:5A
1200A	1200:5A



PROJECT NAME:		245204	BK	BK	11/07/13
WIRING		DIAGRAM		REV. TO SHEET ECN NO. BY APP. DATE	
300 SERIES (H3ATS/H3NTS) 3PH 600-1200 AMPS					
"H" FRAME, GROUP G CONTROLS					
DRAWN BY	DJB	11/07/13	MANUFACTURING TOLERANCES TO BE IN ACCORDANCE WITH ASCO PROCEDURE MP-1-003. FOR PLASTIC PARTS SEE MP-1-055.		ASSEM. REF. NO.
CHECKED	BK	11/07/13	PROPERTY OF ASCO POWER TECHNOLOGIES. USE PERMITTED FOR OUR WORK ONLY. ALL RIGHTS OF DESIGN OR INVENTION ARE RESERVED.		SCALE NONE SIZE DS
PROJECT APPROVAL	BK	11/07/13	COMPUTER GENERATED DRAWING		DWG. NO. 1001657
FINAL APPROVAL			ASCO® ASCO Power Technologies, L.P. FLOHAM PARK, NEW JERSEY 07932 U.S.A.		DRAWING REV. ECN NO. 245204 SHEET 4 OF 6

PHYSICAL DIAGRAM



PROJECT NAME:		245204 BK BK 11/07/13	
WIRING		DIAGRAM	
300 SERIES (H3ATS/H3NTS) 3PH 600-1200 AMPS "H" FRAME, GROUP G CONTROLS			
BY	DATE	MANUFACTURING TOLERANCES TO BE IN ACCORDANCE WITH ASCO PROCEDURE MP-1-003. FOR PLASTIC PARTS SEE MP-1-055.	ASSEM. REF. NO.
DJB	11/07/13		
CHECKED	BK	PROPERTY OF ASCO POWER TECHNOLOGIES. USE PERMITTED FOR OUR WORK ONLY. ALL RIGHTS OF DESIGN OR INVENTION ARE RESERVED.	SCALE NONE SIZE DS
PROJECT APPROVAL	BK		DWS. NO. 1001657
FINAL APPROVAL			DRAWING REV. ECN NO. 245204 SHEET 5 OF 6

