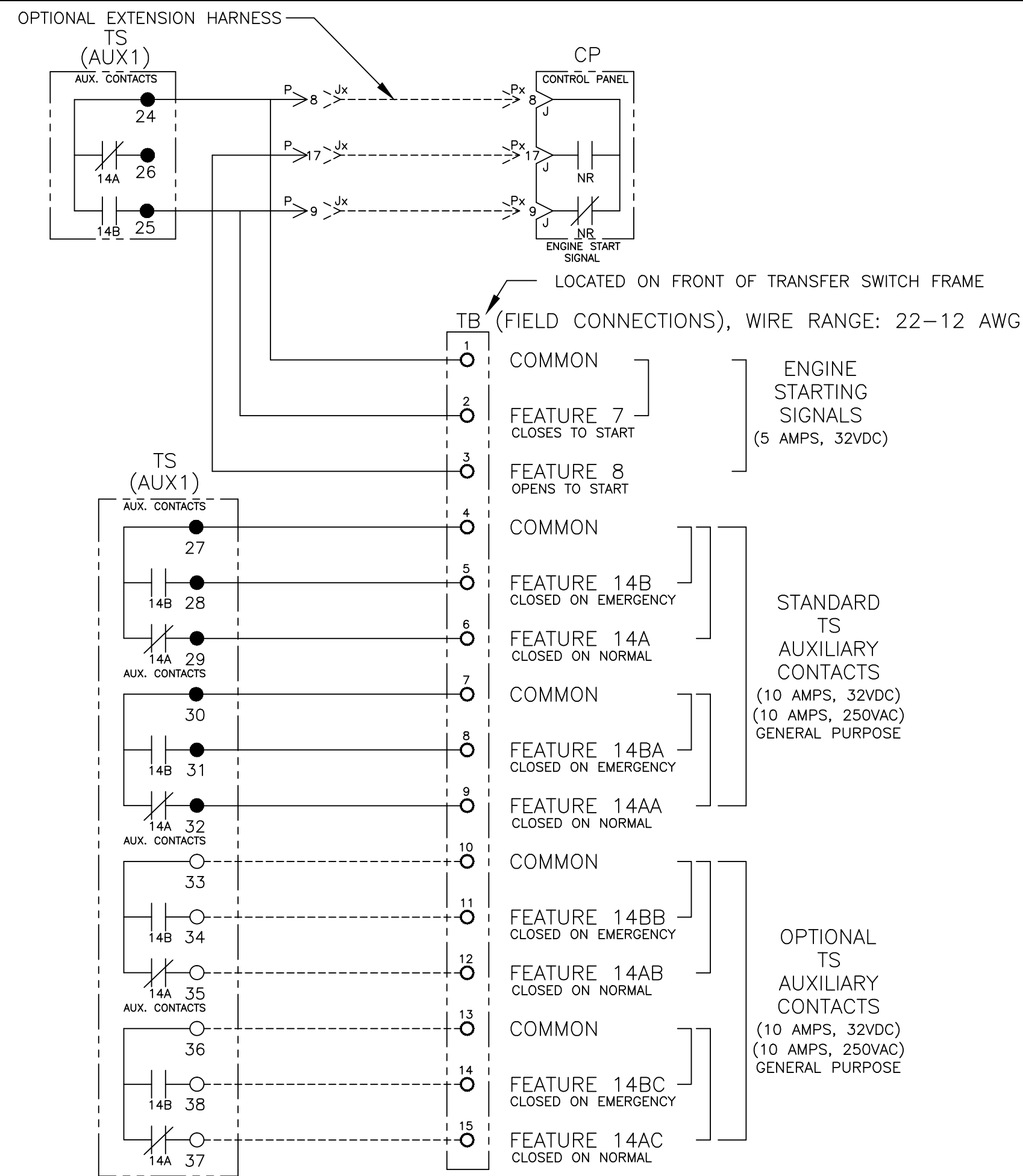
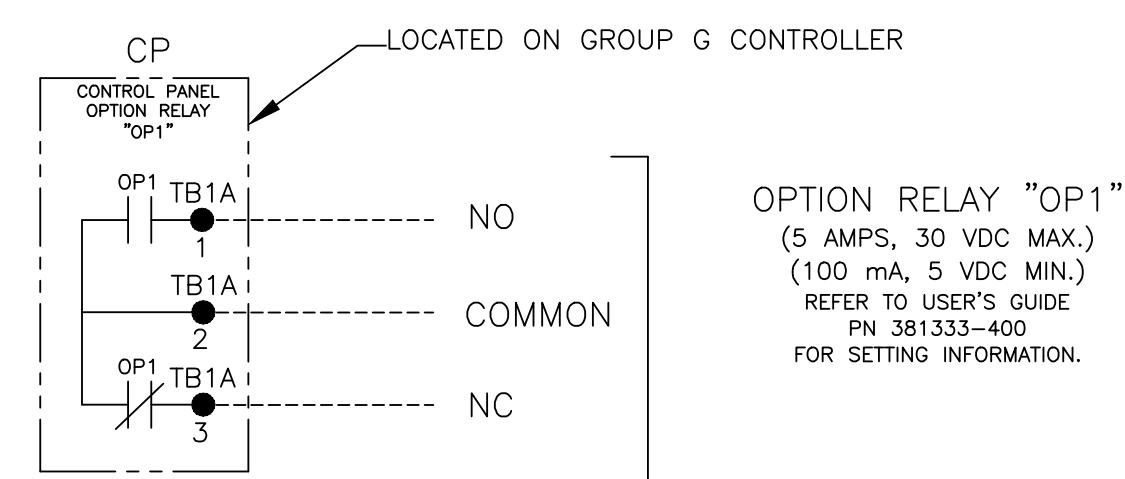




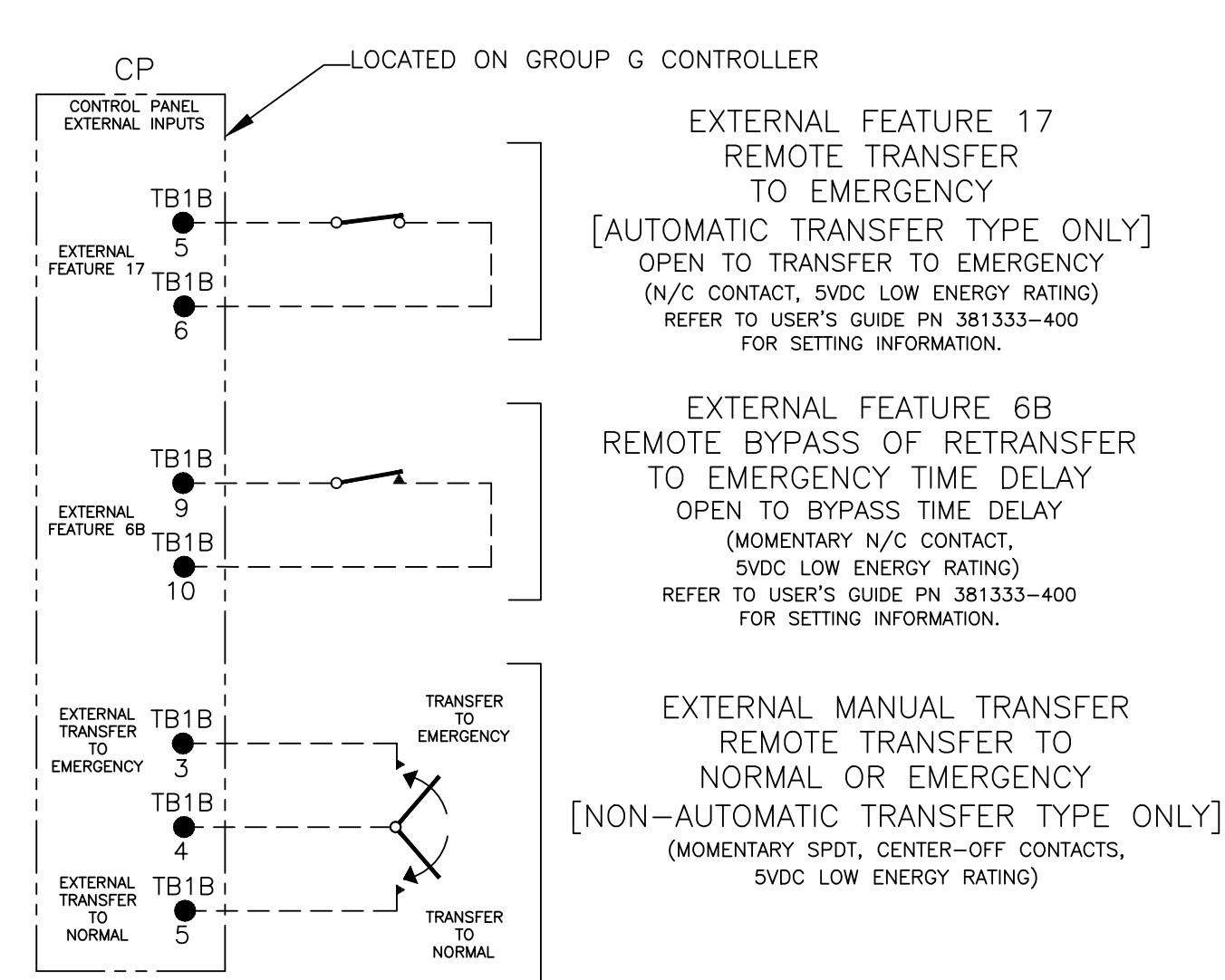
# FIELD CONNECTIONS



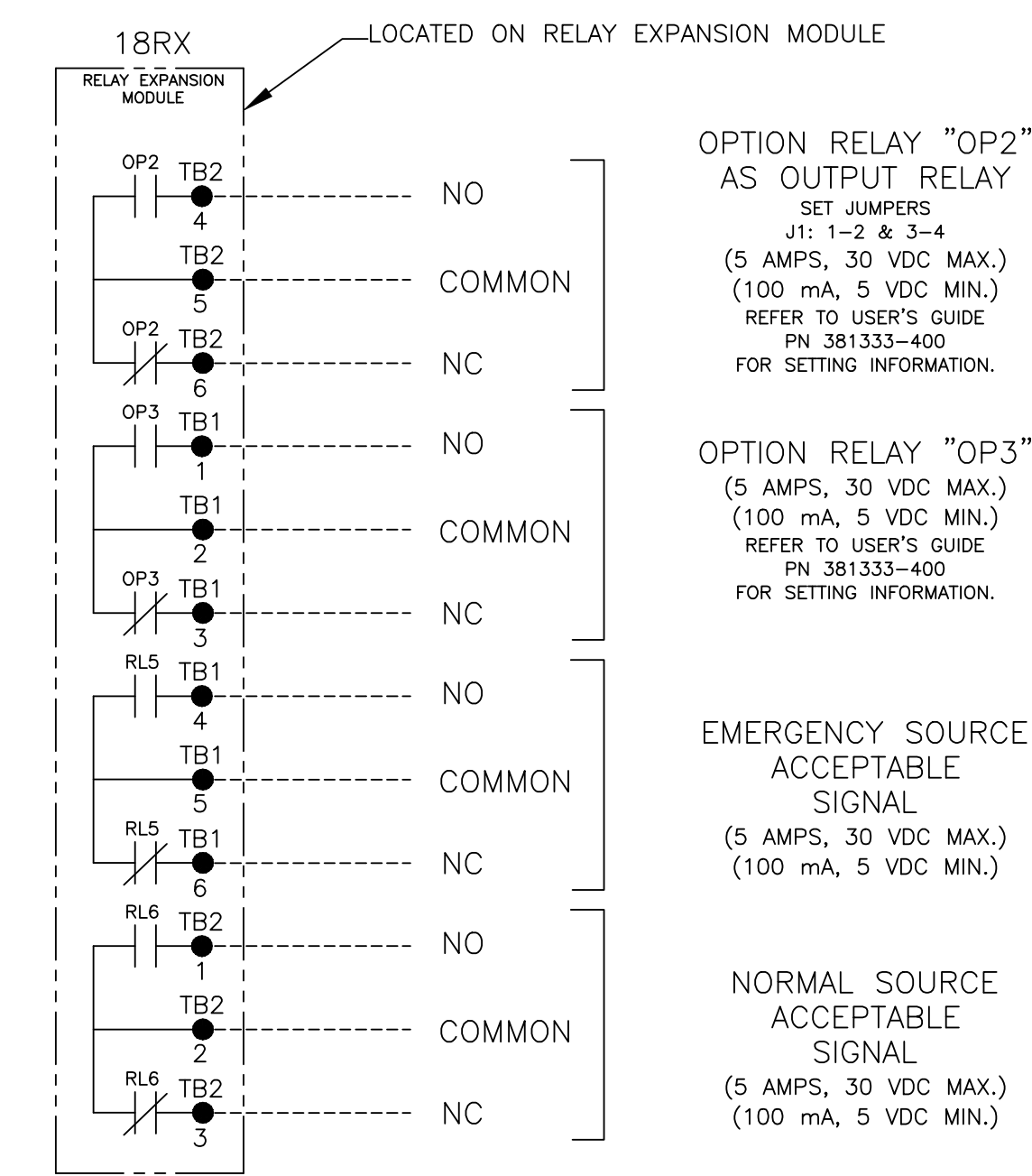
**CONTROLLER OPTION RELAY "OP1" (STANDARD)**



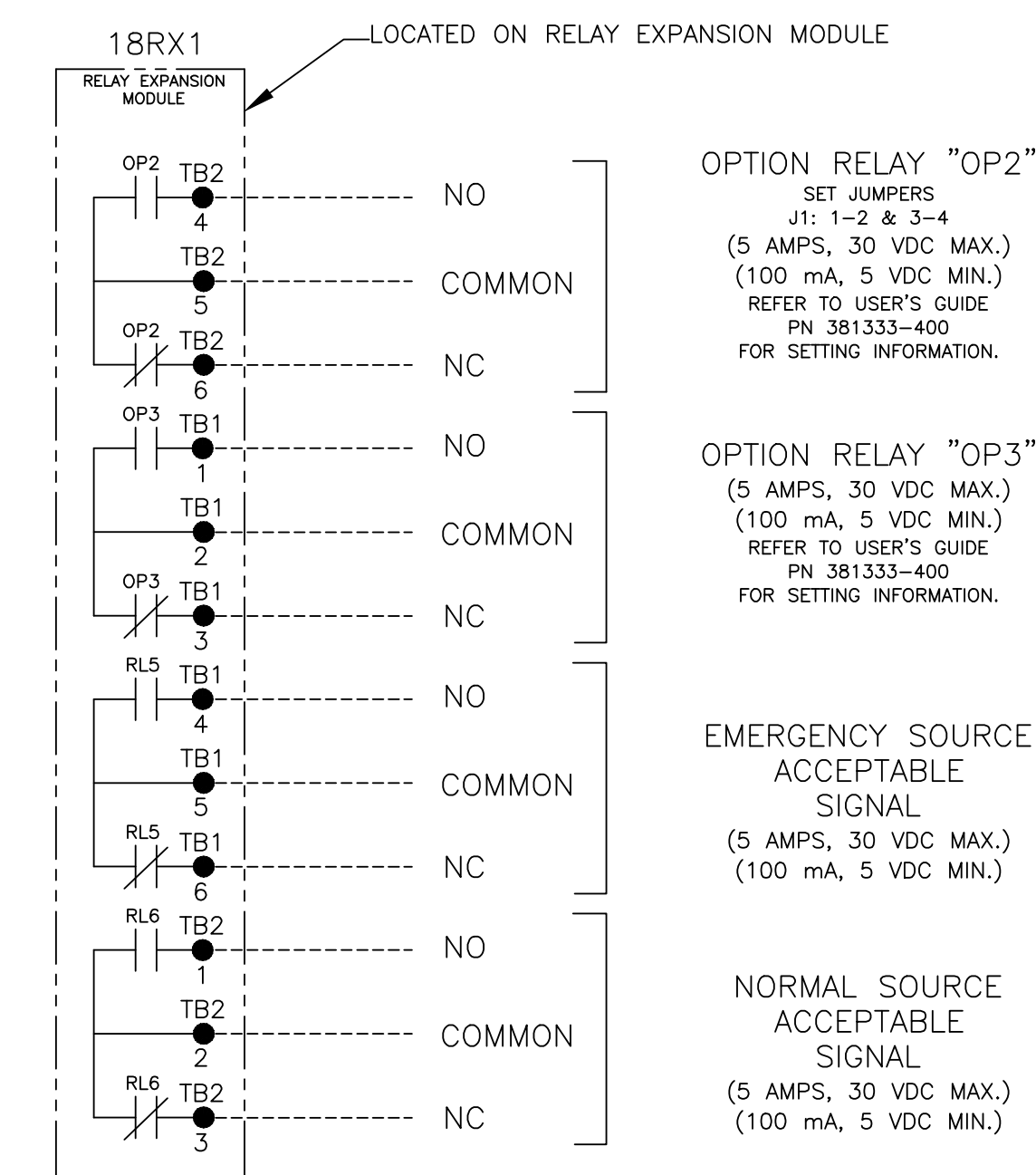
**CONTROLLER REMOTE CONTROL FEATURES**



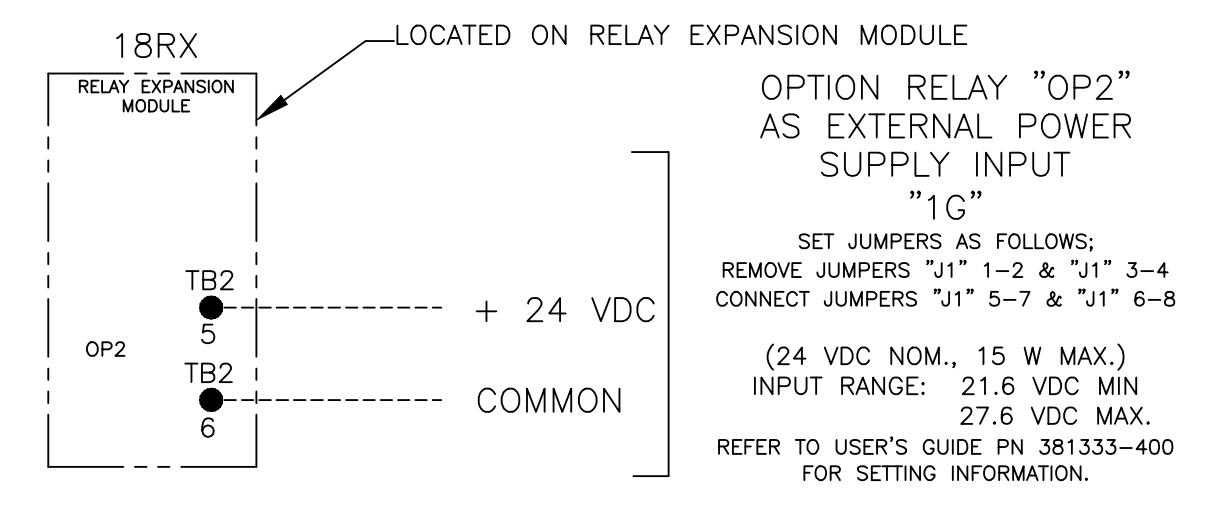
**OPTIONAL ACCESSORY 18RX (RELAY EXPANSION MODULE)**



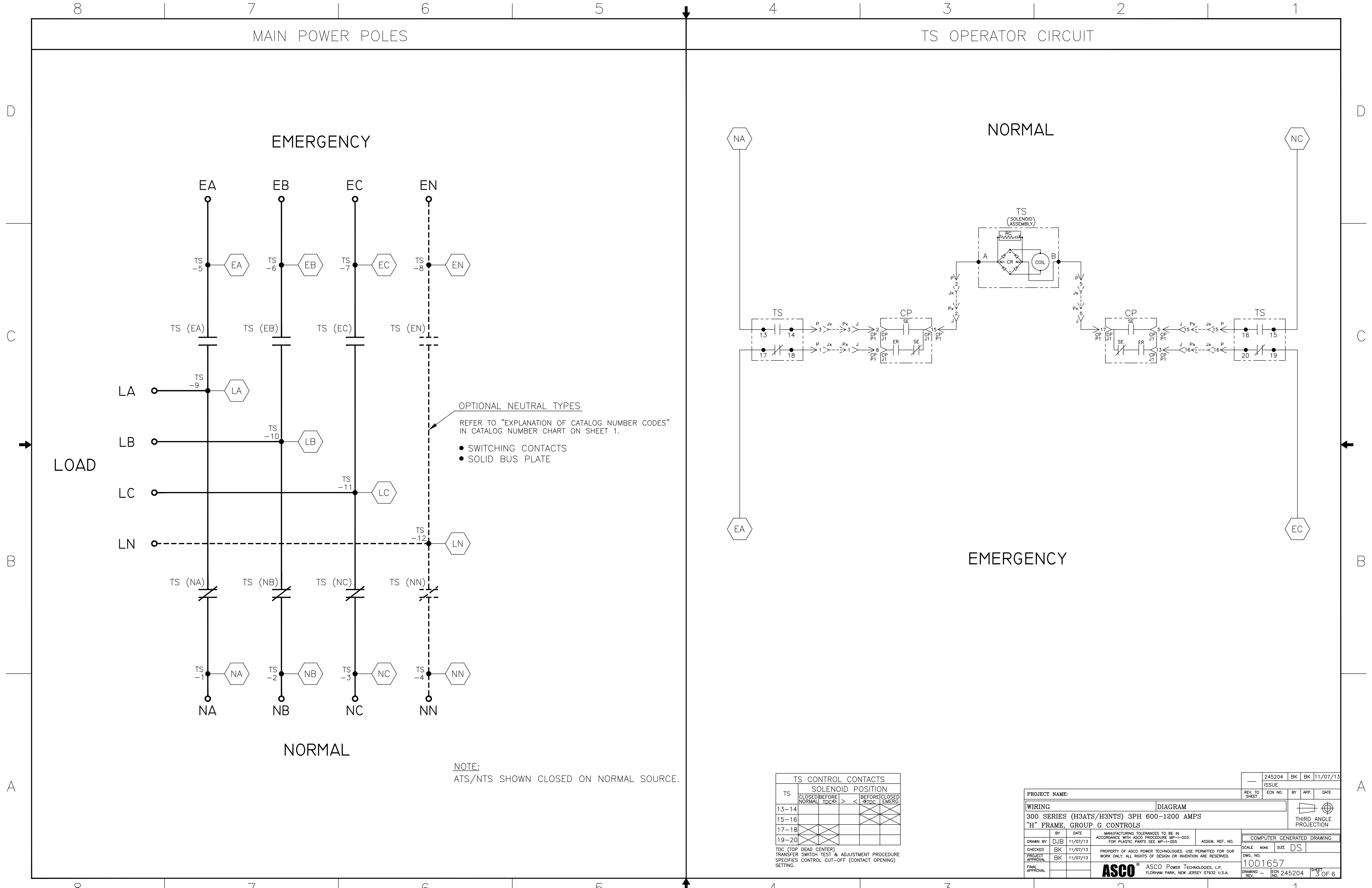
**OPTIONAL ACCESSORY 18RX1 (SECOND RELAY EXPANSION MODULE)**



"OP2" OPTIONAL USES



PROJECT NAME:		245204 BK BK 11/07/13	
WIRING DIAGRAM		ISSUE	
300 SERIES (H3ATS/H3NTS) 3PH 600-1200 AMPS		BY APP. DATE	
"H" FRAME, GROUP G CONTROLS		THIRD ANGLE PROJECTION	
DRAWN BY	DJB 11/07/13	MANUFACTURING TOLERANCES TO BE IN ACCORDANCE WITH ASCO PROCEDURE MP-1-003. FOR PLASTIC PARTS SEE MP-1-055.	ASSEM. REF. NO.
CHECKED	BK 11/07/13	PROPERTY OF ASCO POWER TECHNOLOGIES. USE PERMITTED FOR OUR WORK ONLY. ALL RIGHTS OF DESIGN OR INVENTION ARE RESERVED.	SCALE NONE SIZE DS
PROJECT APPROVAL	BK 11/07/13	COMPUTER GENERATED DRAWING	
FINAL APPROVAL		DWG. NO. 1001657	
<b>ASCO</b> ASCO POWER TECHNOLOGIES, L.P. FLORHAM PARK, NEW JERSEY 07932 U.S.A.		DRAWING NO. 245204 SHEET 2 OF 6	



OPTIONAL NEUTRAL TYPES  
 REFER TO "EXPLANATION OF CATALOG NUMBER CODES"  
 IN CATALOG NUMBER CHART ON SHEET 1.

- SWITCHING CONTACTS
- SOLID BUS PLATE

NOTE:  
 ATS/NTS SHOWN CLOSED ON NORMAL SOURCE.

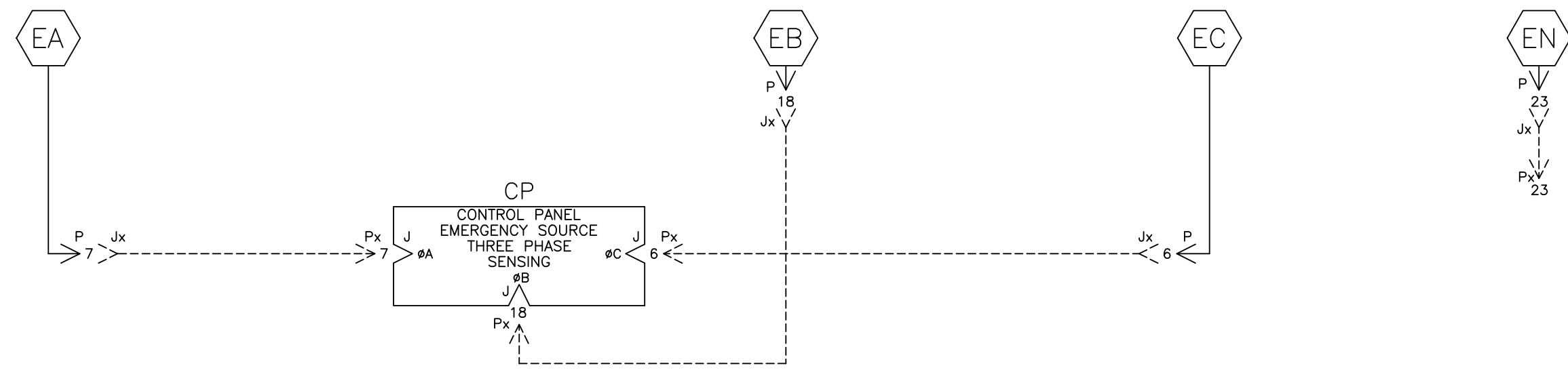
TS	SOLENOID POSITION			
	CLOSED BEFORE NORMAL	BEFORE TDC	TDC	CLOSED BEFORE EMERG
13-14				
15-16				
17-18				
19-20				

TDC (TOP DEAD CENTER)  
 TRANSFER SWITCH TEST & ADJUSTMENT PROCEDURE  
 SPECIFIES CONTROL CUT-OFF (CONTACT OPENING)  
 SETTING.

PROJECT NAME:		WIRING DIAGRAM		REV. TO SHEET	ECN NO.	BY	APP.	DATE
300 SERIES (H3ATS/H3NTS) 3PH 600-1200 AMPS "H" FRAME, GROUP G CONTROLS		ASSEMBLY REF. NO.		COMPUTER GENERATED DRAWING		SCALE NONE SIZE DS		
DRAWN BY	DJB	DATE	11/07/13	DWS. NO.		1001657		
CHECKED	BK	DATE	11/07/13	DRAWING REV.		NO. 245204 3 OF 6		
PROJECT APPROVAL	ASCO		ASCO POWER TECHNOLOGIES, L.P.		FLORHAM PARK, NEW JERSEY 07932 U.S.A.			

EMERGENCY SOURCE CIRCUITS

EMERGENCY



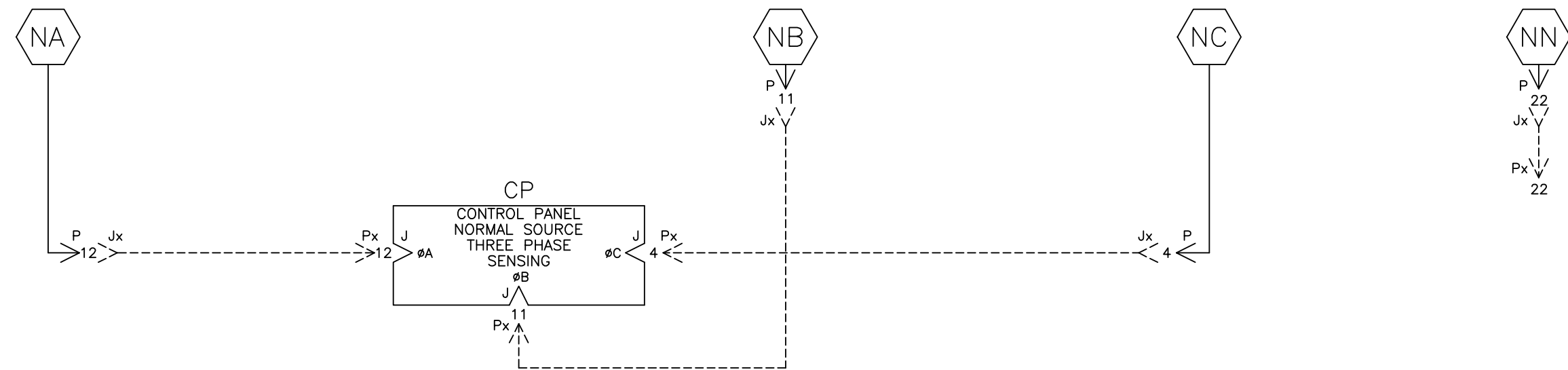
LOAD TERMINAL CIRCUITS

LOAD

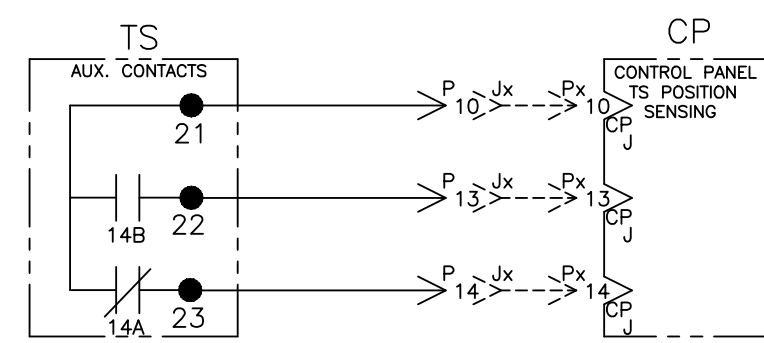


NORMAL SOURCE CIRCUITS

NORMAL



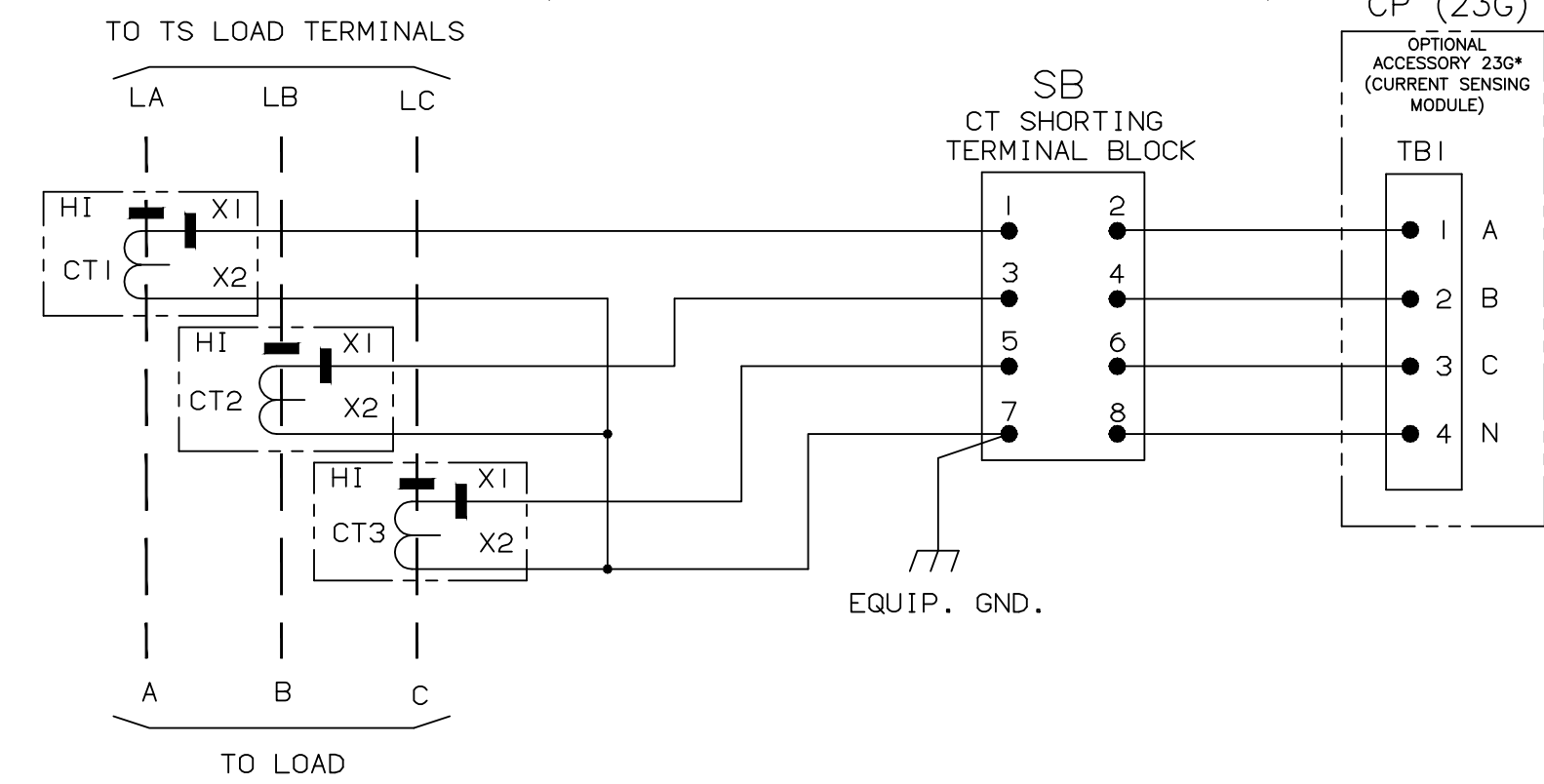
CONTROL CIRCUITS



ADDITIONAL CIRCUITS

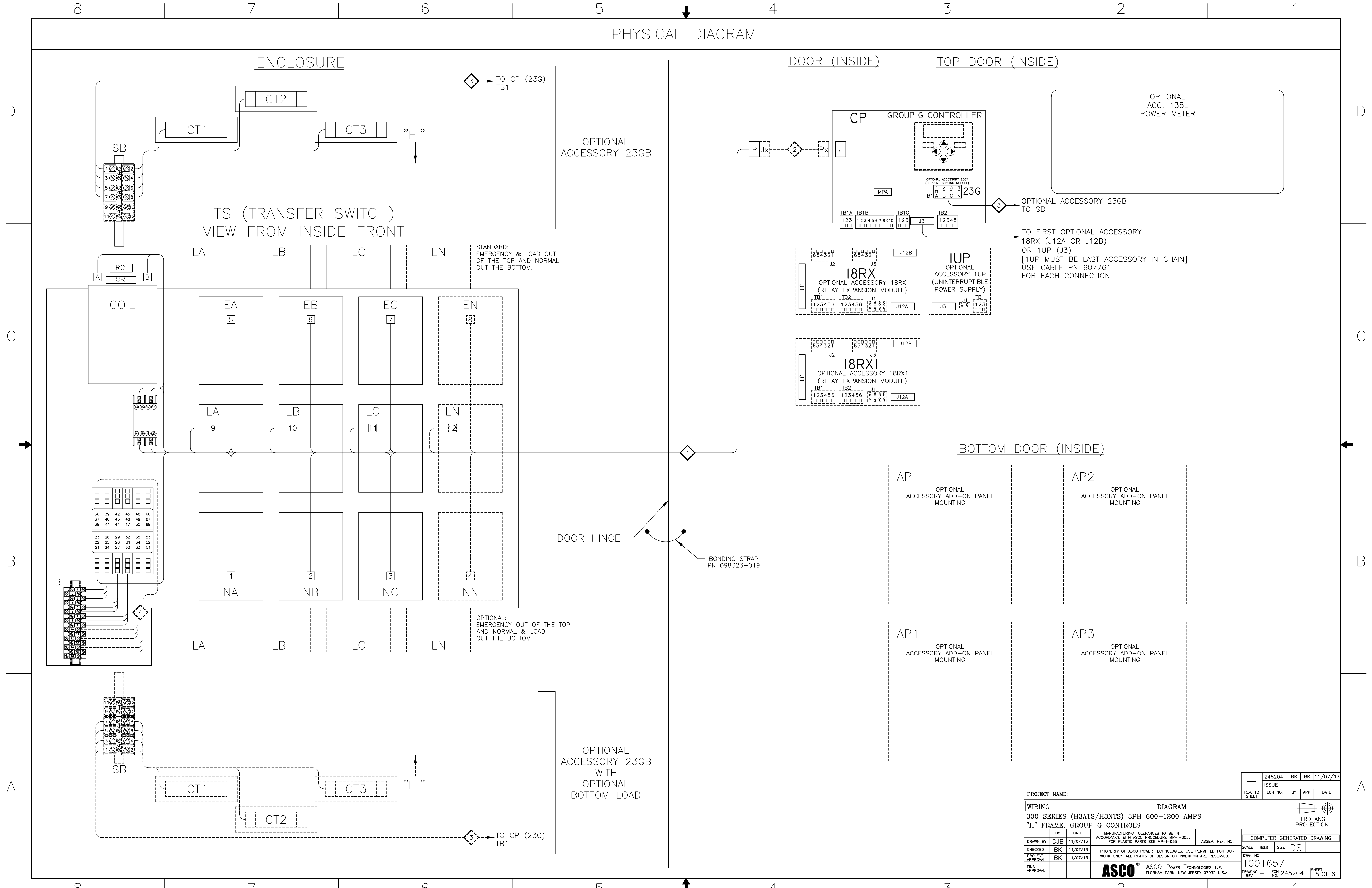
OPTIONAL ACCESSORY 23GB (LOAD CURRENT METERING)

SWITCH RATING	CT RATIO
600A	600:5A
800A	800:5A
1000A	1200:5A
1200A	1200:5A



PROJECT NAME:		245204	BK	BK	11/07/13
REV. TO SHEET	ISSUE	ECN NO.	BY	APP.	DATE
WIRING DIAGRAM					
300 SERIES (H3ATS/H3NTS) 3PH 600-1200 AMPS					
"H" FRAME, GROUP G CONTROLS					
DRAWN BY	DJB	DATE	11/07/13	ASSEM. REF. NO.	
CHECKED	BK	DATE	11/07/13	PROPERTY OF ASCO POWER TECHNOLOGIES. USE PERMITTED FOR OUR WORK ONLY. ALL RIGHTS OF DESIGN OR INVENTION ARE RESERVED.	SCALE NONE SIZE DS
PROJECT APPROVAL	BK	DATE	11/07/13	COMPUTER GENERATED DRAWING	DWG. NO. 1001657
FINAL APPROVAL		DATE		ASCO® ASCO Power Technologies, L.P. FLORHAM PARK, NEW JERSEY 07932 U.S.A.	DRAWING REV. ECN NO. 245204 SHEET 4 OF 6

PHYSICAL DIAGRAM



OPTIONAL ACCESSORY 23GB

DOOR (INSIDE)

TOP DOOR (INSIDE)

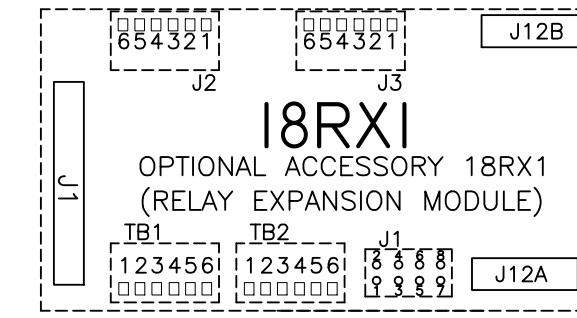
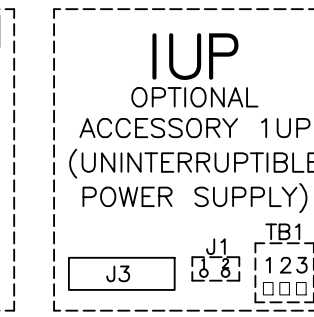
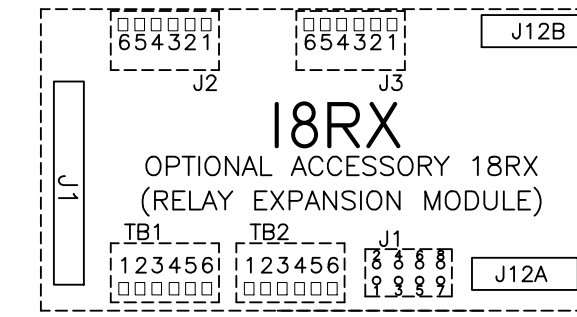
OPTIONAL ACC. 135L POWER METER

TS (TRANSFER SWITCH)  
VIEW FROM INSIDE FRONT

STANDARD:  
EMERGENCY & LOAD OUT  
OF THE TOP AND NORMAL  
OUT THE BOTTOM.

OPTIONAL ACCESSORY 23GB  
TO SB

TO FIRST OPTIONAL ACCESSORY  
18RX (J12A OR J12B)  
OR 1UP (J3)  
[1UP MUST BE LAST ACCESSORY IN CHAIN]  
USE CABLE PN 607761  
FOR EACH CONNECTION



BOTTOM DOOR (INSIDE)

DOOR HINGE

BONDING STRAP  
PN 098323-019

AP  
OPTIONAL ACCESSORY ADD-ON PANEL MOUNTING

AP2  
OPTIONAL ACCESSORY ADD-ON PANEL MOUNTING

AP1  
OPTIONAL ACCESSORY ADD-ON PANEL MOUNTING

AP3  
OPTIONAL ACCESSORY ADD-ON PANEL MOUNTING

OPTIONAL ACCESSORY 23GB  
WITH  
OPTIONAL  
BOTTOM LOAD

PROJECT NAME:		245204 BK BK 11/07/13	
WIRING		DIAGRAM	
300 SERIES (H3ATS/H3NTS) 3PH 600-1200 AMPS "H" FRAME, GROUP G CONTROLS			
BY	DATE	MANUFACTURING TOLERANCES TO BE IN ACCORDANCE WITH ASCO PROCEDURE MP-1-003. FOR PLASTIC PARTS SEE MP-1-055.	ASSEM. REF. NO.
DRAWN BY	DJB 11/07/13		
CHECKED	BK 11/07/13	PROPERTY OF ASCO POWER TECHNOLOGIES. USE PERMITTED FOR OUR WORK ONLY. ALL RIGHTS OF DESIGN OR INVENTION ARE RESERVED.	
PROJECT APPROVAL	BK 11/07/13		
FINAL APPROVAL			
SCALE NONE SIZE DS		COMPUTER GENERATED DRAWING	
DWG. NO. 1001657		REV. NO. 245204 SHEET 5 OF 6	
ASCO® ASCO Power Technologies, L.P. FLORHAM PARK, NEW JERSEY 07932 U.S.A.			

WIRE RUN LISTING

1 ← HARNESS LOCATOR		BOX CHECKED IF HARNESS IS MODIFIED	
WIRE No.	HARNESS 7130B2 (P) MAIN TS	CLR	AWG
1	P-1,TS-1B		16
2	P-2,TS-A		
3	P-3,TS-14		
4	P-4,TS-3		
4	TS-3,TS-15		
5	P-5,TS-B		
6	P-6,TS-7		
6	TS-7,TS-19		
7	P-7,TS-5		
7	TS-5,TS-17		
8	P-8,TS-24		
8	TS-24,TB-1		
9	P-9,TS-25		
9	TS-25,TB-2		
10	P-10,TS-21		
11	P-11,TS-2		
12	P-12,TS-1		
12	TS-1,TS-13		
13	P-13,TS-22		
14	P-14,TS-23		
15	P-15,TS-16		
16	P-16,TS-20		
17	P-17,TB-3		
18	P-18,TS-6		
19	P-19,TS-9		
20	P-20,TS-10		
21	P-21,TS-11		
22	P-22,TS-4		
23	P-23,TS-8		
24	P-24,TS-12		
25	TS-27,TB-4		
26	TS-28,TB-5		
27	TS-29,TB-6		
ADD WIRES			
31	TS-30,TB-7		
32	TS-31,TB-8		
33	TS-32,TB-9		

2 ← HARNESS LOCATOR		BOX CHECKED IF HARNESS IS MODIFIED	
WIRE No.	HARNESS 309320-005 (Px,Jx OPTIONAL 8" EXTENSION HARNESS)	CLR	AWG
1	Px-1,Jx-1		16
2	Px-2,Jx-2		
3	Px-3,Jx-3		
4	Px-4,Jx-4		
5	Px-5,Jx-5		
6	Px-6,Jx-6		
7	Px-7,Jx-7		
8	Px-8,Jx-8		
9	Px-9,Jx-9		
10	Px-10,Jx-10		
11	Px-11,Jx-11		
12	Px-12,Jx-12		
13	Px-13,Jx-13		
14	Px-14,Jx-14		
15	Px-15,Jx-15		
16	Px-16,Jx-16		
17	Px-17,Jx-17		
18	Px-18,Jx-18		
19	Px-19,Jx-19		
20	Px-20,Jx-20		
21	Px-21,Jx-21		
22	Px-22,Jx-22		
23	Px-23,Jx-23		
24	Px-24,Jx-24		
REMOVE WIRES			
ADD WIRES			

4 ← HARNESS LOCATOR		BOX CHECKED IF HARNESS IS MODIFIED	
WIRE No.	OPTIONAL AUX. CONTACTS	CLR	AWG
35	TB-10,TS(AUX1)-33		16
36	TB-11,TS(AUX1)-34		
37	TB-12,TS(AUX1)-35		
38	TB-13,TS(AUX1)-36		
39	TB-14,TS(AUX1)-38		
40	TB-15,TS(AUX1)-37		

3 ← HARNESS LOCATOR			
WIRE No.	OPTIONAL ACCESSORY 23GB (CT,SB,CP(23G)-TB1)	CLR	AWG
300	CT1-X1,SB-1		16
301	CT2-X1,SB-3		
302	CT3-X1,SB-5		
300	SB-2,CP(23G)-TB1-1		
301	SB-4,CP(23G)-TB1-2		
302	SB-6,CP(23G)-TB1-3		
303	CT1-X2,CT2-X2	GRN	
303	CT2-X2,CT3-X2	GRN	
303	CT3-X2,SB-7	GRN	
303	SB-7,EQUIP-GND	GRN	
303	SB-8,CP(23G)-TB1-4	GRN	

WIRE No.	ADDITIONAL WIRES	CLR	AWG

PROJECT NAME:		245204 BK BK 11/07/13
WIRING DIAGRAM		ISSUE
300 SERIES (H3ATS/H3NTS) 3PH 600-1200 AMPS "H" FRAME, GROUP G CONTROLS		REV. TO SHEET ECN NO. BY APP. DATE
THIRD ANGLE PROJECTION		
DRAWN BY	DJB 11/07/13	COMPUTER GENERATED DRAWING
CHECKED	BK 11/07/13	SCALE NONE SIZE DS
PROJECT APPROVAL	BK 11/07/13	DWG. NO. 1001657
FINAL APPROVAL		DRAWING REV. ECN NO. 245204 SHEET 6 OF 6