

UCI224D  
Winding 06

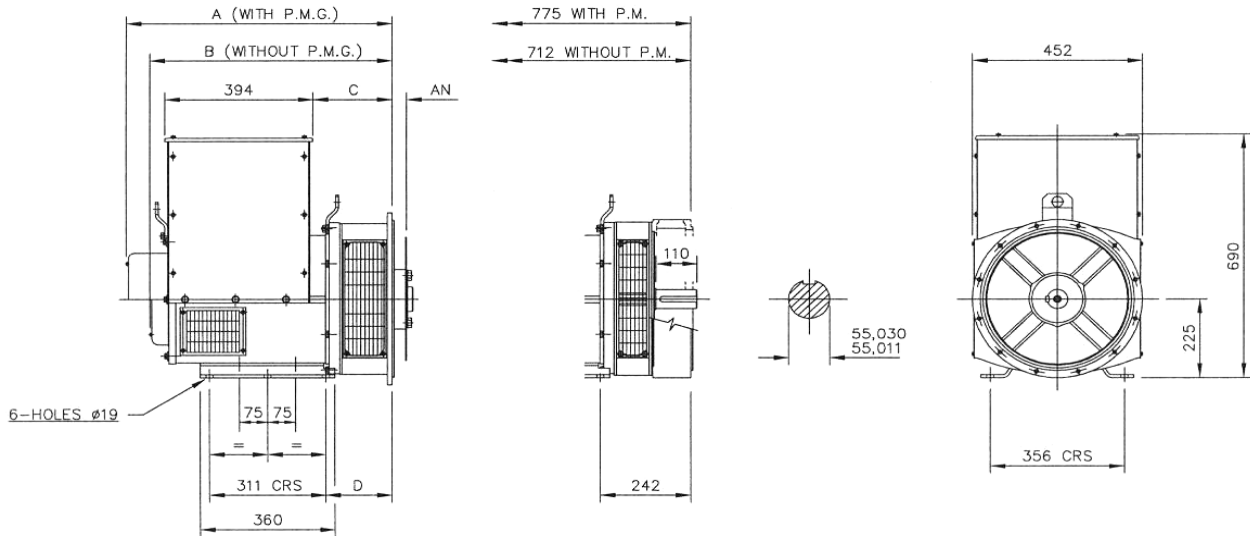
**STAMFORD**

**60Hz**

**RATINGS**

Class - Temp Rise	Cont. F - 105/40°C <b>0.8pf</b>			Cont. H - 125/40°C <b>0.8pf</b>			Cont. F - 105/40°C <b>1.0pf</b>			Cont. H - 125/40°C <b>1.0pf</b>		
	Series (V)	220	230	240	220	230	240	220	230	240	220	230
Parallel (V)	110	115	120	110	115	120	110	115	120	110	115	120
kVA	40.0	40.0	40.0	44.0	44.0	44.0	40.0	40.0	40.0	44.0	44.0	44.0
kW	32.0	32.0	32.0	35.2	35.2	35.2	40.0	40.0	40.0	44.0	44.0	44.0
Efficiency (%)	79.4	80.1	80.6	78.6	79.4	80.0	83.4	84.0	84.5	82.7	83.4	84.0
kW Input	40.3	40.0	39.7	44.8	44.3	44.0	48.0	47.6	47.3	53.2	52.8	52.4

APPROVE  
DIMENSIONS



SINGLE BEARING MACHINES ONLY						
ADAPTOR	A	B	C	D	COUPLING DISCS	AN
SAE 1	724,3	661,3	224,3	191,3	SAE 8	61,90
SAE 2	710	647	210	177	SAE 10	53,98
SAE 3	710	647	210	177	SAE 11,5	39,68
SAE 4	710	647	210	177	SAE 14	25,40